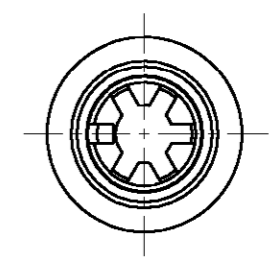
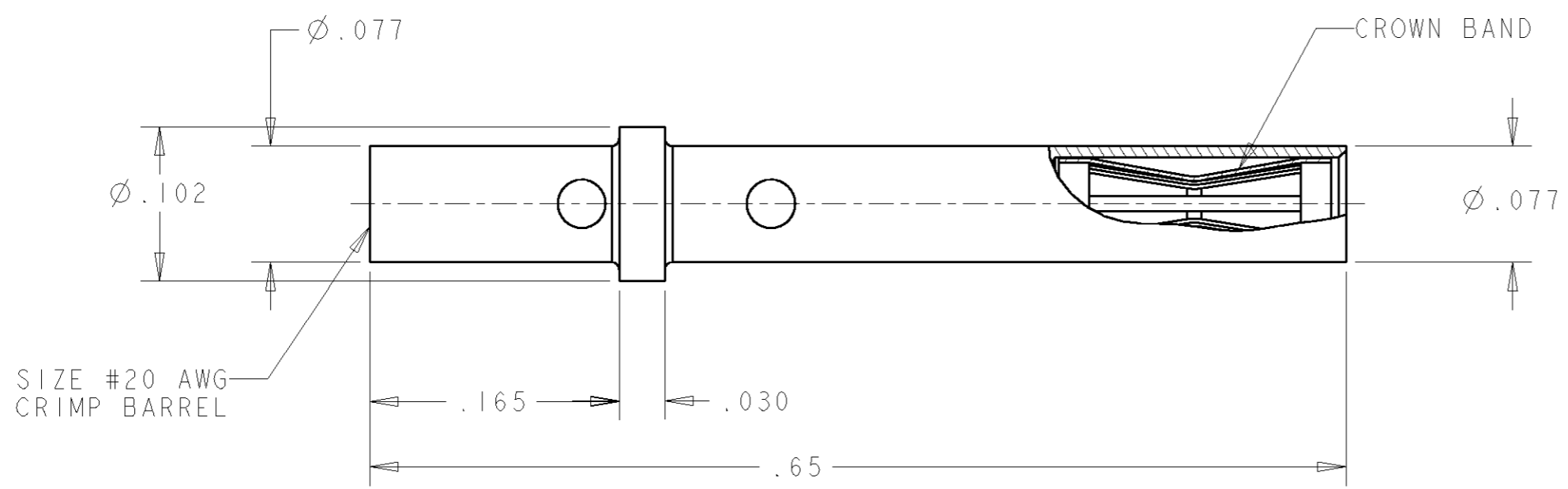


THIS DRAWING IS UNPUBLISHED. RELEASED FOR PUBLICATION 20  
 © COPYRIGHT BY ALL RIGHTS RESERVED.

LOC	DIST	REVISIONS					
GP	00	P	LTR	DESCRIPTION	DATE	DWN	APVD
		A1		REVISED PER ECO-11-005294	30APR11	RK	HMR



1. PART NUMBER CHANGES AND/OR DESIGN CHANGES AFFECTING ITEM INTERCHANGEABILITY REQUIRES PRIOR TYCO APPROVAL AND AUTHORIZATION BY REVISION TO THIS DRAWING.

2 MATERIAL:  
 BODY: COPPER ALLOY  
 CROWN BAND: BERYLLIUM COPPER

3 FINISH:  
 BODY: GOLD PLATE .000010 MIN THK. OVER NICKEL  
 .000040 MIN THK.  
 CROWN BAND: GOLD PLATE .000030 MIN THK. IN CONTACT AREA  
 OVER NICKEL .000040 MIN THK.

4. ITEMS PROVIDED TO THIS SPECIFICATION TO BE PERMANENTLY IDENTIFIED ON THE CONTAINER PER THE FOLLOWING IDENTIFIER:

AS SHOWN	1648325-1
DESCRIPTION	PART NUMBER

TE CONNECTIVITY NUMBER: XXXXXXXX-X  
 DATE CODE (eg. 0216): YEAR WEEK  
 XXXX

DWN R.GRZYBOWSKI 07 JUN 2006			
CHK S.FLICKINGER 07 JUN 2006			
APVD S.FLICKINGER 07 JUN 2006			
DIMENSIONS: INCHES		NAME CONTACT, SOCKET, SIZE NO. 20 CRIMP STYLE, LOW INSERTION FORCE	
TOLERANCES UNLESS OTHERWISE SPECIFIED:		PRODUCT SPEC -	
0 PLC ±-		APPLICATION SPEC -	
1 PLC ±-		WEIGHT -	
2 PLC ±.01		SIZE A3	
3 PLC ±.005		CAGE CODE 00779	
4 PLC ±-		DRAWING NO C-1648325	
ANGLES ±.5		RESTRICTED TO -	
MATERIAL 2	FINISH 3	SCALE 10:1	
CUSTOMER DRAWING		SHEET 1 OF 1 REV A1	

单击下面可查看定价，库存，交付和生命周期等信息

[>>TE Connectivity\(泰科\)](#)