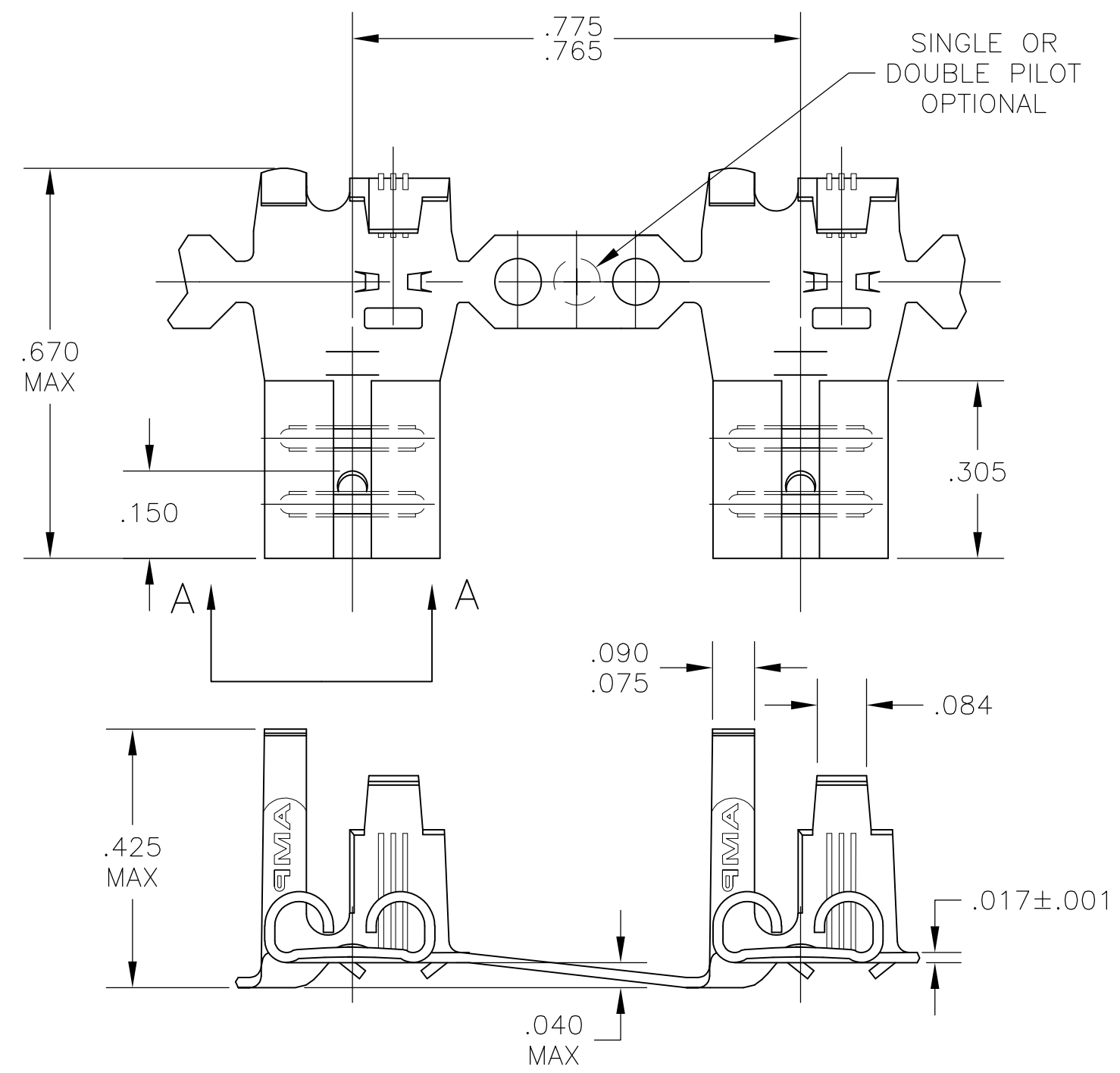
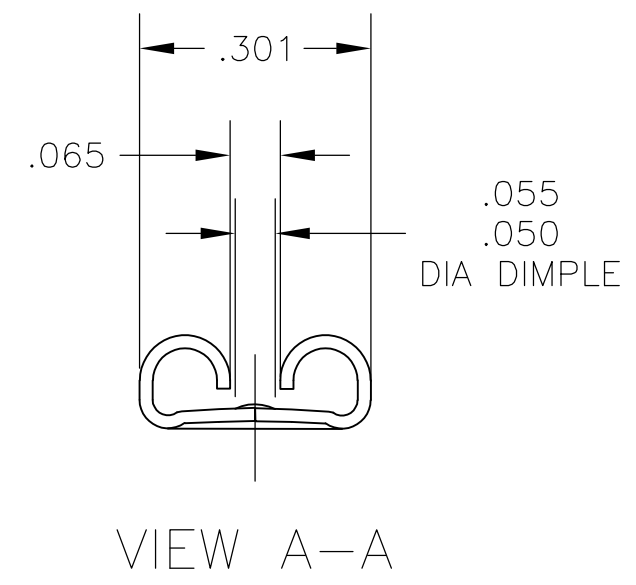


THIS DRAWING IS UNPUBLISHED. RELEASED FOR PUBLICATION  
 © COPYRIGHT - By - ALL RIGHTS RESERVED.

LOC	DIST	REVISIONS			
P	LTR	DESCRIPTION	DATE	DWN	APVD
AF	50	C	REVISED PER ECR-12-013518	23NOV2012	KH PD



- 1 CONTINUOUS STRIP ON REELS
- 2 MATING TAB THK IS .032±.001.
- 3 WIRE SIZE IS #18-#12 AWG
- 4 INSULATION RANGE IS .110-.210 DIA.



63517-1  
PART NO.

THIS DRAWING IS A CONTROLLED DOCUMENT.		DWN	JR RUTH	15OCT2002	TE Connectivity				
DIMENSIONS: INCHES		CHK	P DESANTIS	16OCT02				NAME	
		TOLERANCES UNLESS OTHERWISE SPECIFIED:		APVD	RECEPTACLE, FLAG, FASTON, .250 SERIES				
MATERIAL: BRASS		FINISH: TIN		P DESANTIS	16OCT02	PRODUCT SPEC			
				APPLICATION SPEC		SIZE	CAGE CODE	DRAWING NO	RESTRICTED TO
				WEIGHT		A3 00779		C-63517	
				CUSTOMER DRAWING		SCALE	4:1	SHEET	1 OF 1
								REV	C

单击下面可查看定价，库存，交付和生命周期等信息

[>>TE Connectivity\(泰科\)](#)