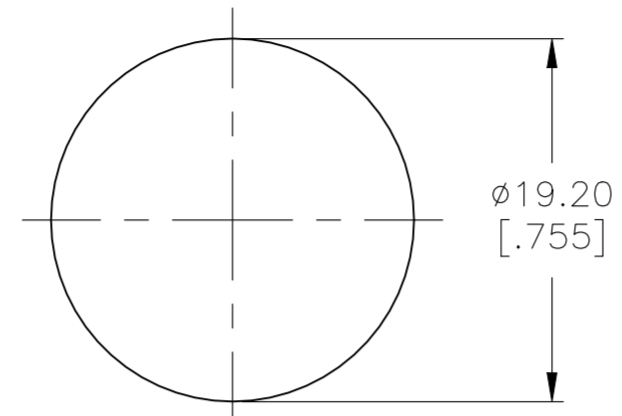
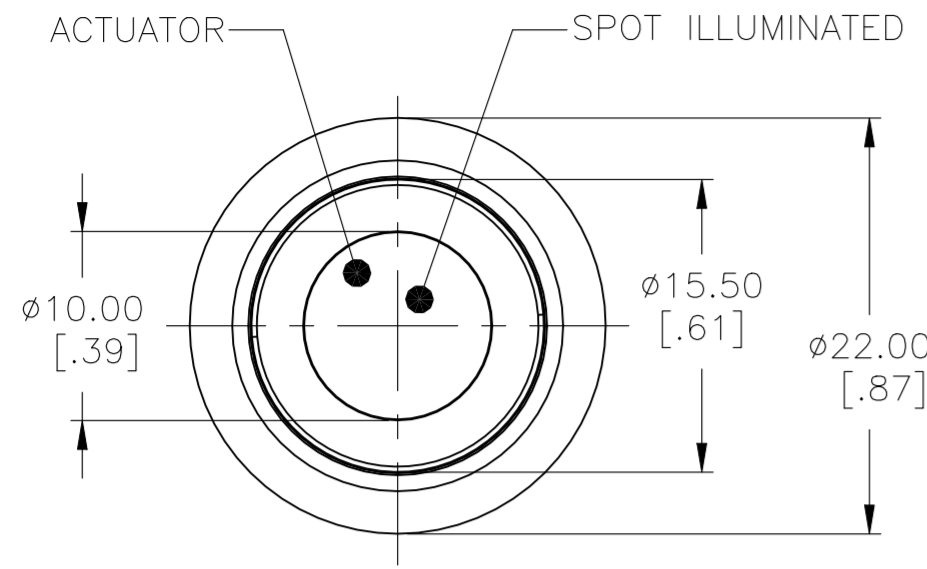


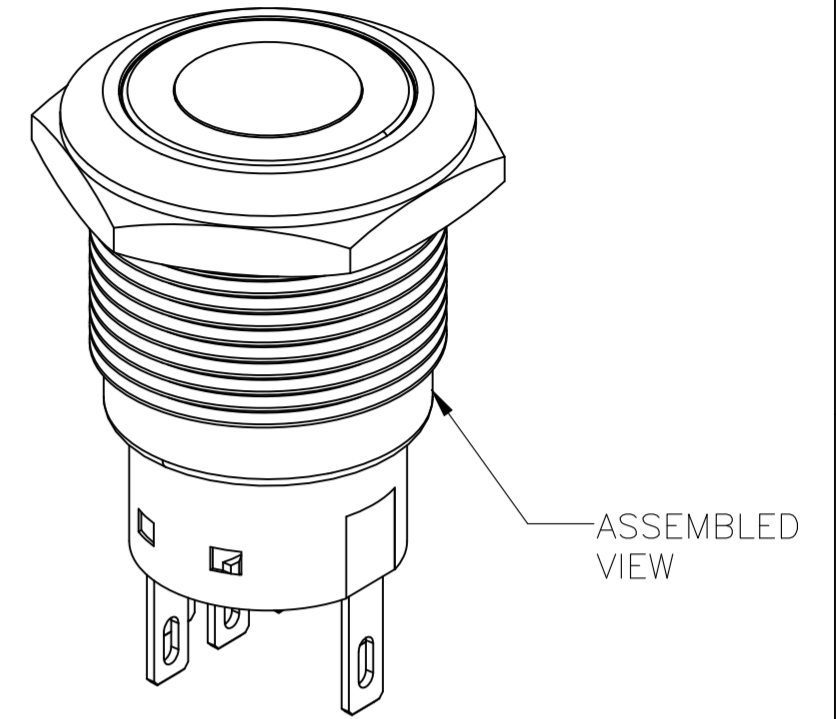
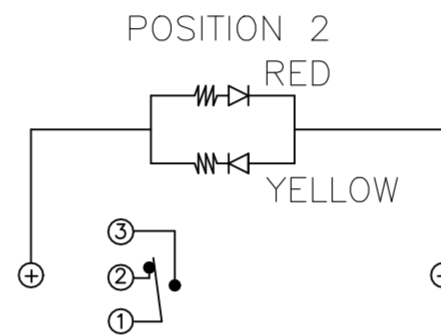
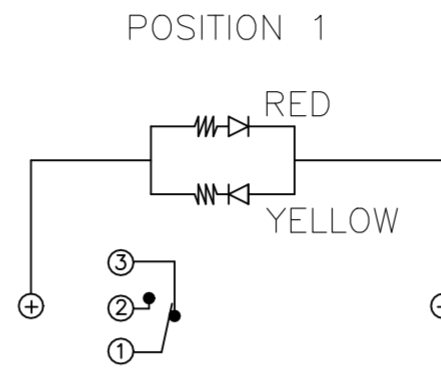
THIS DRAWING IS UNPUBLISHED. RELEASED FOR PUBLICATION
 © COPYRIGHT - TE Connectivity ALL RIGHTS RESERVED.

REVISIONS					
P	LTR	DESCRIPTION	DATE	DWN	APVD
A1		ECO-21-006709	18JUN2021	RK	AS

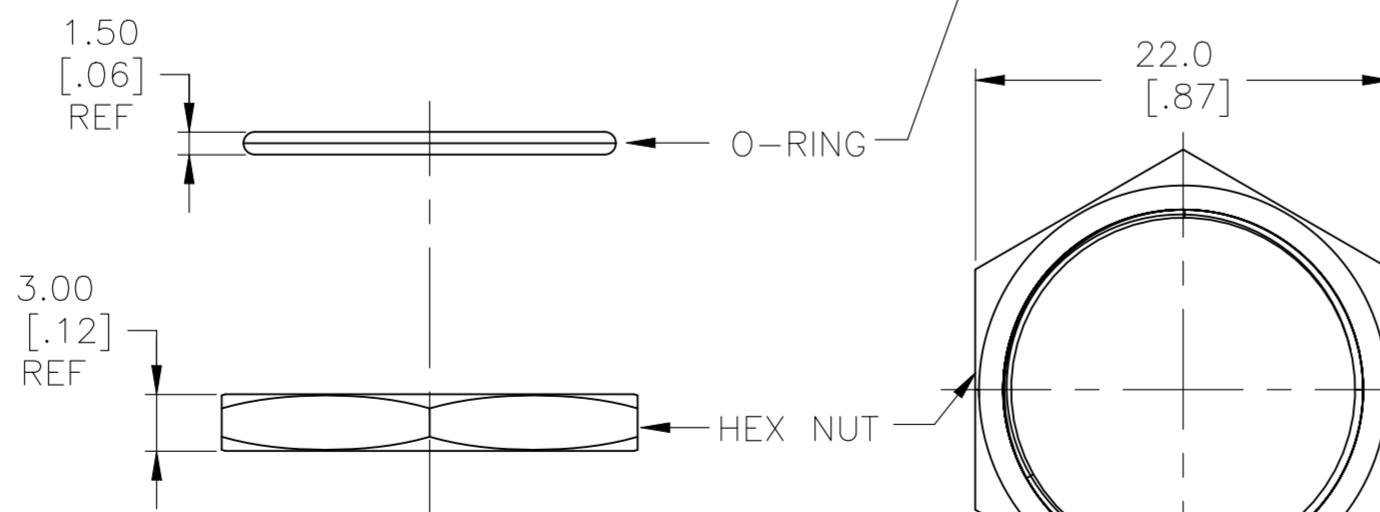
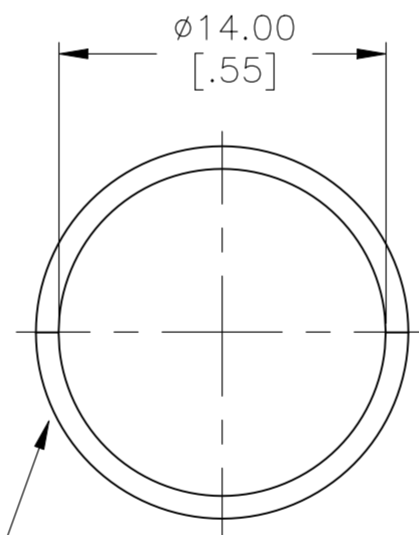
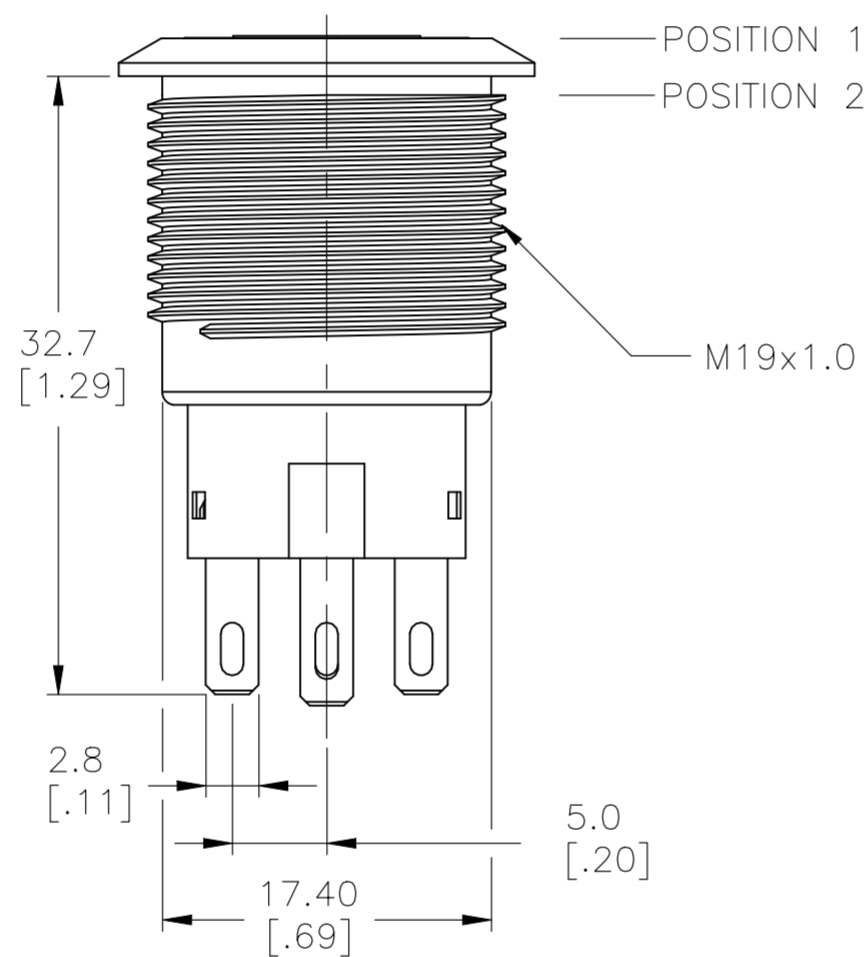
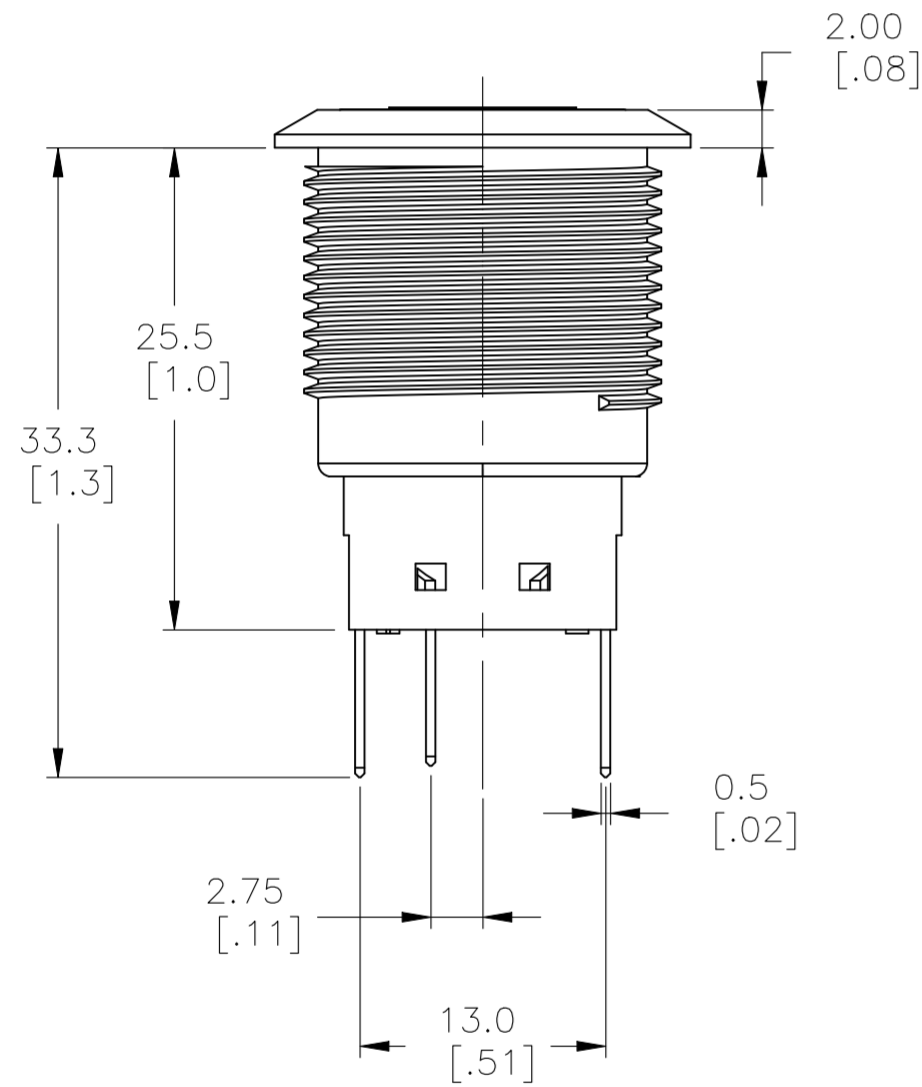
SINGLE POLE SWITCH WITH DUAL COLOR LED's



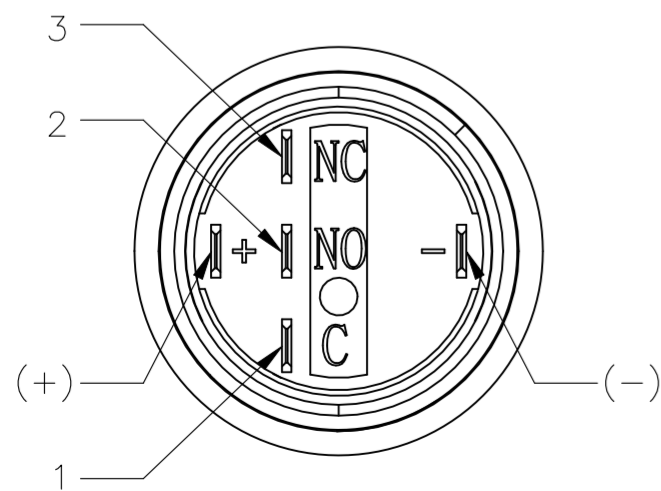
PANEL CUTOUT
 MAX.PANEL THICKNESS: 10.00[.394]



ASSEMBLED VIEW



EXPLODED VIEW



SPECIFICATION:
 CONTACT RATING: SILVER; 3A @ 250VAC RESISTIVE
 GOLD; 0.4A @ 20VDC OR PEAK AC
 INSULATION RESISTANCE: 1,000MΩ MIN AT 500VDC
 DIELECTRIC STRENGTH: 2,000V RMS @ SEA LEVEL
 CONTACT RESISTANCE: 50mΩ MAX @ 1A 12VDC (INITIAL VALUE), SOLDER TERMINALS
 100mΩ MAX @ 1A 12VDC (INITIAL VALUES), FLYING LEADS.
 ELECTRICAL LIFE CYCLES: 50,000 MAKE AND BREAK CYCLES AT FULL LOAD.
 ACTUATION FORCE: SP: 2.5±1 N, DP: 3.5±1 N
 ACTUATION TRAVEL: APPROXIMATELY 3.2mm
 SEALED PER IP67, IK10
 OPERATING TEMPERATURE: -20°C TO +55°C
 MECHANICAL LIFECYCLES: MOMENTARY; 1,000,000 CYCLES
 LOCKING; 500,000 CYCLES
 HARDWARE TORQUE: 5-14 N-m.

MATERIALS

BUSHING: STAINLESS STEEL,
 BASE: PBT (UL 94-V0), PC (UL 94-V2),
 ACTUATOR: STAINLESS STEEL, PC
 O-RING: SILICONE,
 TERMINAL/CONTACT: COPPER BASE, SILVER/GOLD PLATED,
 HEX NUT: BRASS BASE, NICKEL PLATED,
 WIRE:UL3385.
 INNER ASSEMBLY: POM/PA66
 SPRING: SPRING STEEL
 SEALING: SILICONE

1. ALL MATERIAL AND FINISHES SHALL COMPLY WITH EU DIRECTIVE 2002/95/EC OF 27JAN2003(ROHS).

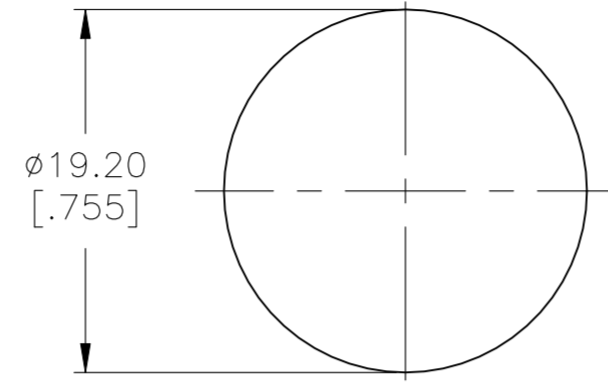
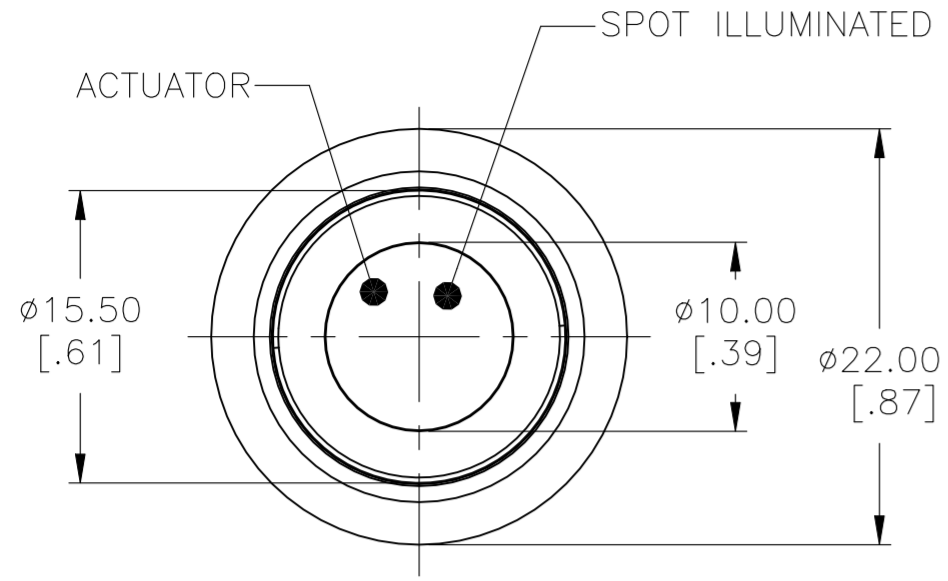
THIS DRAWING IS A CONTROLLED DOCUMENT.		DWN 13MAR2017 SHIVAKUMAR S S		
DIMENSIONS: mm [INCHES]		CHK 14MAR2017 SANJAY SHINDIKAR		
TOLERANCES UNLESS OTHERWISE SPECIFIED:		APVD 14MAR2017 SANJAY SHINDIKAR	NAME ANTI-VANDAL SWITCH 19mm DUAL COLOR LED, SOLDER TERMINALS, FLYING LEADS, WITH SPOT LED	
0 PLC ± - 1 PLC ± 0.4[.016] 2 PLC ± 0.25[.010] 3 PLC ± - 4 PLC ± - ANGLES ± 2°		PRODUCT SPEC	RESTRICTED TO	
MATERIAL		APPLICATION SPEC	SIZE A2	CAGE CODE 00779
FINISH		WEIGHT -	DRAWING NO C=2316542	REV A1
		CUSTOMER DRAWING	SCALE 1:1	SHEET 1 of 5

2316542

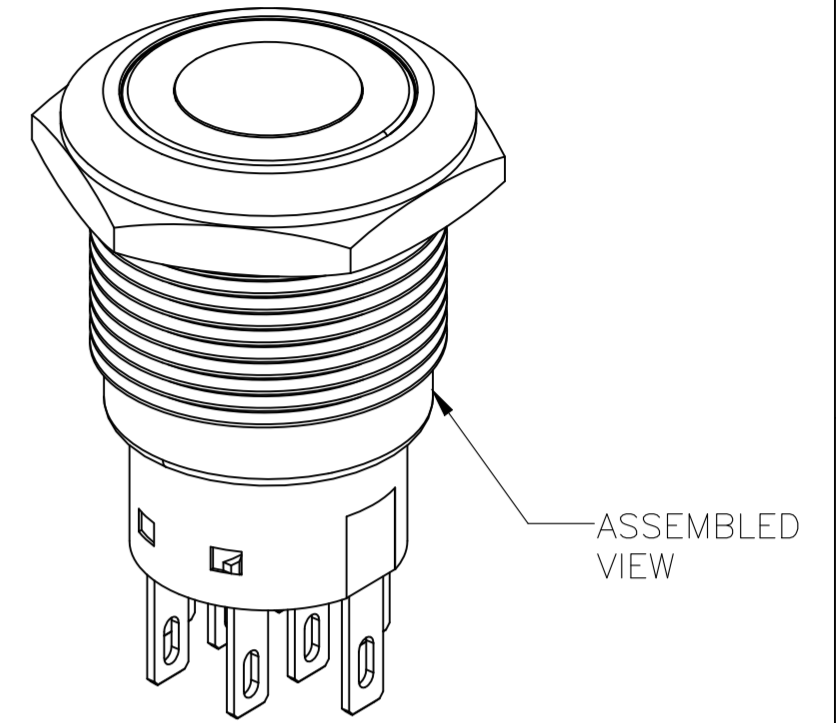
THIS DRAWING IS UNPUBLISHED. RELEASED FOR PUBLICATION
 © COPYRIGHT - TE Connectivity ALL RIGHTS RESERVED.

REVISIONS					
P	LTR	DESCRIPTION	DATE	DWN	APVD
-	-	SEE SHEET 1	-	-	-

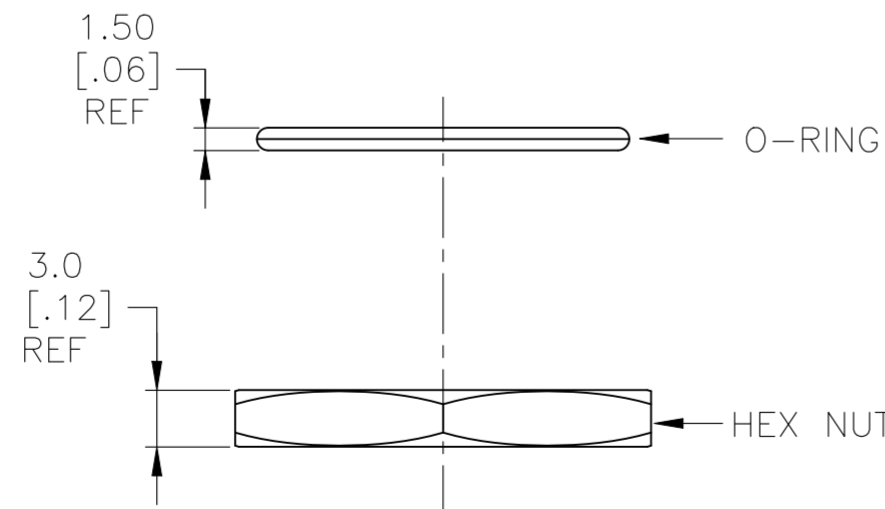
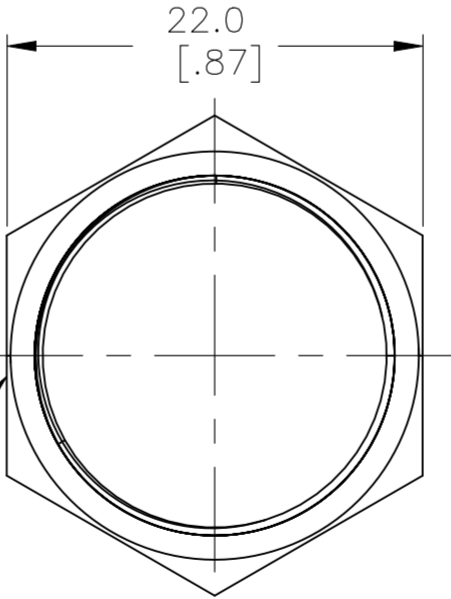
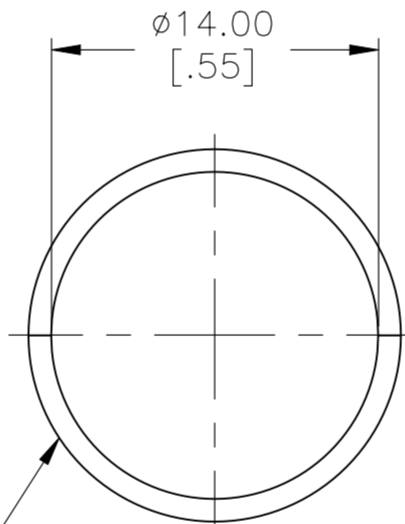
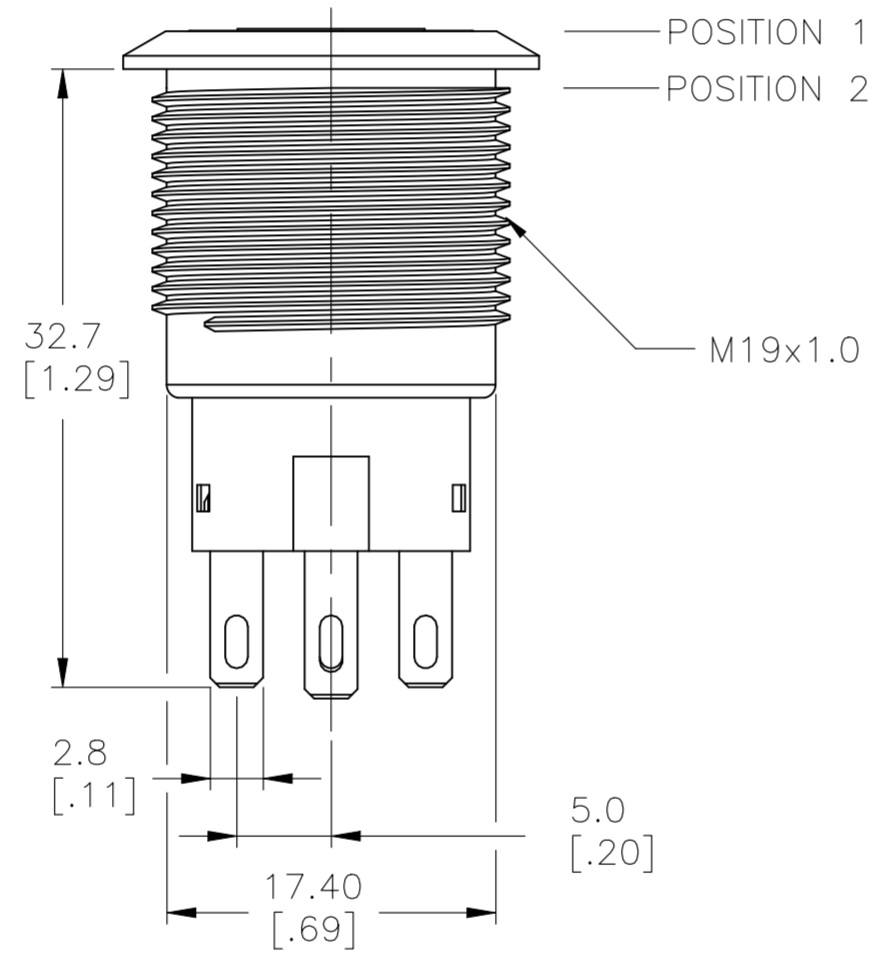
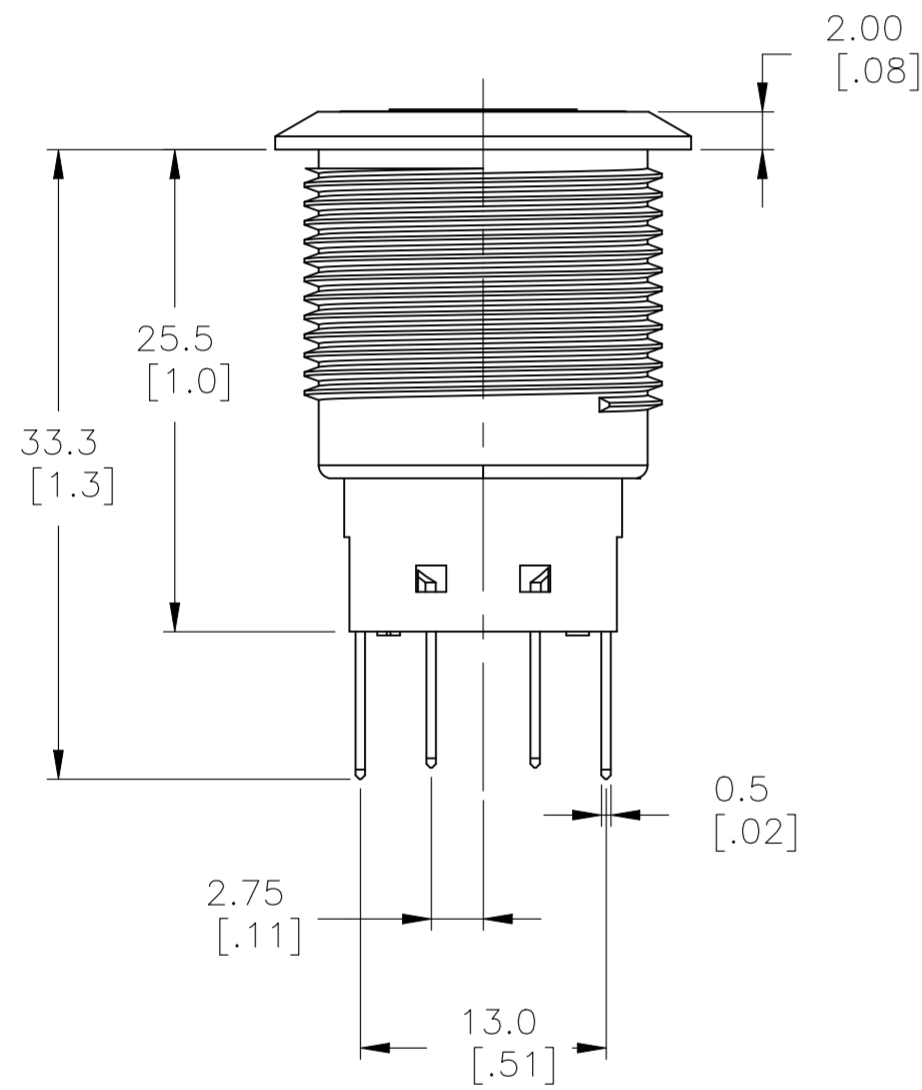
DOUBLE POLE SWITCH WITH DUAL COLOR LED'S



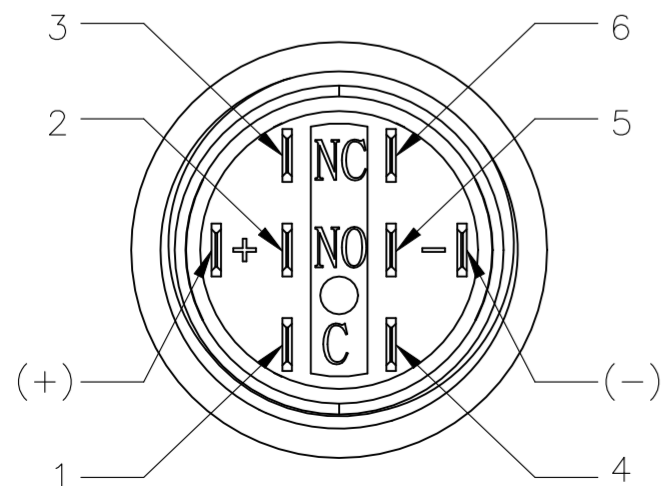
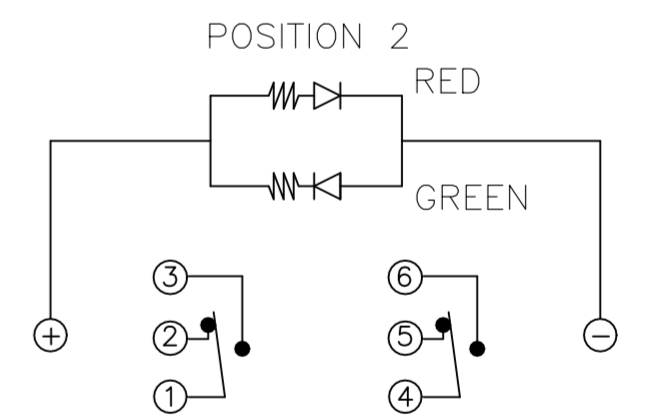
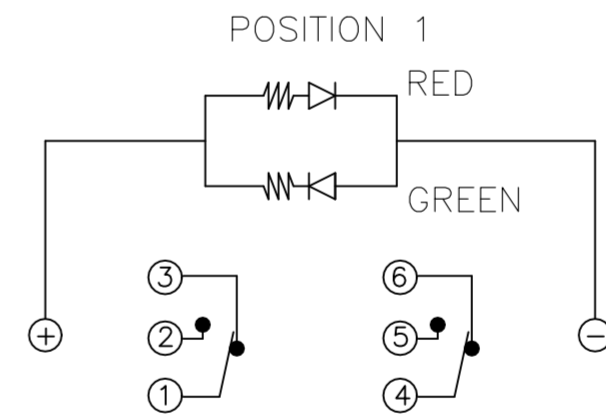
PANEL CUTOUT
 MAX.PANEL THICKNESS: 10.00[.394]



ASSEMBLED VIEW



EXPLODED VIEW

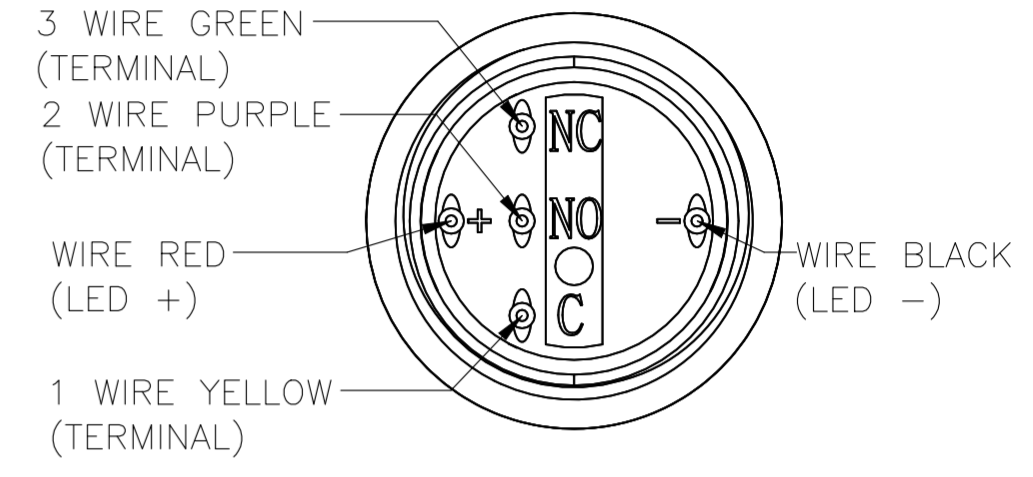
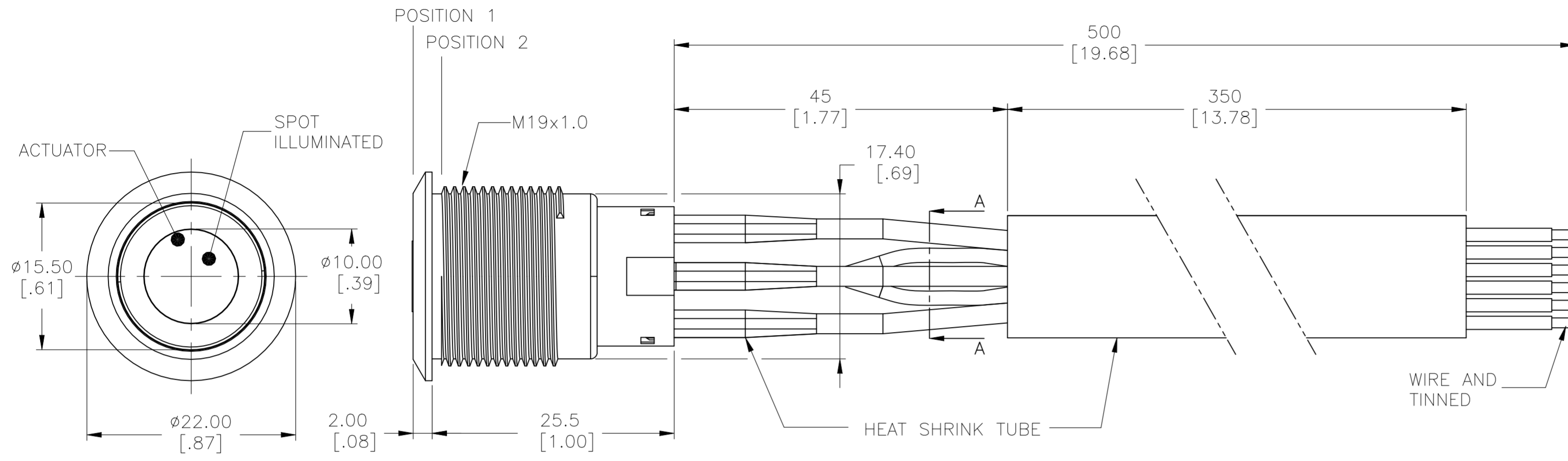


THIS DRAWING IS A CONTROLLED DOCUMENT.		DWN: SHIVAKUMAR S S (13MAR2017)		
DIMENSIONS: mm [INCHES]		CHK: SANJAY SHINDIKAR (14MAR2017)		
TOLERANCES UNLESS OTHERWISE SPECIFIED:		APVD: SANJAY SHINDIKAR (14MAR2017)	NAME: ANTI-VANDAL SWITCH 19mm DUAL COLOR LED, SOLDER TERMINALS, FLYING LEADS, WITH SPOT LED	
0 PLC ± -		PRODUCT SPEC	SIZE: A2	
1 PLC ± 0.4[.016]		APPLICATION SPEC	CAGE CODE: 00779	
2 PLC ± 0.25[.010]		WEIGHT: -	DRAWING NO: C=2316542	
3 PLC ± -		MATERIAL: -	RESTRICTED TO: -	
4 PLC ± -		FINISH: -	SCALE: 1:1	
ANGLES ± 2°		CUSTOMER DRAWING	SHEET: 2 of 5	
FINISH: -		REV: A1		

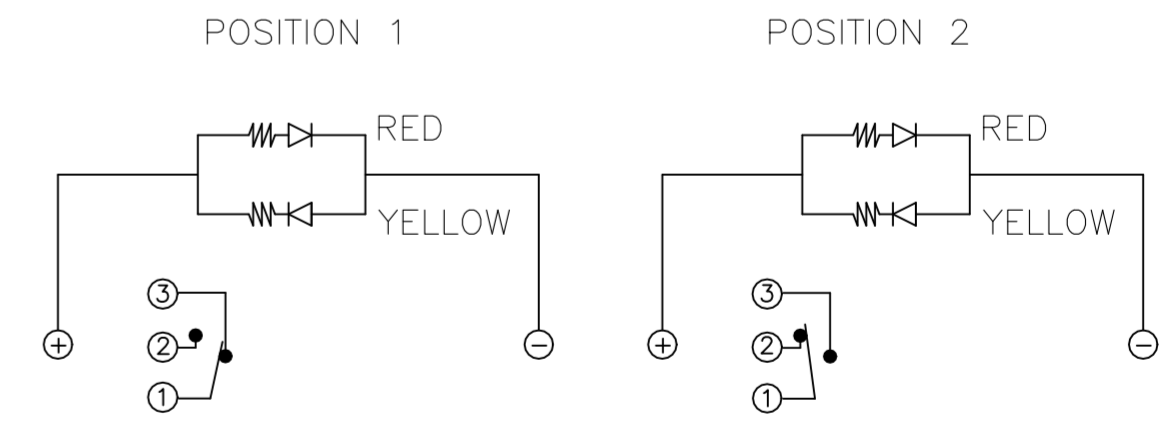
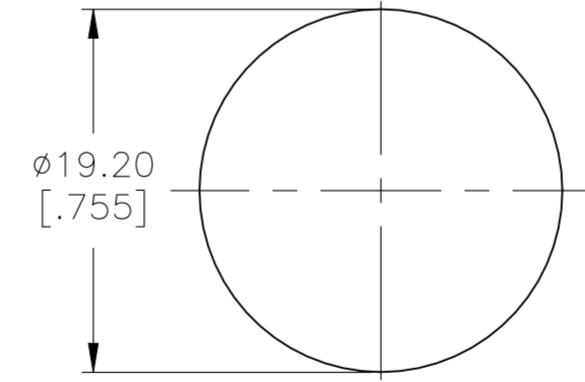
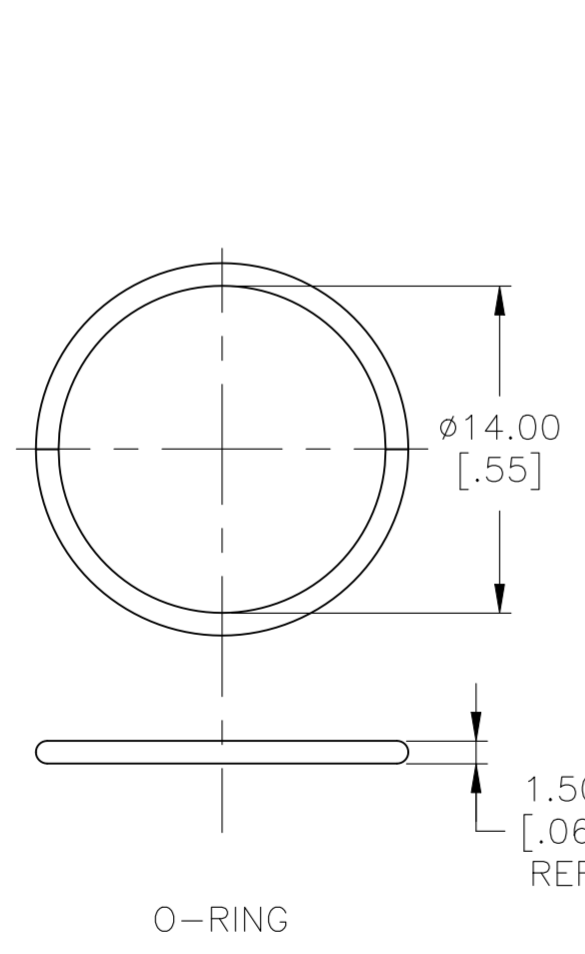
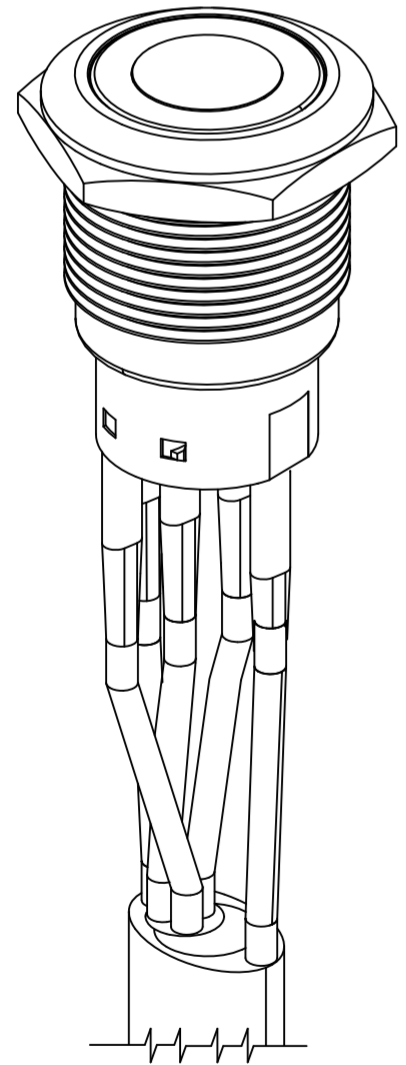
THIS DRAWING IS UNPUBLISHED. RELEASED FOR PUBLICATION
 © COPYRIGHT - TE Connectivity ALL RIGHTS RESERVED.

SINGLE POLE SWITCH WITH DUAL COLOR LED'S AND FLYING LEADS

REVISIONS					
P	LTR	DESCRIPTION	DATE	DWN	APVD
-	-	SEE SHEET 1	-	-	-



WIRE=18AWG, 300V(BLACK/YELLOW/GREEN/RED/PURPLE)

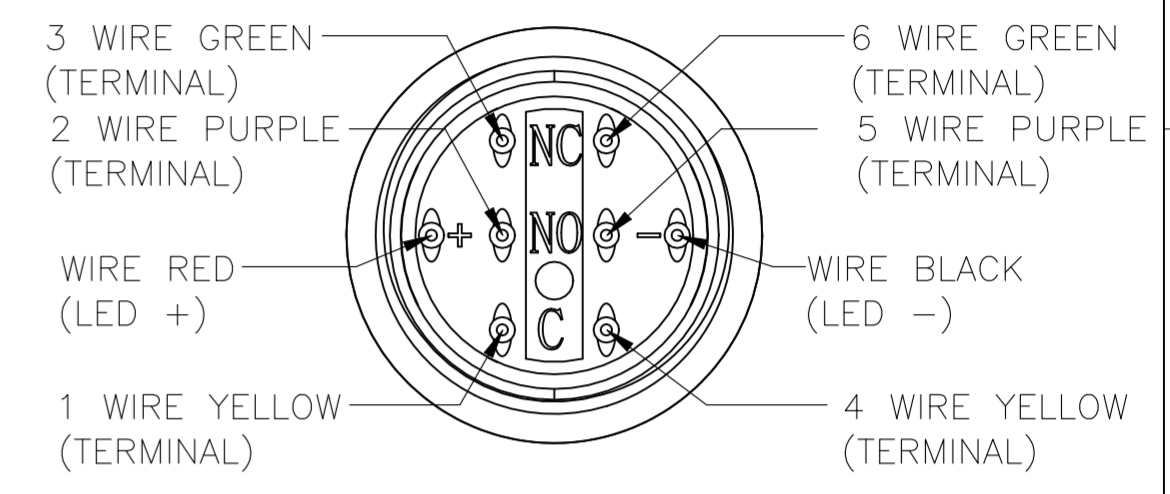
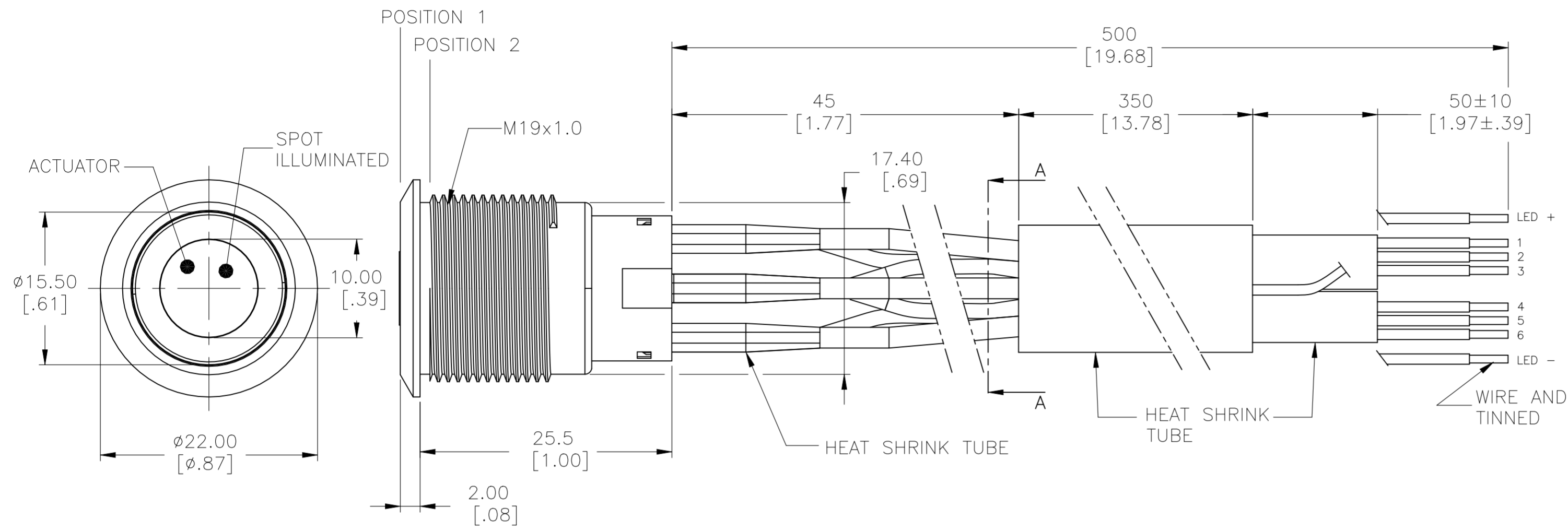


THIS DRAWING IS A CONTROLLED DOCUMENT.		DWN: SHIVAKUMAR S S (13MAR2017)	TE TE Connectivity	
DIMENSIONS: mm [INCHES]		CHK: SANJAY SHINDIKAR (14MAR2017)		
TOLERANCES UNLESS OTHERWISE SPECIFIED:		APVD: SANJAY SHINDIKAR (14MAR2017)	NAME: ANTI-VANDAL SWITCH 19mm DUAL COLOR LED, SOLDER TERMINALS, FLYING LEADS, WITH SPOT LED	
0 PLC ± -		PRODUCT SPEC: -	SIZE: A2	
1 PLC ± 0.4 [.016]		APPLICATION SPEC: -	CAGE CODE: 00779	
2 PLC ± 0.25 [.010]		WEIGHT: -	DRAWING NO: C=2316542	
3 PLC ± -		CUSTOMER DRAWING	RESTRICTED TO: -	
4 PLC ± -		SCALE: 1:1	SHEET: 3 OF 5	
ANGLES ± 2°		REV: A1		
FINISH: -				

THIS DRAWING IS UNPUBLISHED. RELEASED FOR PUBLICATION
 © COPYRIGHT - TE Connectivity ALL RIGHTS RESERVED.

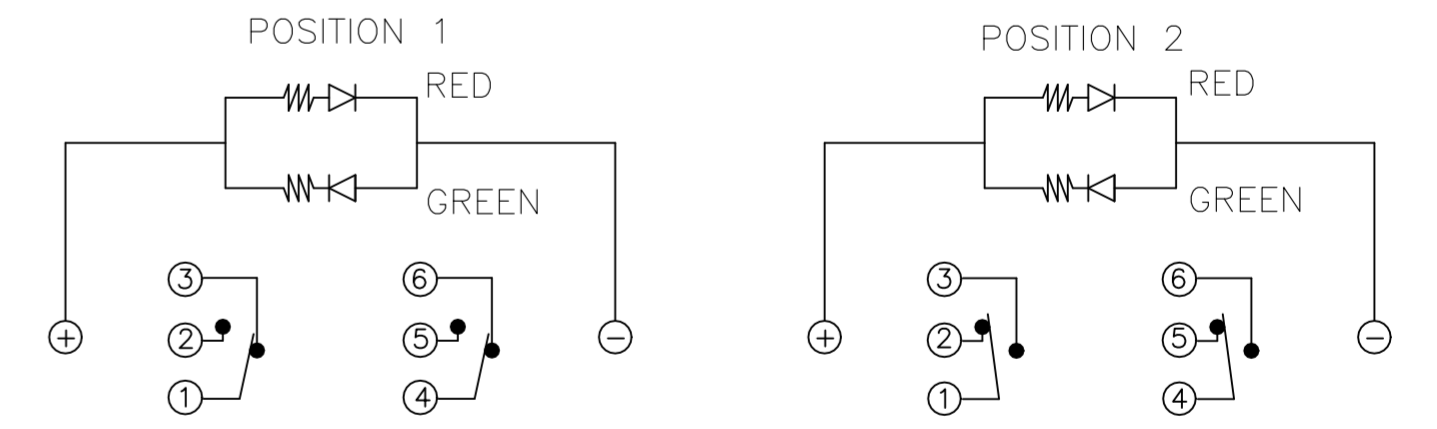
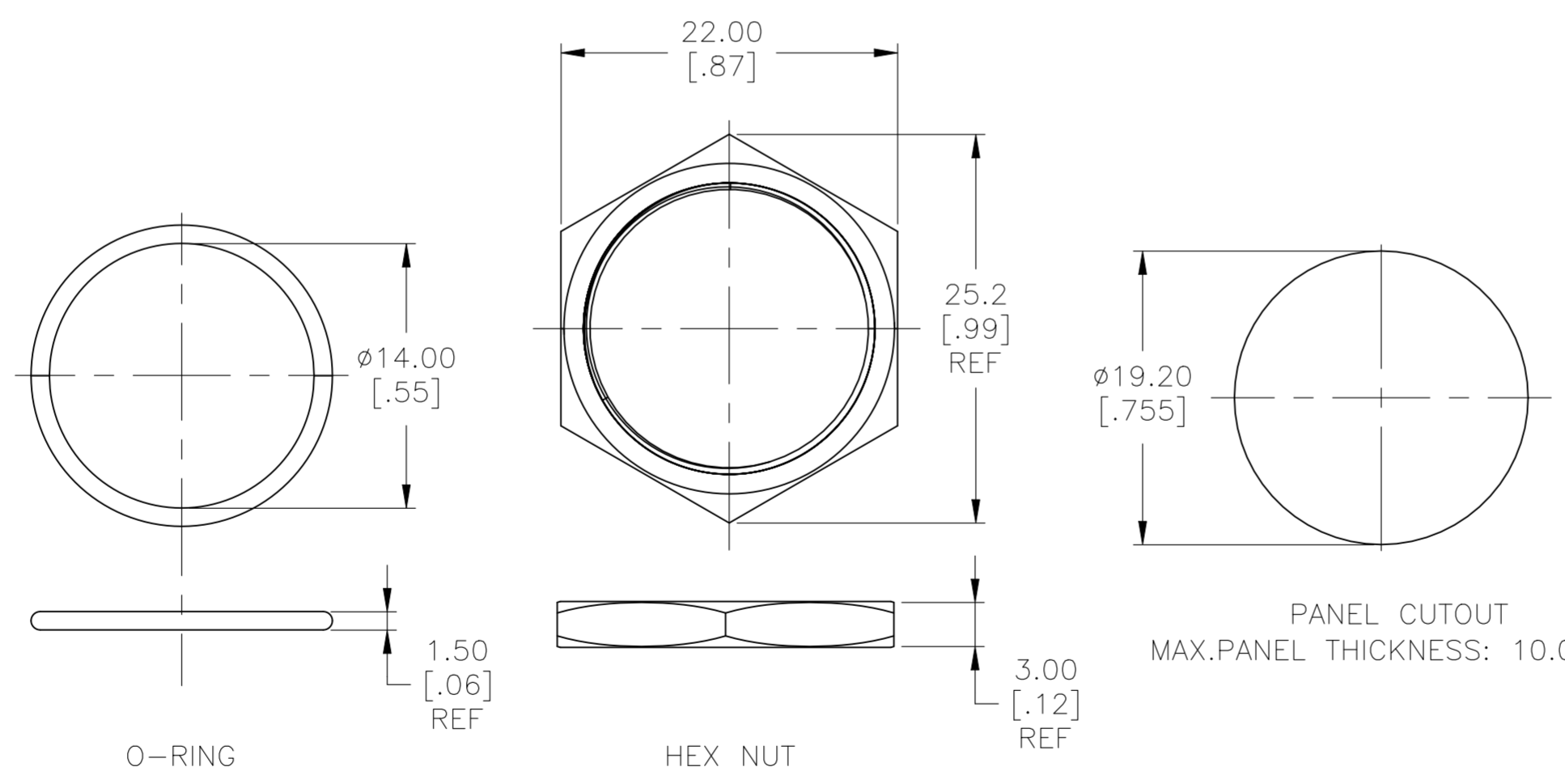
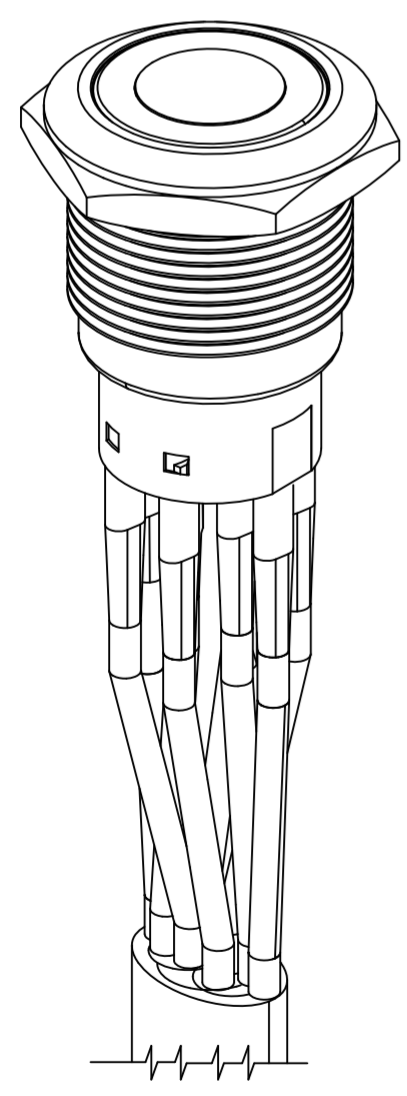
REVISIONS					
P	LTR	DESCRIPTION	DATE	DWN	APVD
-	-	SEE SHEET 1	-	-	-

DOUBLE POLE SWITCH WITH DUAL COLOR LED'S AND FLYING LEADS



SECTION A-A

WIRE=18AWG, 300V(BLACK/YELLOW/GREEN/RED/PURPLE)



THIS DRAWING IS A CONTROLLED DOCUMENT.		DWN SHIVAKUMAR S S 13MAR2017		
DIMENSIONS: mm [INCHES]		CHK SANJAY SHINDIKAR 14MAR2017		
TOLERANCES UNLESS OTHERWISE SPECIFIED:		APVD SANJAY SHINDIKAR 14MAR2017	NAME ANTI-VANDAL SWITCH 19mm DUAL COLOR LED, SOLDER TERMINALS, FLYING LEADS, WITH SPOT LED	
0 PLC ± - 1 PLC ± 0.4[.016] 2 PLC ± 0.25[.010] 3 PLC ± - 4 PLC ± - ANGLES ± 2°		PRODUCT SPEC -	RESTRICTED TO -	
MATERIAL -		FINISH -	WEIGHT -	SIZE A2
		CUSTOMER DRAWING		CAGE CODE 00779
		SCALE 1:1		DRAWING NO C=2316542
		SHEET 4 OF 5		REV A1

THIS DRAWING IS UNPUBLISHED. RELEASED FOR PUBLICATION
 © COPYRIGHT - TE Connectivity ALL RIGHTS RESERVED.

REVISIONS					
P	LTR	DESCRIPTION	DATE	DWN	APVD
-	-	SEE SHEET 1	-	-	-

CONTACT PLATING	LIGHT TYPE	TERMINAL OPTION	POLE/THROW	LED COLOR	LED VOLTAGE	TE DESCRIPTIVE PART NUMBER	TE PART NUMBER
SILVER	SPOT RING	FLYING LEAD TERMINALS	DOUBLE POLE - MOMENTARY	RED & YELLOW	24	AV1920DG24T5Q04	4-2316542-7
					12	AV1920DG12T5Q04	4-2316542-6
				RED & BLUE	24	AV1920DB24T5Q04	4-2316542-5
					12	AV1920DB12T5Q04	4-2316542-4
				RED & GREEN	24	AV1920DA24T5Q04	4-2316542-3
					12	AV1920DA12T5Q04	4-2316542-2
			SINGLE POLE - LOCKING	RED & YELLOW	24	AV1911DG24T5Q04	4-2316542-1
					12	AV1911DG12T5Q04	4-2316542-0
				RED & BLUE	24	AV1911DB24T5Q04	3-2316542-9
					12	AV1911DB12T5Q04	3-2316542-8
				RED & GREEN	24	AV1911DA24T5Q04	3-2316542-7
					12	AV1911DA12T5Q04	3-2316542-6
		SOLDER TERMINALS	DOUBLE POLE - MOMENTARY	RED & YELLOW	24	AV1910DG24T5Q04	3-2316542-5
					12	AV1910DG12T5Q04	3-2316542-4
				RED & BLUE	24	AV1910DB24T5Q04	3-2316542-3
					12	AV1910DB12T5Q04	3-2316542-2
				RED & GREEN	24	AV1910DA24T5Q04	3-2316542-1
					12	AV1910DA12T5Q04	3-2316542-0
			SINGLE POLE - LOCKING	RED & YELLOW	24	AV1920DG24Q04	1-2316542-8
					12	AV1920DG12Q04	1-2316542-7
				RED & BLUE	24	AV1920DB24Q04	1-2316542-6
					12	AV1920DB12Q04	1-2316542-5
				RED & GREEN	24	AV1920DA24Q04	1-2316542-4
					12	AV1920DA12Q04	1-2316542-3
SINGLE POLE - MOMENTARY	RED & YELLOW	24	AV1911DG24Q04	1-2316542-2			
		12	AV1911DG12Q04	1-2316542-1			
	RED & BLUE	24	AV1911DB24Q04	1-2316542-0			
		12	AV1911DB12Q04	2316542-9			
	RED & GREEN	24	AV1911DA24Q04	2316542-8			
		12	AV1911DA12Q04	2316542-7			
SINGLE POLE - MOMENTARY	RED & YELLOW	24	AV1910DG24Q04	2316542-6			
		12	AV1910DG12Q04	2316542-5			
	RED & BLUE	24	AV1910DB24Q04	2316542-4			
		12	AV1910DB12Q04	2316542-3			
	RED & GREEN	24	AV1910DA24Q04	2316542-2			
		12	AV1910DA12Q04	2316542-1			

THIS DRAWING IS A CONTROLLED DOCUMENT.		DWN 13MAR2017 SHIVAKUMAR S S	TE TE Connectivity	
DIMENSIONS: mm [INCHES]		CHK 14MAR2017 SANJAY SHINDIKAR		
TOLERANCES UNLESS OTHERWISE SPECIFIED:		APVD 14MAR2017 SANJAY SHINDIKAR	NAME ANTI-VANDAL SWITCH 19mm DUAL COLOR LED, SOLDER TERMINALS, FLYING LEADS, WITH SPOT LED	
0 PLC ± -		PRODUCT SPEC -	SIZE A2	
1 PLC ± 0.4[.016]		APPLICATION SPEC -	CAGE CODE 00779	
2 PLC ± 0.25[.010]		WEIGHT -	DRAWING NO C-2316542	
3 PLC ± -		FINISH -	RESTRICTED TO -	
4 PLC ± -		CUSTOMER DRAWING	SCALE 1:1 SHEET 5 OF 5 REV A1	
ANGLES ± 2°				

D

C

B

A

D

C

B

A

2316542

单击下面可查看定价，库存，交付和生命周期等信息

[>>TE Connectivity\(泰科\)](#)