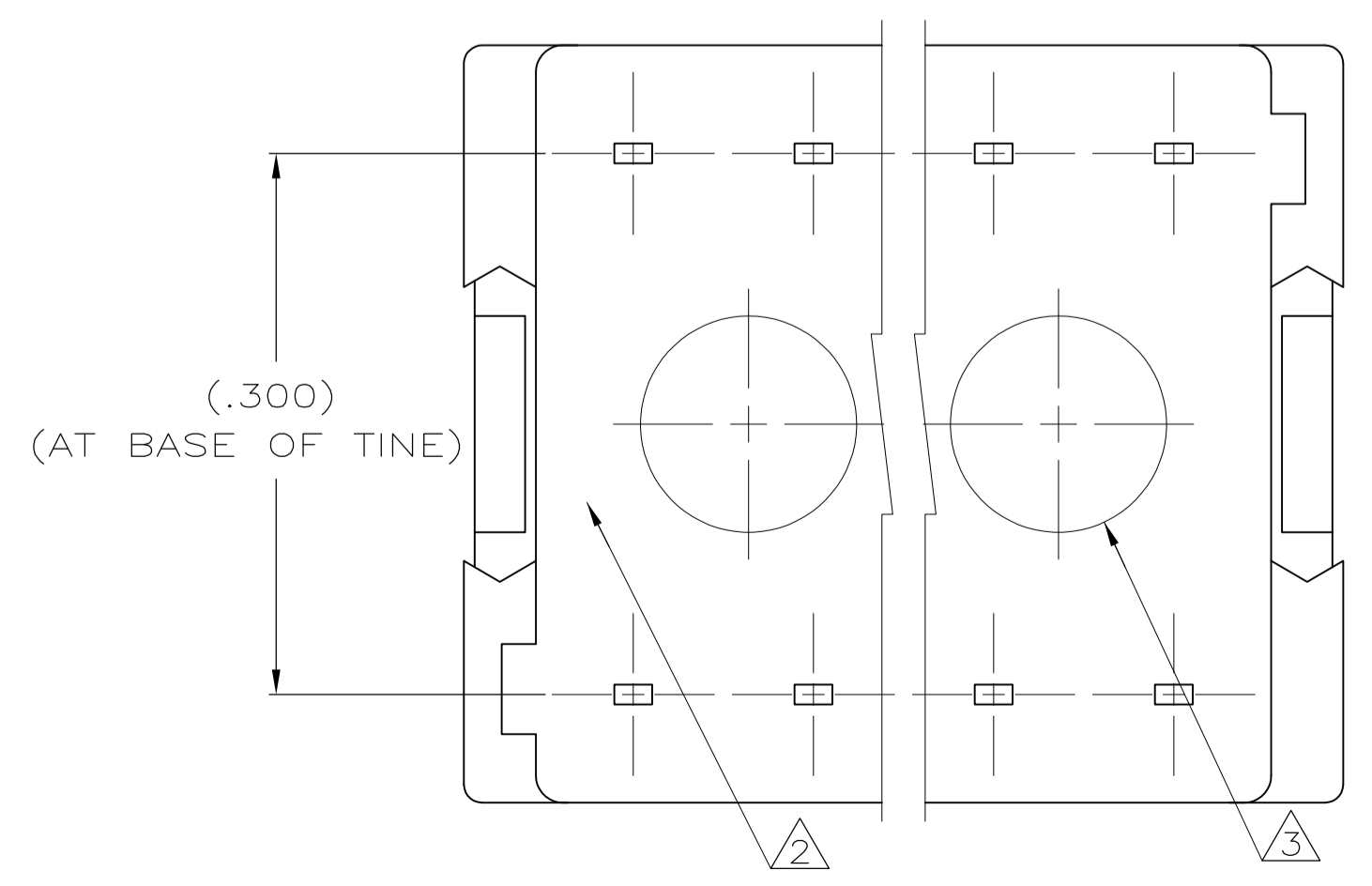
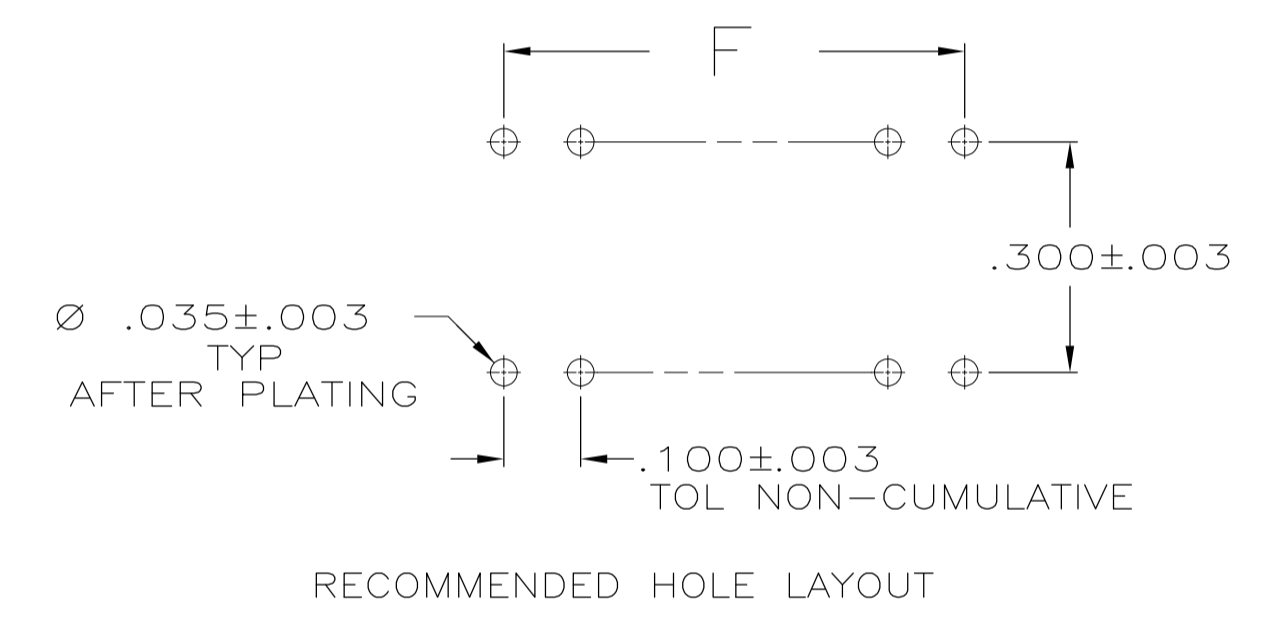
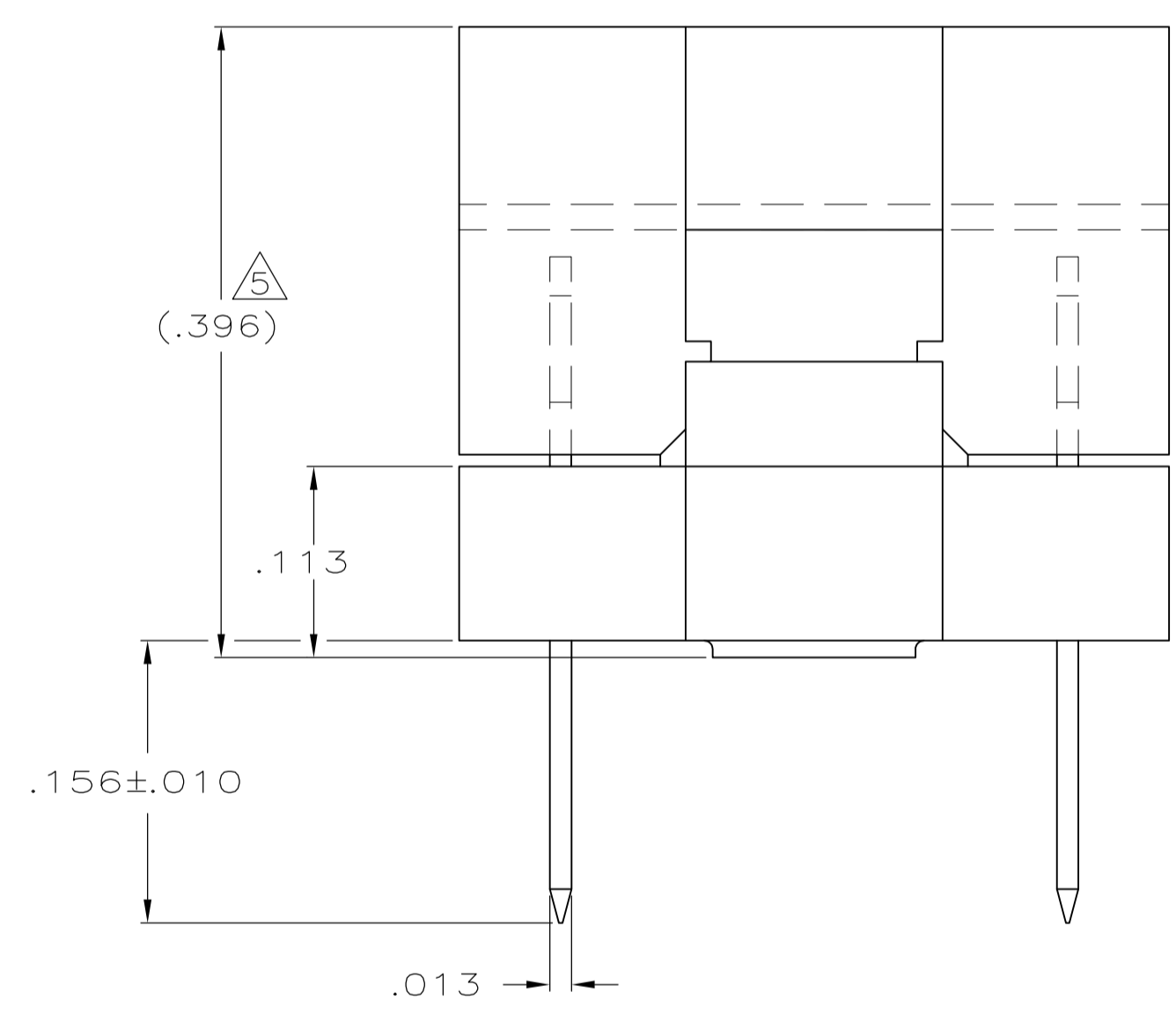
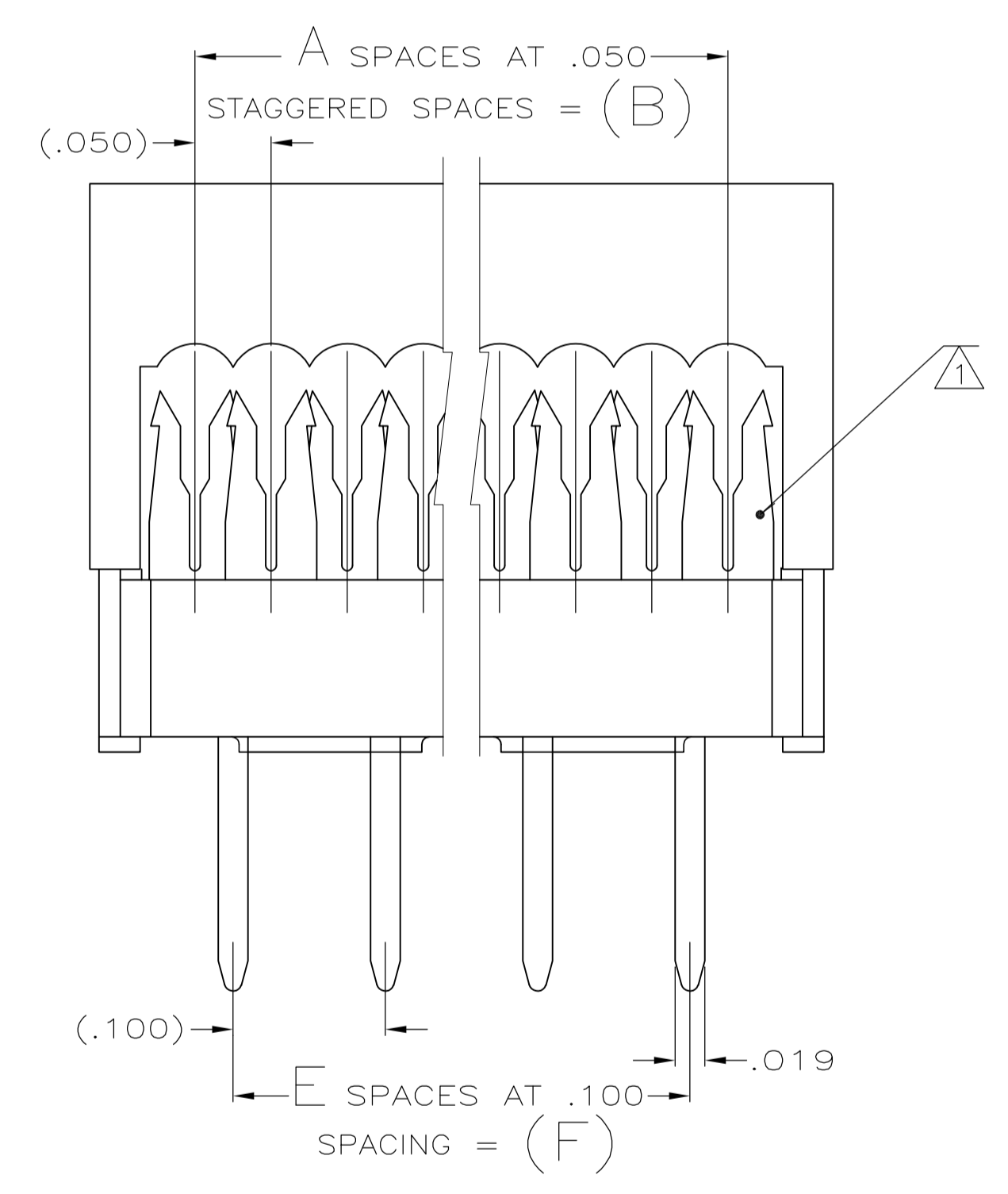
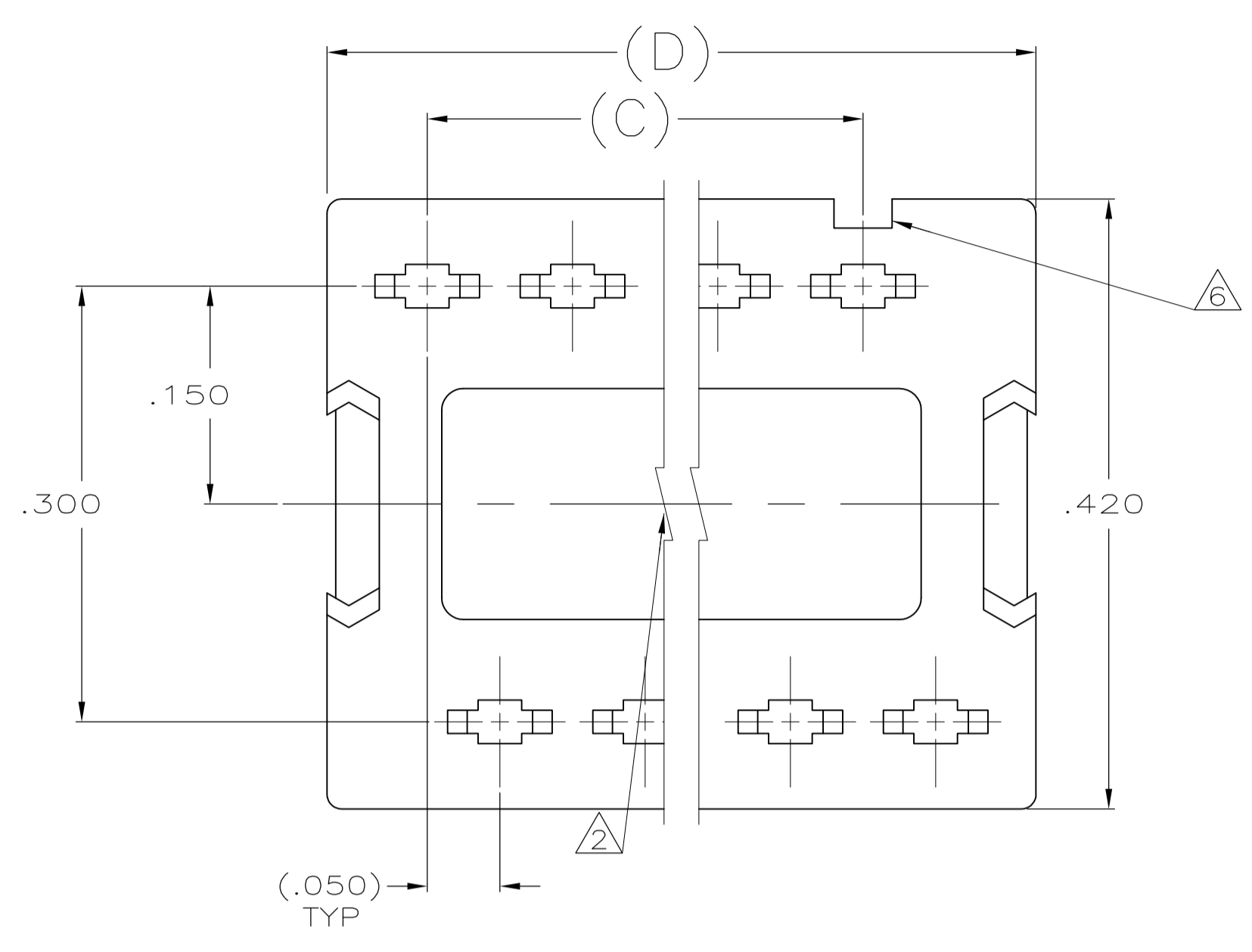


- ① CONTACTS DESIGNED FOR 26 & 28 AWG STRANDED OR 26, 28 & 30 AWG SOLID WIRE.
- ② AMP TRADEMARK LOCATED IN APPROX AREA SHOWN.
- ③ STANDOFFS: POSN 8 (2) STANDOFFS AS SHOWN. POSN 14-20 (3) STANDOFFS, (1) CENTERED BETWEEN (2) SHOWN
- ④ .000005 MIN GOLD ON RIBBON CABLE TERMINATION AREA
.000100-.000200 MATTE TIN ON SOLDER TAILS, ALL OVER
.000050 MIN NICKEL.
- ⑤ HEIGHT AFTER TERMINATION IS (.253).
- ⑥ INDICATES NO 1 POSITION.
- ⑦ MOLDED PARTS: 94V-0 RATED THERMOPLASTIC, COLOR BLACK.
CONTACTS: PHOS BRONZE



OBSOLETE	.900	9	1.088	.900	.950	19	20	5746613-5
OBSOLETE	.800	8	.988	.800	.850	17	18	-4
	.700	7	.888	.700	.750	15	16	-3
	.600	6	.788	.600	.650	13	14	-2
	.300	3	.488	.300	.350	7	8	5746613-1
	F	E	D	C	B	A	NO OF POSN	

THIS DRAWING IS A CONTROLLED DOCUMENT.

DIMENSIONS: INCHES	TOLERANCES UNLESS OTHERWISE SPECIFIED:	DIN	11-29-04	G. ATTADIA - DOCKS	
0. PLC ± -	1. PLC ± -	CIK	11-29-04	C. ROHDE	
2. PLC ± -	3. PLC ± .005	APVD	11-29-04	M. WALMSLEY	
4. PLC ± -	ANGLES ± -	NAME		KIT, AMP-LATCH DIP PLUG, PREASSEMBLED .100 X .300 CENTERS.	
MATERIAL	FINISH	PRODUCT SPEC		108-40013	
		APPLICATION SPEC		114-40005	
		WEIGHT		SIZE	CAGE CODE
				A1	00779
				DRAWING NO	5746613
				RESTRICTED TO	
				CUSTOMER DRAWING	
				SCALE	NTS
				SHEET	1 OF 1
				REV	C

STE TE Connectivity

单击下面可查看定价，库存，交付和生命周期等信息

[>>TE Connectivity\(泰科\)](#)