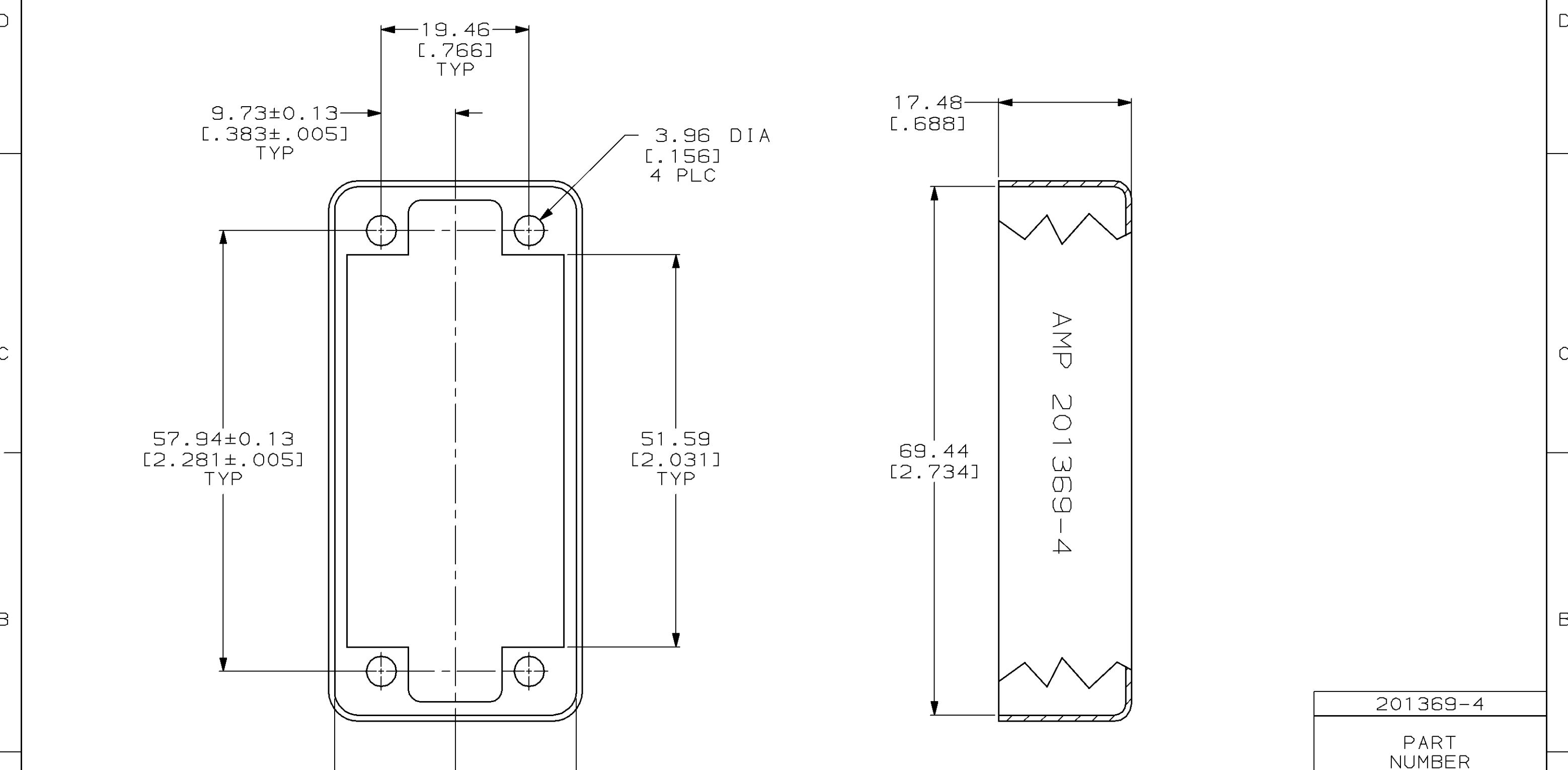


THIS DRAWING IS UNPUBLISHED. RELEASED FOR PUBLICATION ,19 .
 © COPYRIGHT 19 BY AMP INCORPORATED. ALL RIGHTS RESERVED.

LOC	DIST	REVISIONS			
P	LTR	DESCRIPTION	DATE	DWN	APVD
BD	36	F	REDRAWN PER EC 0020-1245-95	31 OCT 95	-



201369-4
 PART NUMBER

THIS DRAWING IS A CONTROLLED DOCUMENT FOR AMP INCORPORATED. IT IS SUBJECT TO CHANGE AND THE CONTROLLING ENGINEERING ORGANIZATION SHOULD BE CONTACTED FOR THE LATEST REVISION.		DWN	C. REIFSNYDER	31 OCT 95	AMP Incorporated Harrisburg, PA 17105-3608
DIMENSIONS:		CHK	R. STONE	17 NOV 95	
mm [INCHES]		APVD	G. STEINHAUER	19 NOV 95	
TOLERANCES UNLESS OTHERWISE SPECIFIED:		PRODUCT SPEC		NAME	
0 PLC	±-	-		PIN HOOD, 75 PLACE, INTERNAL, M SERIES	
1 PLC	±-	-		SIZE	
2 PLC	±0.38 [.015]	APPLICATION SPEC		CAGE CODE	
3 PLC	±-	-		DRAWING NO	
4 PLC	±-	-		A3 00779 C-201369	
ANGLES	±-	WEIGHT		SCALE	
MATERIAL	CARBON STEEL	FINISH		SHEET	
		5.08µm [.000200] MIN NICKEL		1 OF 1	
		CUSTOMER DRAWING		REV F	

单击下面可查看定价，库存，交付和生命周期等信息

[>>TE Connectivity\(泰科\)](#)