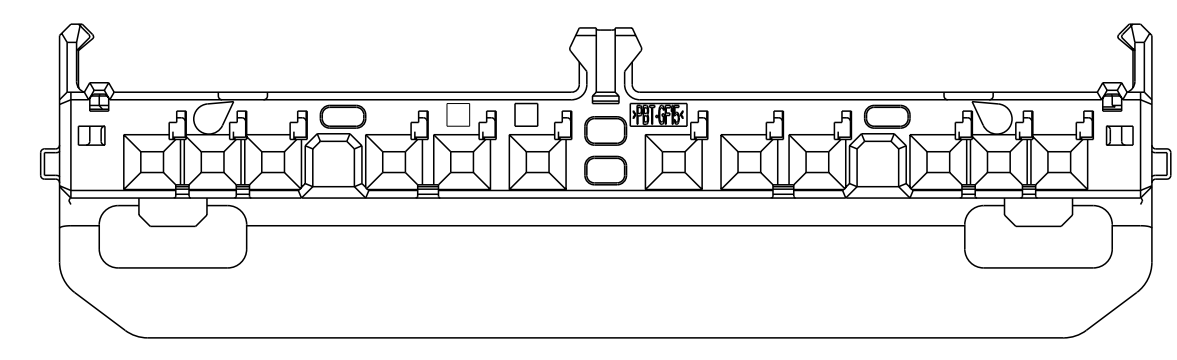
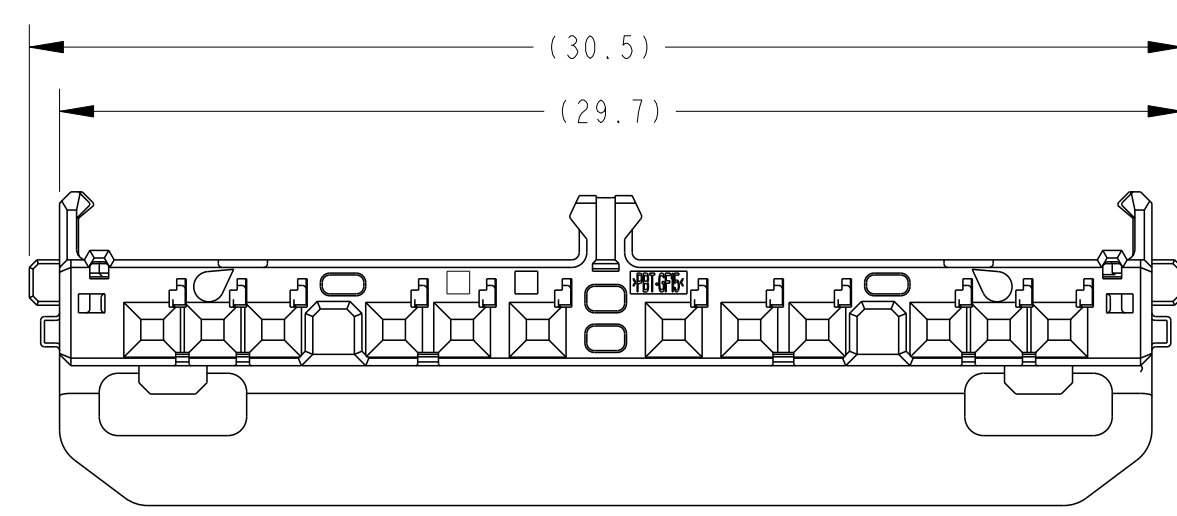


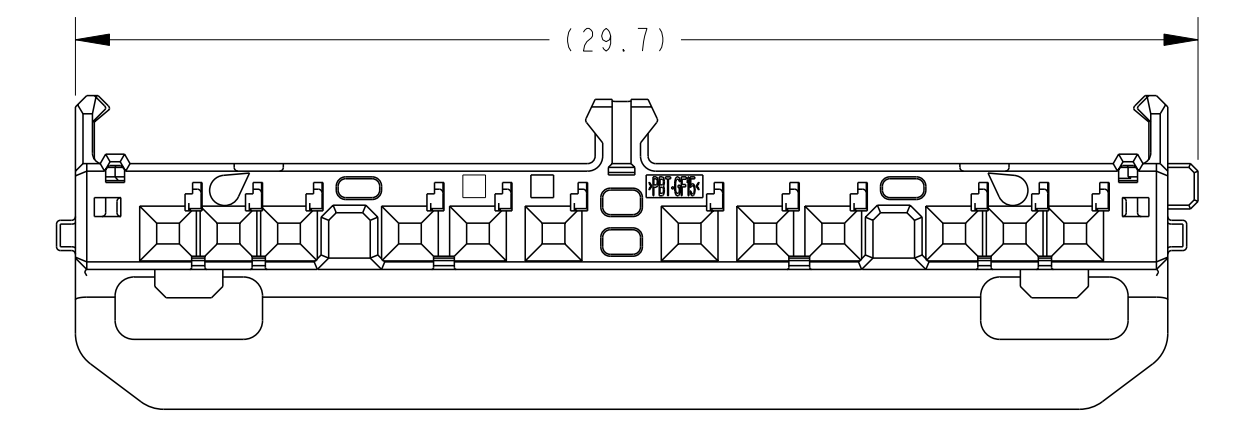
-1: AS SHOWN
 -1: 本図



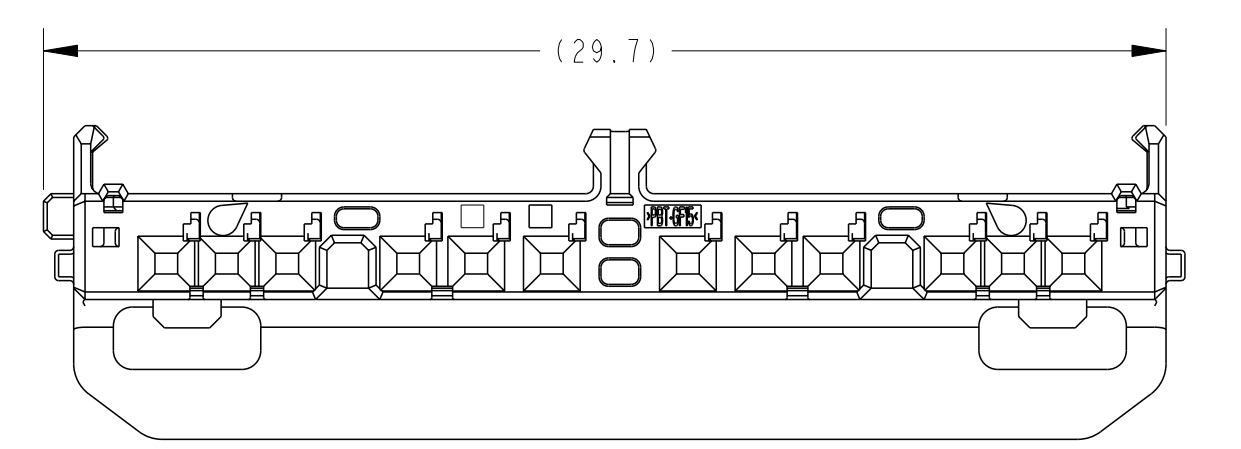
1903611-4
 1-1903611-0
 1-1903611-6



2-1903611-5
 2-1903611-6



1903611-5
 1-1903611-1
 1-1903611-7



1903611-6
 1-1903611-2

| REV. NO. | DATE | DESCRIPTION | DATE | OWN | APVD |
|----------|-----------|------------------------|-----------|-----|------|
| A | 09DEC08 | RELEASED | 09DEC08 | KK | HY |
| A1 | 07SEP12 | REVISIED ECR-09-014331 | 07SEP12 | KK | HY |
| A2 | 03OCT2017 | REVISIED ECR-17-014392 | 03OCT2017 | KK | TK |

1. 本製品は、別番のコンポーネントと組合せて使用する。
2. 取扱説明書 NO:411-78268,78269
3. 組合せ相手型番：取扱説明書を参照のこと。
4. 組合相手代表型番：取扱説明書を参照のこと。
5. 適用端子：TABLE-1参照

1. THIS PRODUCT IS USED STACK WITH ANOTHER COMPONENTS.
2. HANDLING OF THIS PART SHOULD FOLLOW INSTRUCTION SHEET NO.411-78268,78269.
3. COMPONENTS NUMBER OF STACKING;REFERENCE TO INSTRUCTION SHEET.
4. MATING CONNECTOR PART(TYPICAL);REFERENCE TO INSTRUCTION SHEET.
5. APPLIED TERMINAL;SEE TABLE-1

TABLE-1

| SIGNAL | APPLIED TERMINAL P/N 適用端子 P/N | | APPLICABLE WIRE RANGE 適用電線 |
|--------|----------------------------------|-----------|-------------------------------|
| | 0.5 | TIN | |
| | TIN | 1827855-1 | |
| | GOLD | 1903703-1 | |
| | TIN | 1827855-2 | |
| | TIN | 1827855-3 | |

| PACKING STYLE | COLOR | PART NO. | |
|---------------------|------------------------|-------------|-------------|
| PAPER BOX タンボール箱 | SOFT TRAY プラスチックトレイ | GRAY | 2-1903611-7 |
| | | BLACK | 2-1903611-6 |
| | | NATURAL | 2-1903611-5 |
| | | GRAY | 1-1903611-8 |
| | | | 1-1903611-7 |
| | | | 1-1903611-6 |
| | BLACK | 1-1903611-5 | |
| | | 1-1903611-4 | |
| | | 1-1903611-3 | |
| | | 1-1903611-2 | |
| | | 1-1903611-1 | |
| | | 1-1903611-0 | |
| NATURAL | 1903611-6 | | |
| | 1903611-5 | | |
| | 1903611-4 | | |
| | 1903611-3 | | |
| | 1903611-2 | | |
| | 1903611-1 | | |

THIS DRAWING IS A CONTROLLED DOCUMENT. OWN: K. KATO 09DEC08
 CHK: R. KOMIYAMA 09DEC08
 APVD: H. YAMAGAMI 09DEC08

TE Connectivity
STE 0.5 12POSITION HOUSING ASSY
 STACKING TYPE

MATERIAL: PBT
 FINISH: SEE TABLE
 WEIGHT: 1.29 g
 CUSTOMER DRAWING

SIZE: A1
 CAGE CODE: 00779
 DRAWING NO: 1903611
 SHEET 1 OF 1
 REV: A2

单击下面可查看定价，库存，交付和生命周期等信息

[>>TE Connectivity\(泰科\)](#)