

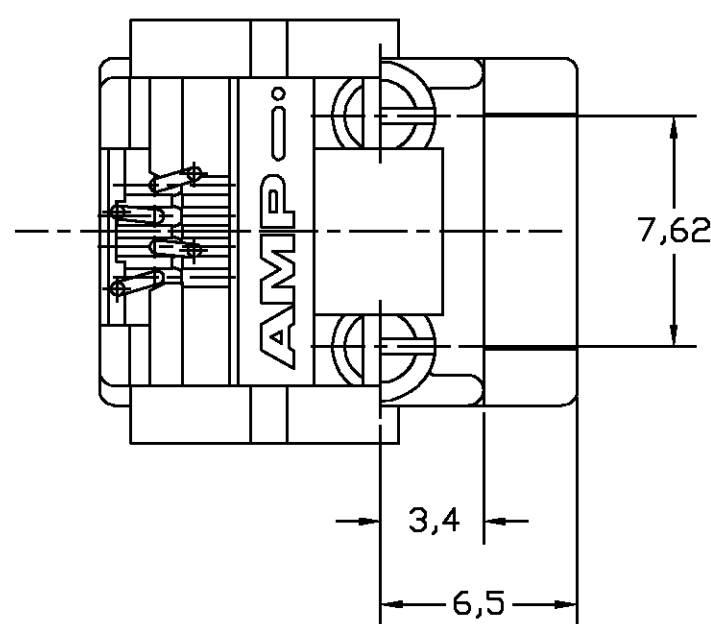
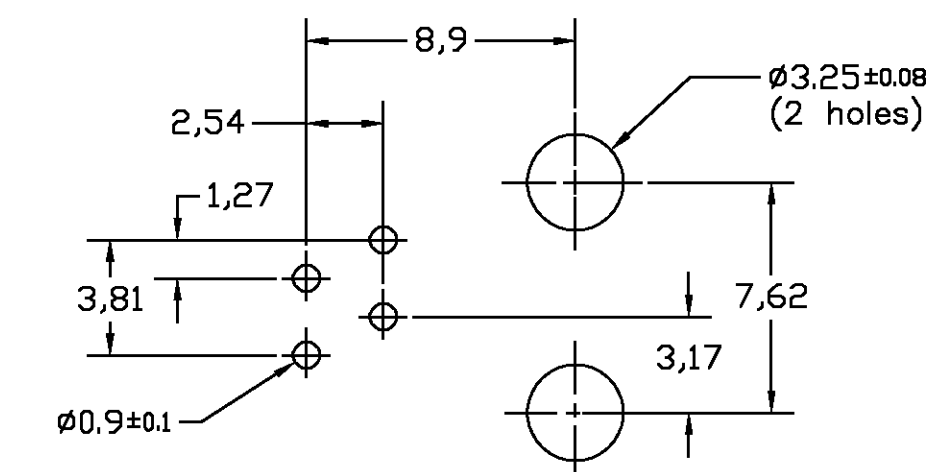
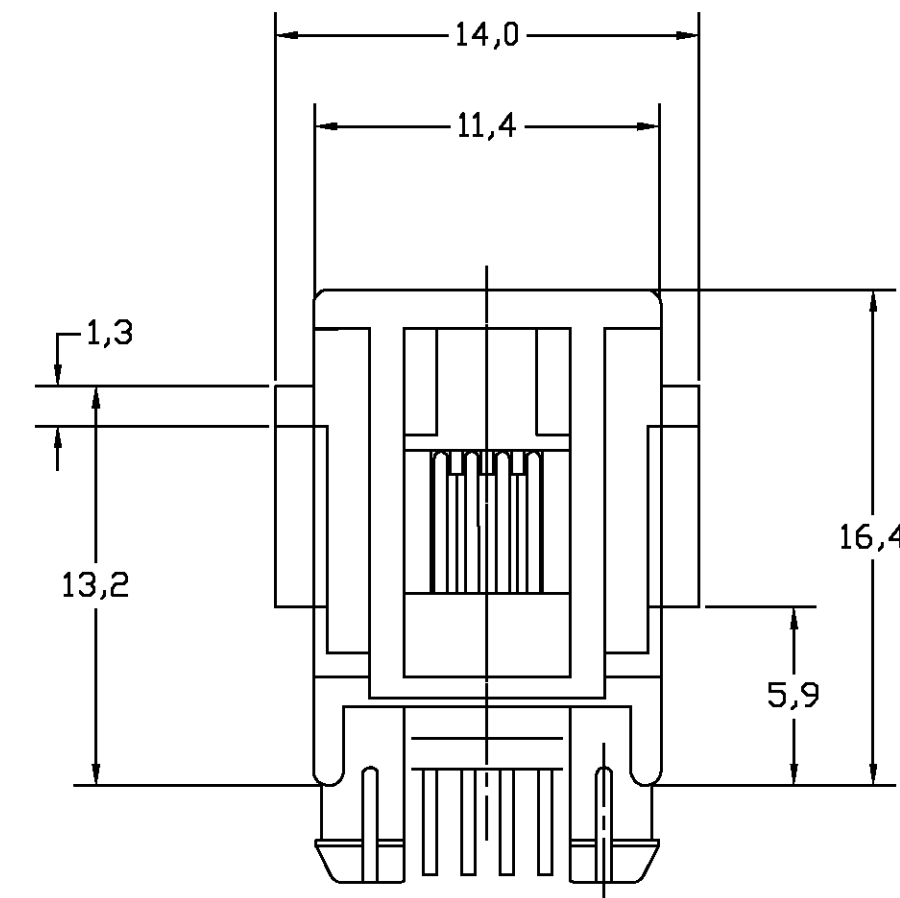
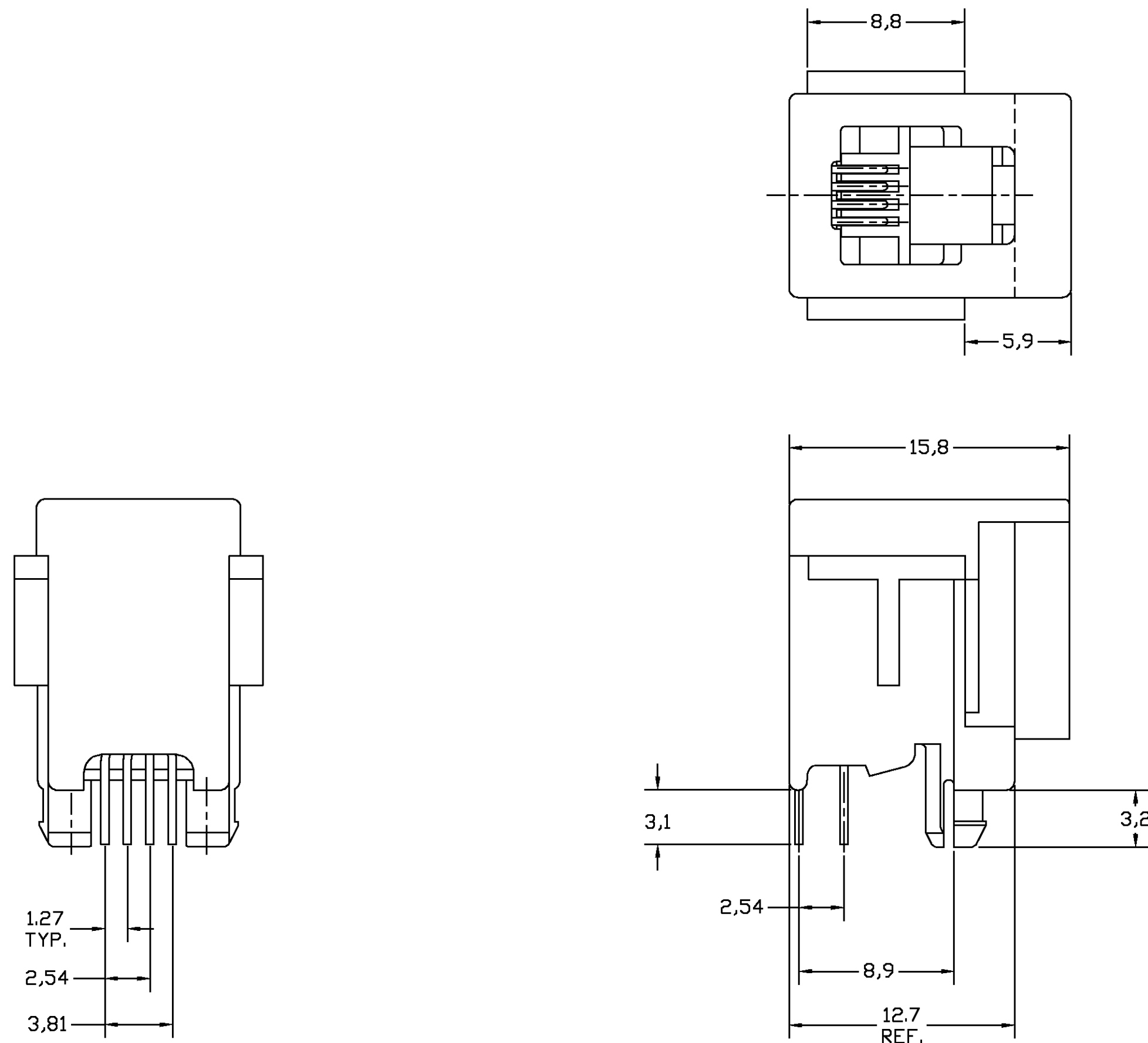
DO NOT SCALE
DIMENSIONS IN mm

METRIC

THIRD ANGLE
PROJECTION

NOTES:

- 1 TOLERANCES UNLESS OTHERWISE SPECIFIED: $\pm 0,15$
- 2 FOR APPLICATION INFORMATION SEE AMP SPEC. 114-19019.
- 3 FOR PERFORMANCE REQUIREMENTS SEE AMP SPEC. 108-19064



PRINTED CIRCUIT BOARD LAYOUT

VIEW SHOWN IS CIRCUIT (NONCOMPONENT) SIDE OF BOARD.
TOLERANCES UNLESS OTHERWISE SPECIFIED: $\pm 0,05$.
PRINTED CIRCUIT BOARD THICKNESS: 1,6 mm NOMINAL.

BULK PACKAGED 1000pcs IN A BOX	4 POSITIONS/ 4 CONTACTS.	IN CONTACT AREA: 1,2 μ m MIN. SEL. GOLD OVER 1,2 μ m MIN. NICKEL	HOUSING: PTB,UL 94-HB COLOR: BLACK	216562-3
TAPE MOUNTED 700pcs ON A 60cm DIA. REEL		SOLDER TINES: 2,0 μ m MIN. TIN-LEAD OVER 1,2 μ m MIN. NICKEL	CONTACTS: PHOSPHOR BRONZE	216562-1
PACKAGING	REMARKS	FINISH	MATERIAL	PARTNUMBER
CUSTOMER DRAWING				FOR REFERENCE ONLY WILL NOT BE UPDATED
J	SR10-0438-02	KV KV	08 OCT 02	© COPYRIGHT 19 BY AMP HOLLAND B.V. ALL INTERNATIONAL RIGHTS RESERVED. AMP PRODUCTS MAY BE COVERED BY U.S. AND FOREIGN AND/OR PATENTS PENDING. THIS DRAWING IS UNPUBLISHED RELEASED FOR PUBLICATION
H1	OU60-0073-00	KV KV	10 AUG 00	
H	EH00-1376-99	MVE MVE	22 JUL 99	
G	EH00-0939-99	JG ME	APR 99	
F	EH00-0244-98	MVE GC	15 FEB 98	
LTR.	REVISION RECORD	DR. CHK.	DATE	
DR.: Lv.d.HEJNDEN	CHK.: C.STERKEN	APP.: Lv.SOEST	DWG.No.	REV.LTR. SHEET
DATE: 1 SEP 89	DATE:	DATE:	C-216562	J 1 OF 1 A2

单击下面可查看定价，库存，交付和生命周期等信息

[>>TE Connectivity\(泰科\)](#)