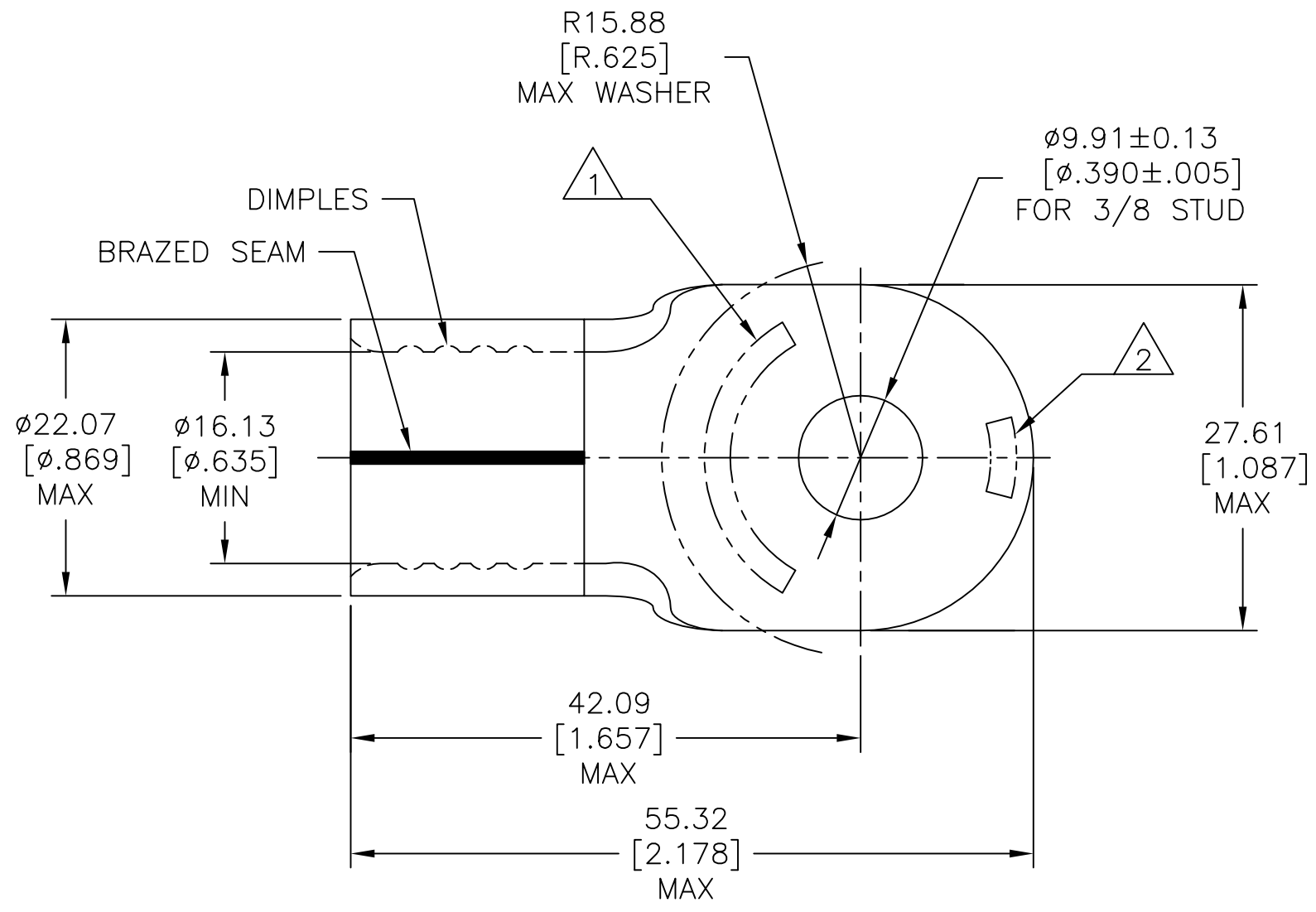


REVISIONS					
P	LTR	DESCRIPTION	DATE	DWN	APVD
	H2	REVISED PER ECO-12-002699	13FEB12	KH	DR
	H3	REVISED PER ECO-17-004099	28AUG2017	RS	DR

<b>AMP</b> WIRE RANGE	E13288 Listed
4/0 AWG SOLID OR STRANDED	4/0 AWG SOLID OR STRANDED
LR7189 Certified	MILITARY P/N AND CLASS
4/0 AWG SOLID OR STRANDED	MS 20659-123 CLASS 2



- 1 STAMP AMP 4/0W\* APPROX AS SHOWN.
- 2 STAMP AMP 200 APPROX AS SHOWN.
- 3 MATERIAL THK: 2.59±0.08 [.102±.003].
- 4 TIN PLATE 0.00254[.000100] MIN  
EXT. THK PER ASTM B545.
- 5 NICKEL PLATE 0.00762[.000300] MIN  
EXT THK PER SAE AMS QQ-N-290.
- 6 PART IS NOT UL LISTED OR CSA CERTIFIED  
OR MILITARY QUALIFIED.

343°C [650°F]	50	LOOSE PIECE	321878-1
170°C [338°F]			321878
RECOMMENDED OPERATING TEMP.	QTY.	PACKAGE TYPE	PART NUMBER

**AMP INCORPORATED  
CUSTOMER SERVICE SYSTEMS**

FOR ADDITIONAL PRODUCT INFORMATION OR COPIES OF DRAWINGS AND TECHNICAL DOCUMENTS  
 PRODUCT INFORMATION CENTER  
 1-800-522-6752

FOR APPLICATION TOOLING INFORMATION  
 TOOLING ASSISTANCE CENTER  
 1-800-722-1111

FOR ORDER ENTRY  
 1-800-526-5142

MAX RECOMMENDED OPERATING TEMPERATURE:  
SEE TABLE

VOLTAGE RATING:  
NOT APPLICABLE

WIRE CROSS SECTIONAL AREA RANGE:  
96.3-117.0mm<sup>2</sup>[190,000-231,100] CIR MILS  
SOLID OR STRANDED

THIS DRAWING IS A CONTROLLED DOCUMENT.

DIMENSIONS:  
mm [INCHES]

TOLERANCES UNLESS OTHERWISE SPECIFIED:

0 PLC ± -  
 1 PLC ± -  
 2 PLC ± 0.20[.008]  
 3 PLC ± -  
 4 PLC ± -  
 ANGLES ± -

MATERIAL  
COPPER PER ASTM B-152  
ANNEALED

FINISH  
4

DWN DK SCHRUM 5/25/93  
 CHK RD HEIM 1/27/94  
 APVD RE ROSER 1/27/94

**STE** TE Connectivity

NAME  
TERMINAL, RING TONGUE,  
SOLISTRAND, STRATO-THERM,  
4/0 AWG

SIZE A3 CAGE CODE 00779 DRAWING NO C-321878 RESTRICTED TO -

WEIGHT -

CUSTOMER DRAWING SCALE 2:1 SHEET 1 OF 1 REV H3

单击下面可查看定价，库存，交付和生命周期等信息

[>>TE Connectivity\(泰科\)](#)