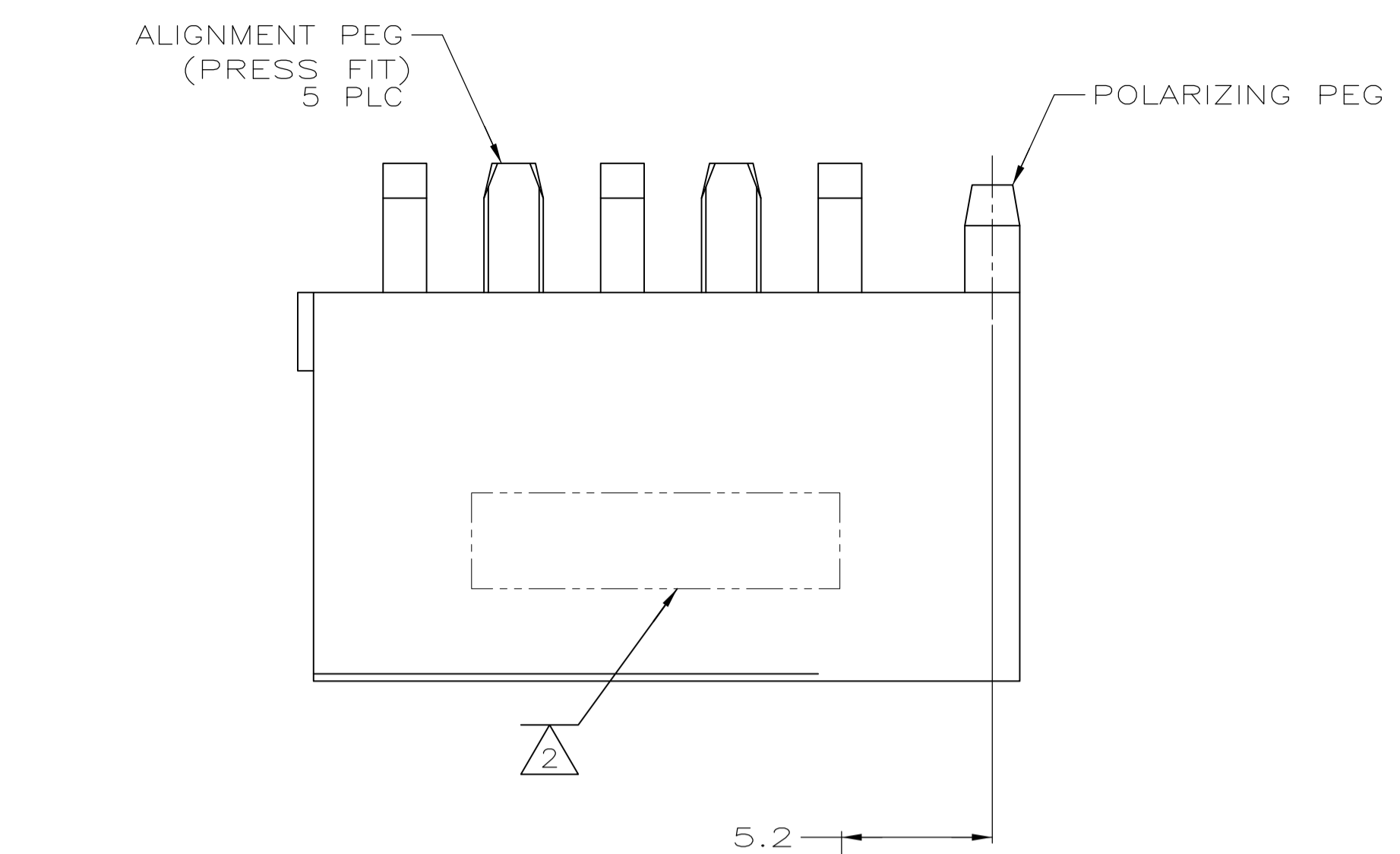
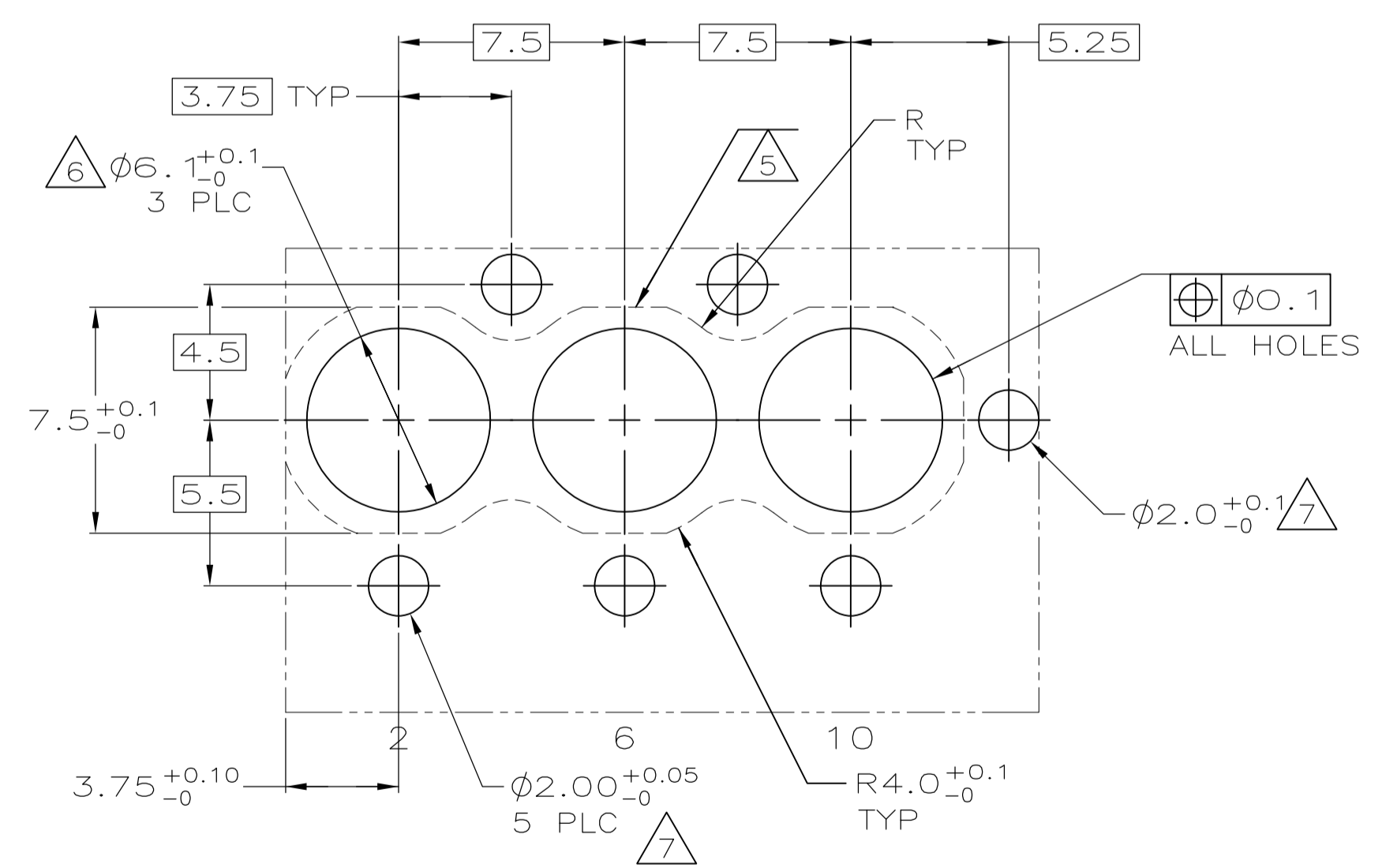
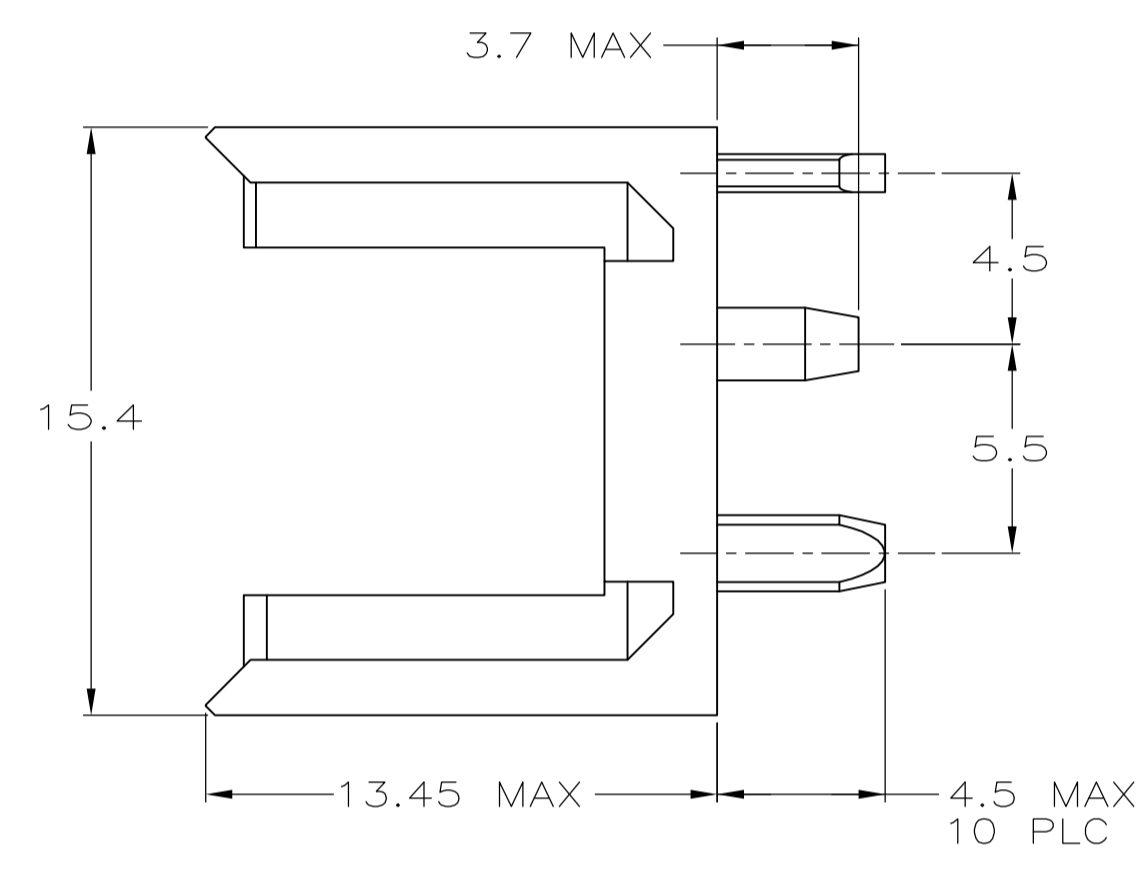
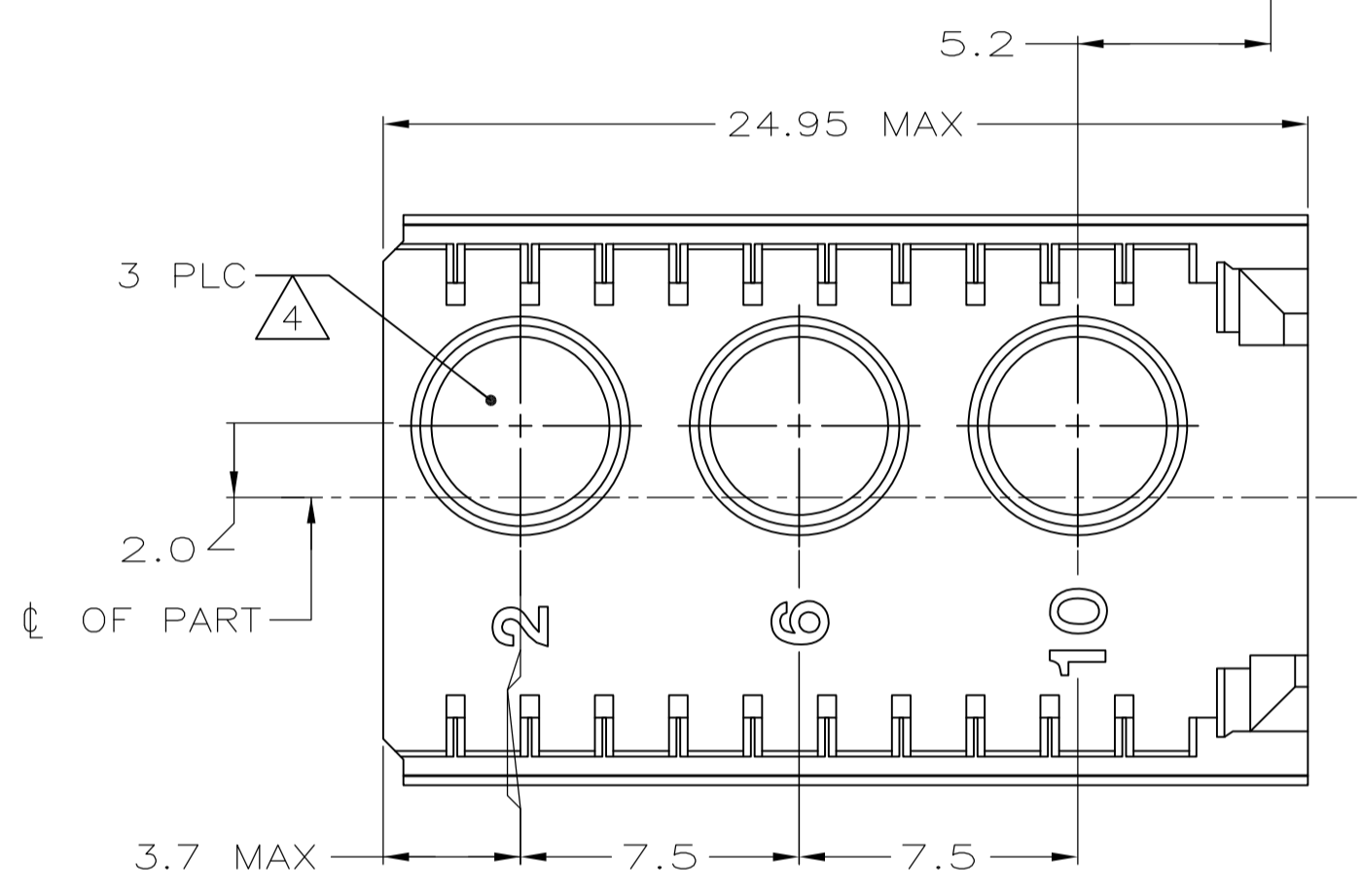


LOC		DIST		REVISIONS				
P	LTR	DATE	DWN	APVD	DESCRIPTION	DATE	DWN	APVD
0					DRAWN			
A		15SEP10	DP	MQW	ECR-10-019054			



- 1 MATERIAL:  
HOUSING: GLASS-FILLED POLYESTER.
- 2 CONNECTOR MARKED WITH PART NUMBER, (OPPOSITE SIDE).
- 3 AREA RESERVED FOR KEYING PART (BASIC P/N 100525).
- 4 CONTACT CAVITIES SUITABLE FOR  $\phi 4.8$  HIGH CURRENT, HIGH FREQUENCY (CABLE OR BOARD MOUNT) OR FIBRE OPTIC CONTACTS AS PER DIN 41626 (ALSO SEE NOTE 10 AND 11).
- 5 PATTERN FOR FIBRE OPTIC CONTACTS.
- 6 NON PLATED THROUGH HOLES FOR CABLE MOUNT APPLICATIONS. REFERENCE APPLICABLE BOARD MOUNT POWER OR COAX CONTACT DRAWING FOR PCB HOLE LAYOUT.
- 7 NON PLATED THROUGH HOLES.



RECOMMENDED PCB-HOLE LAY-OUT  
 COMPONENT SIDE SHOWN

646703-1  
 PART NUMBER

THIS DRAWING IS A CONTROLLED DOCUMENT.		DWN L. BRINER 2/27/01	AMP Incorporated Harrisburg, PA 17105-3608	
DIMENSIONS: mm		CHK R. PATTERSON 2/27/01	NAME R. PATTERSON	
TOLERANCES UNLESS OTHERWISE SPECIFIED: 3-PLC ±0.1 1-PLC ±0.1 2-PLC ±0.1 4-PLC ±0.1 ANGLES ±0.1		APVD R. PATTERSON 2/27/01	PRODUCT SPEC APPLICATION SPEC	
MATERIAL 1		FINISH -	WEIGHT -	RESTRICTED TO
CUSTOMER DRAWING		SCALE 5:1	SHEET 1 OF 1	REV A

单击下面可查看定价，库存，交付和生命周期等信息

[>>TE Connectivity\(泰科\)](#)