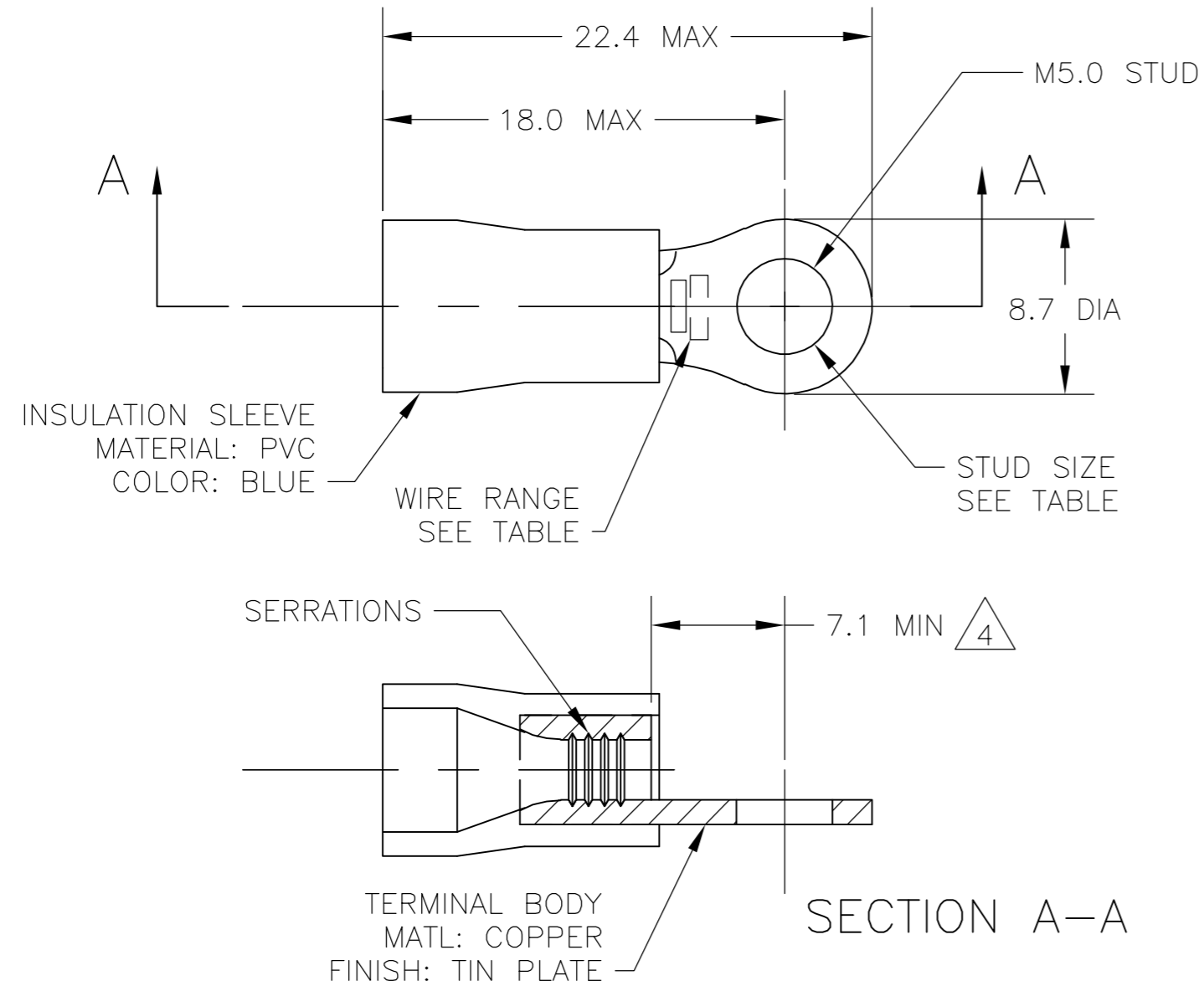


THIS DRAWING IS UNPUBLISHED. RELEASED FOR PUBLICATION
 © COPYRIGHT BY TYCO ELECTRONICS CORPORATION. ALL RIGHTS RESERVED.

LOC	DIST	REVISIONS					
		P	LTR	DESCRIPTION	DATE	DWN	APVD
G	02		S	REV PER ECR-07-006529	21MAR07	JR	TM



- 1 WIRE SIZE IS 16-14 AWG
- 2 WIRE INSULATION DIA: 3.0-4.9
- 3 MATERIAL THICKNESS IS 0.8
- 4 DIMENSION APPLIES FROM EDGE OF METAL WIRE BARREL TO END OF PIN.
- 5 SUPERSEDED BY 342144-1

POLY BAG WITH HEADER	STANDARD	100	5	7-342144-1
PLASTIC BOX	STANDARD	100	5	6-342144-1
TAPED MOUNTED	STANDARD	5000		2-342144-1
PLASTIC BAG	STANDARD	100		342144-1
PACKAGING	LABELLING	QTY		PART NO

THIS DRAWING IS A CONTROLLED DOCUMENT.		DWN jr ruth 02DEC05	Tyco Electronics Corporation Harrisburg, PA 17105-3608	
DIMENSIONS: INCHES		CHK T MICHIELUTTI 02DEC05	NAME TERMINAL, RING TONGUE, PLASTI-GRIP,	
TOLERANCES UNLESS OTHERWISE SPECIFIED:		APVD T MICHIELUTTI 02DEC05	PRODUCT SPEC	
0 PLC ± -		APPLICATION SPEC		
1 PLC ± 0.5		SIZE A2 CAGE CODE 00779 DRAWING NO C=342144		
2 PLC ± -		RESTRICTED TO		
3 PLC ± -		WEIGHT -		
4 PLC ± -		SCALE 5:1 SHEET 1 of 1 REV S		
ANGLES ± 1°		CUSTOMER DRAWING		
FINISH -				

342144

单击下面可查看定价，库存，交付和生命周期等信息

[>>TE Connectivity\(泰科\)](#)