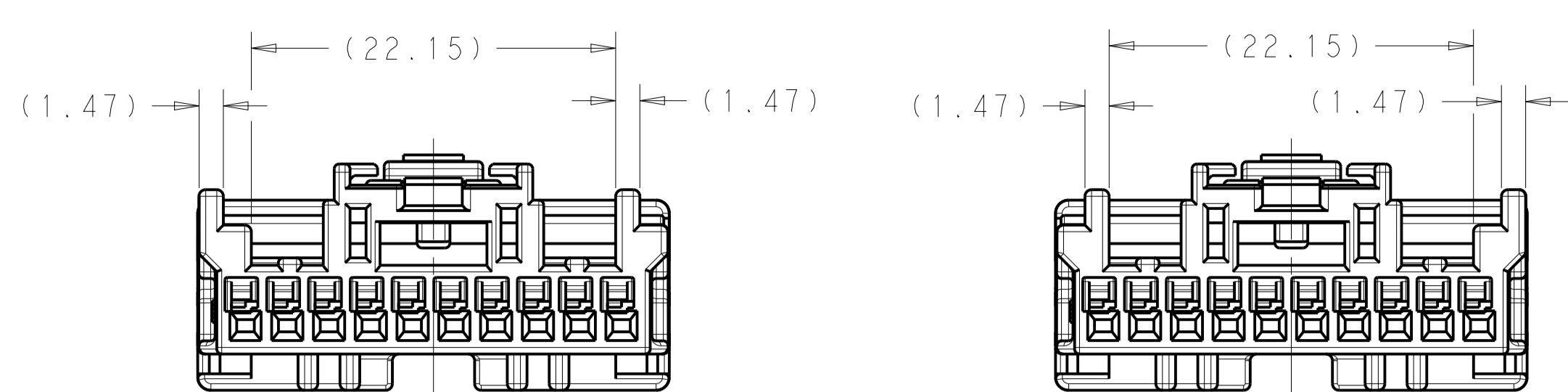
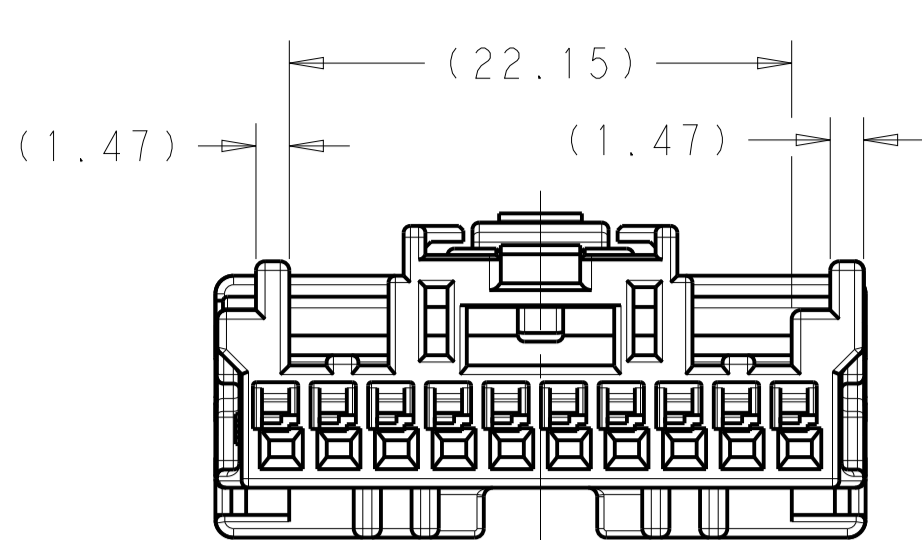


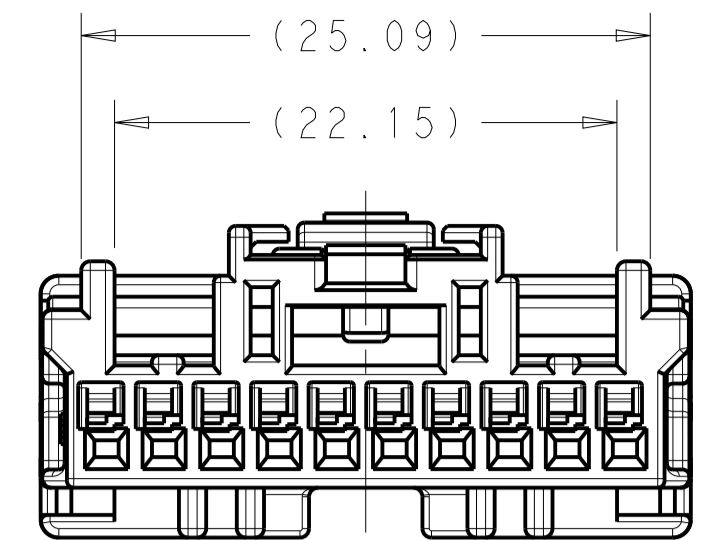
| REVISIONS | | | | |
|-----------|-----|----------------------------|-----------|---------|
| REV | LTN | DESCRIPTION | DATE | APPROV |
| A | | RELEASED PER ECO-15-011068 | 09OCT2015 | DLD CJS |
| A1 | | RELEASED PER ECO-21-004353 | 23APR2021 | SMR CS |



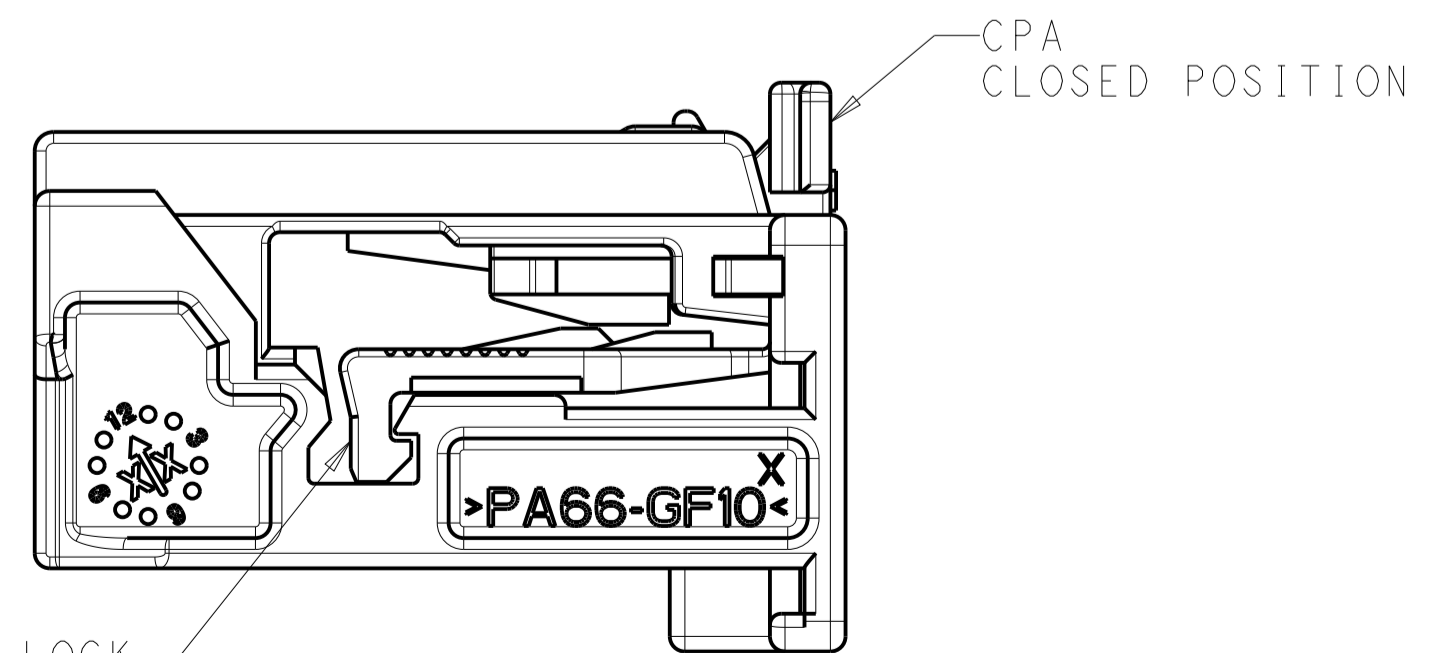
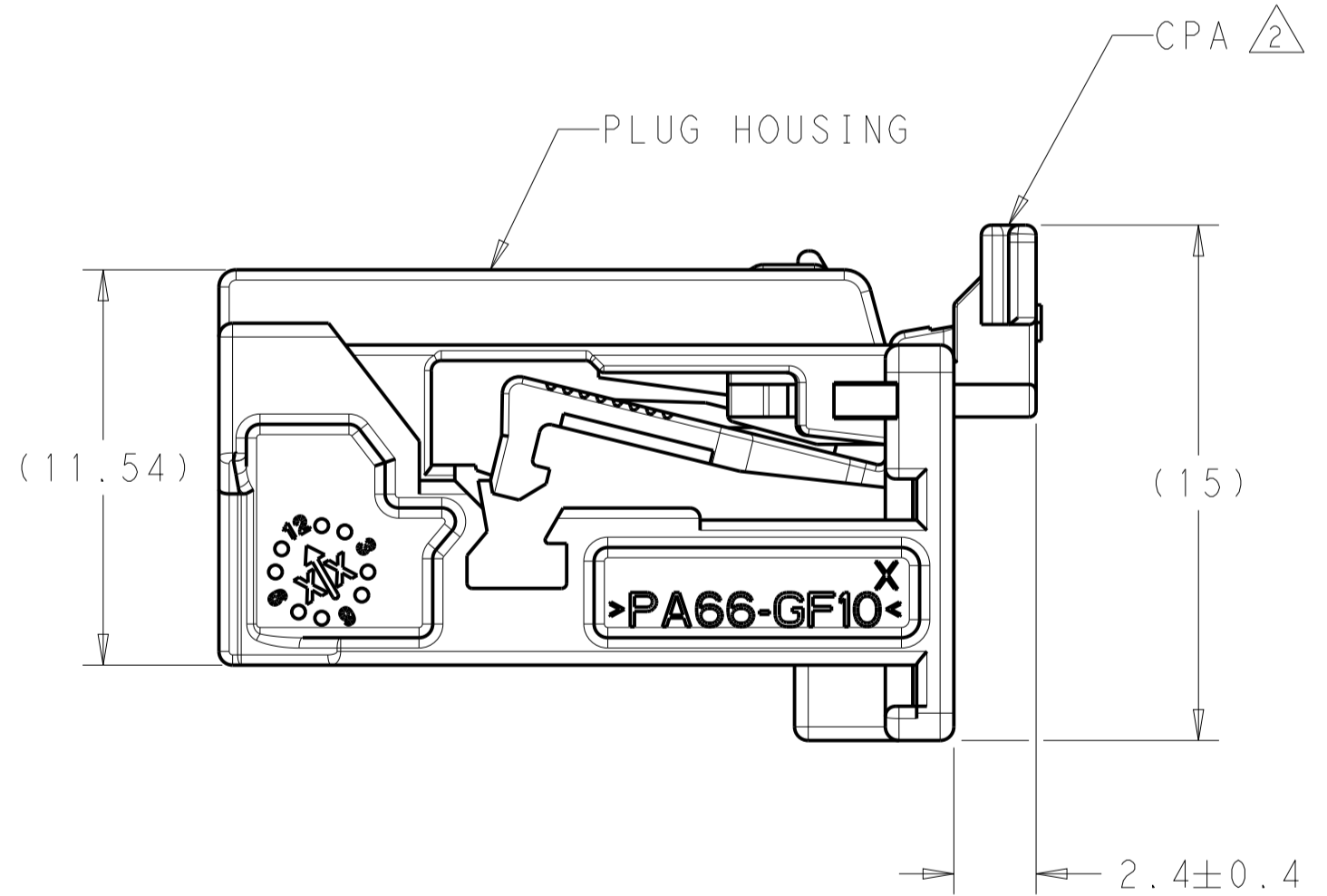
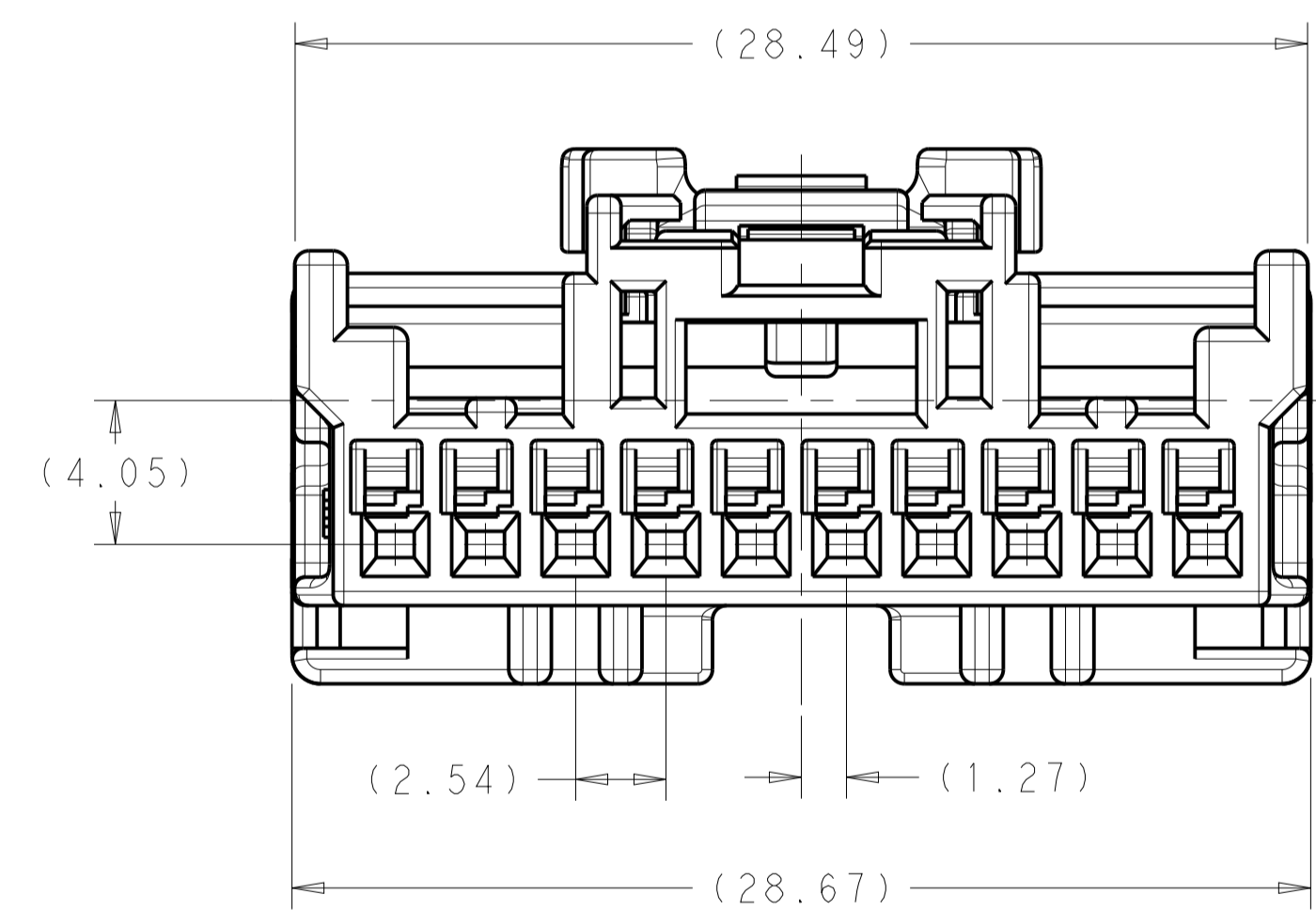
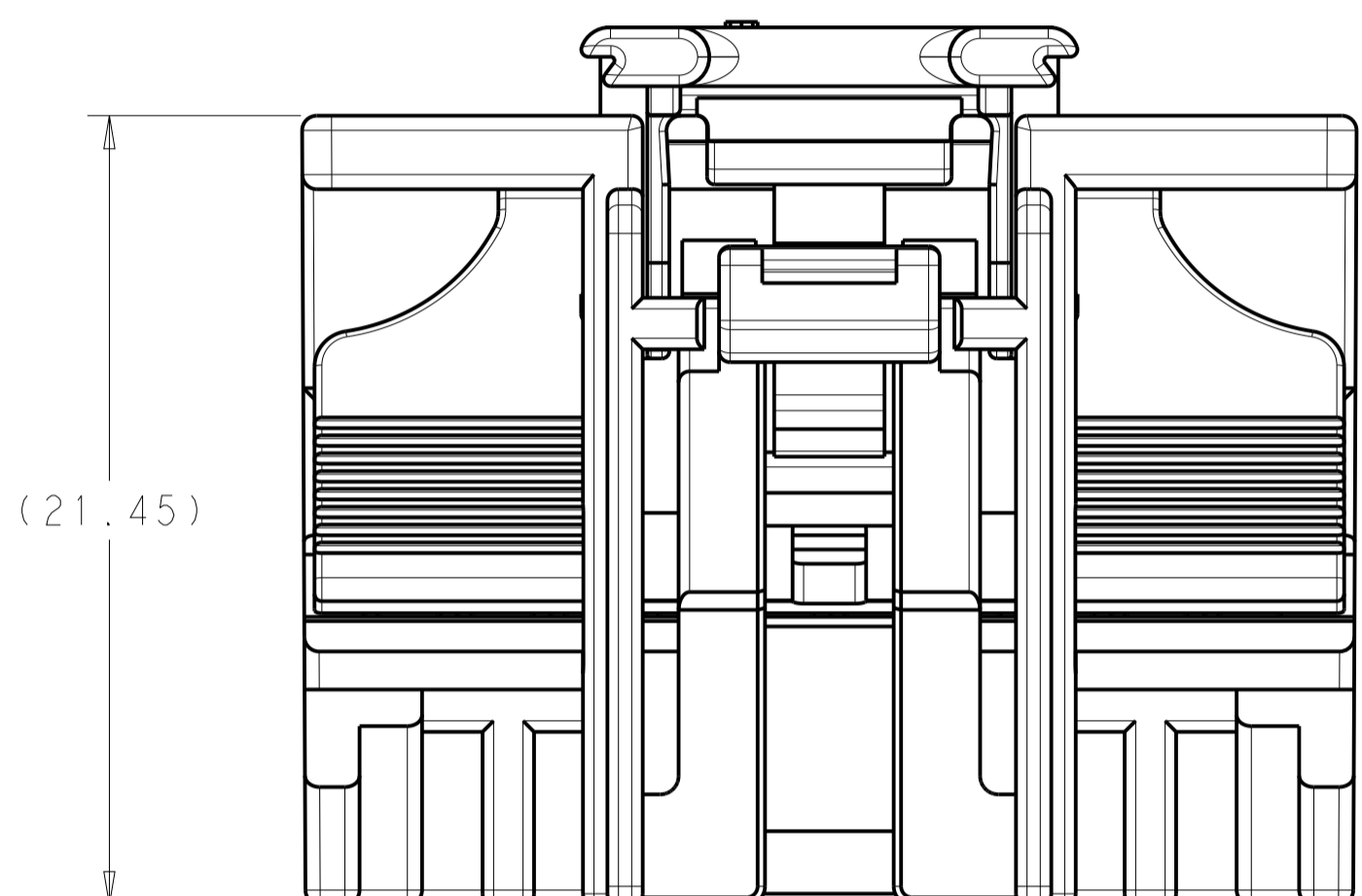
KEYING OPTION B
SCALE 3:1



KEYING OPTION D
SCALE 3:1

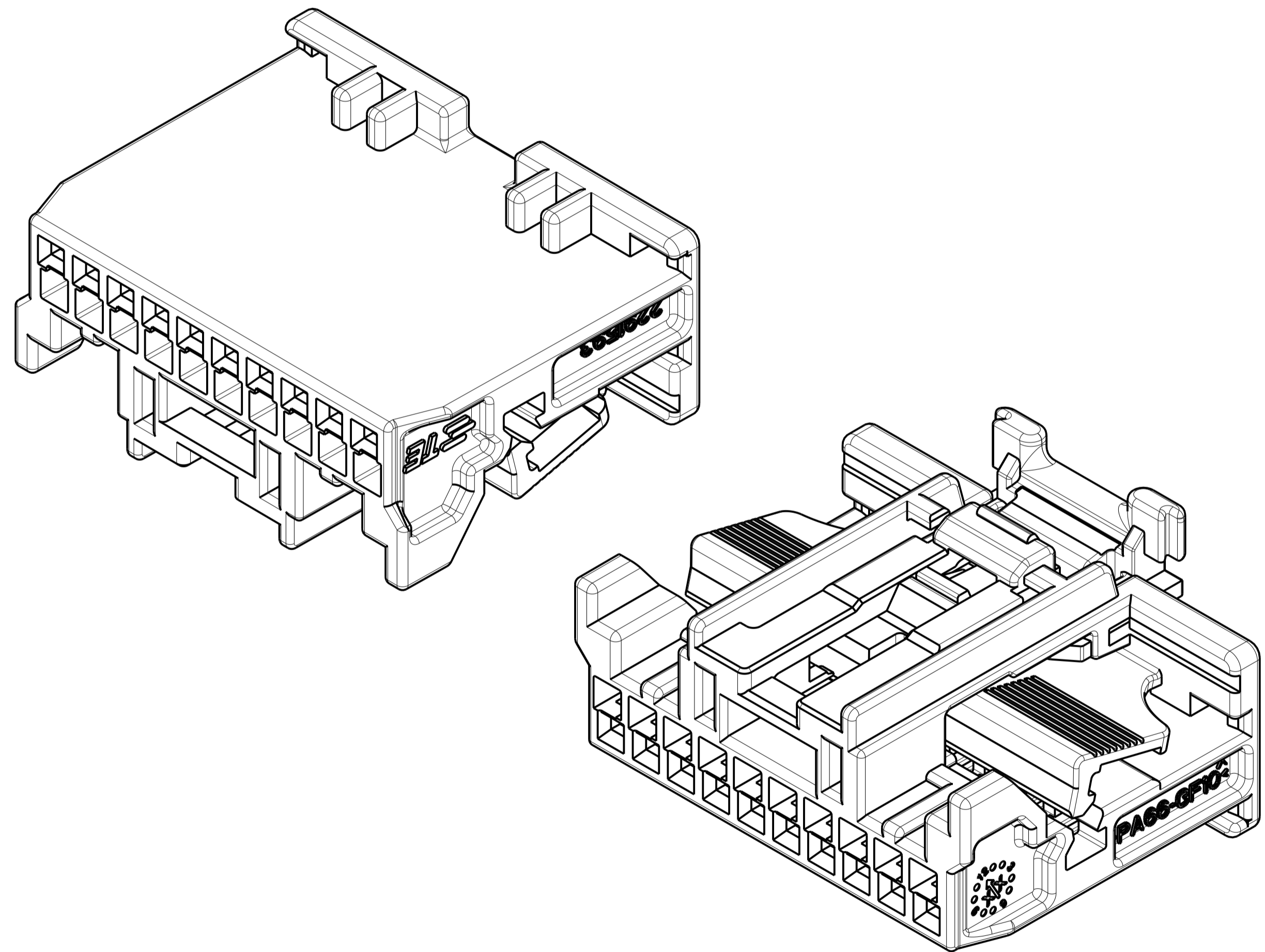


KEYING OPTION F
SCALE 3:1



SECONDARY LOCK CLOSED POSITION
2291594-1 AS ASSEMBLED

- △ MATERIAL: PLUG HOUSING - PA66, 10% GLASS FILLED, NATURAL (BROWN)
CPA - PA66, 35% GLASS FILLED, NATURAL (WHITE).
- △ CPA SHOWN IN PRE-STAGED, AS SHIPPED, POSITION.
- 3. PLUG ASSEMBLY MATES WITH USCAR INTERFACE DRAWING 064-U-010-1-Z04, REVISION LEVEL C.
- 4. PLUG ASSEMBLY WILL ACCEPT THE FOLLOWING TERMINAL PART NUMBERS BASED ON ENVIRONMENT DEFINITION:
2035170-1, 2035170-2 (FOR CONNECTOR ENVIRONMENTS T3 AND BELOW)
AND 2098165-1, 2098165-2 (FOR TRANSMISSION SPECIFIC ENVIRONMENTS WITH TEMPERATURE RATING OF T3 TRANSMISSION).
THE MAXIMUM ALLOWABLE INSULATION DIAMETER IN ANY CASE IS 1.65mm.
- △ PART NUMBERS MARKED AS PRELIMINARY HAVE NOT BEEN RELEASED PER FORMAL QUALIFICATIONS.
- 6. ASSEMBLY IS SHIPPED WITH SECONDARY LOCK IN THE PRE-LOCK POSITION AS SHOWN. SECONDARY LOCK MAY CLOSE INADVERTENTLY DURING SHIPPING. IF THIS OCCURS, RELOCATE SECONDARY LOCK TO THE OPEN POSITION PRIOR TO INSERTION OF TERMINALS. SEE INSTRUCTION SHEET 408-32069 FOR OTHER DETAILED ASSEMBLY INSTRUCTIONS.



| NO | RELEASED | KEYING OPTION | PART NUMBER |
|-----|--------------|---------------|-------------|
| YES | PRELIMINARY | F | 2291594-4 |
| YES | PRELIMINARY | D | 2291594-3 |
| YES | PRELIMINARY | B | 2291594-2 |
| YES | RELEASED | A | 2291594-1 |
| CPA | AVAILABILITY | KEYING OPTION | PART NUMBER |

2291594-1 AS SHOWN

| | | | |
|--|--------|----------------------------|--|
| THIS DRAWING IS A CONTROLLED DOCUMENT. | | OWN: D. DRUMMOND 19MAR2015 | TE Connectivity ASSEMBLY, 10 POSITION, SINGLE PIECE, GENERATION Y |
| DIMENSIONS: mm | | CHK: D. BROWN 19MAR2015 | |
| TOLERANCES UNLESS OTHERWISE SPECIFIED: | | APVD: C. SCHMID 19MAR2015 | RESTRICTED TO |
| 0 PLC | ± | PRODUCT SPEC | SIZE: CAGE CODE: DRAWING NO: |
| 2 PLC | ±0.3 | APPLICATION SPEC | SCALE: 5:1 SHEET 1 OF 1 REV: A1 |
| 3 PLC | ±0.10 | WEIGHT | |
| 4 PLC | ± | CUSTOMER DRAWING | |
| ANGLES | ± | | |
| MATERIAL | FINISH | | |

单击下面可查看定价，库存，交付和生命周期等信息

[>>TE Connectivity\(泰科\)](#)