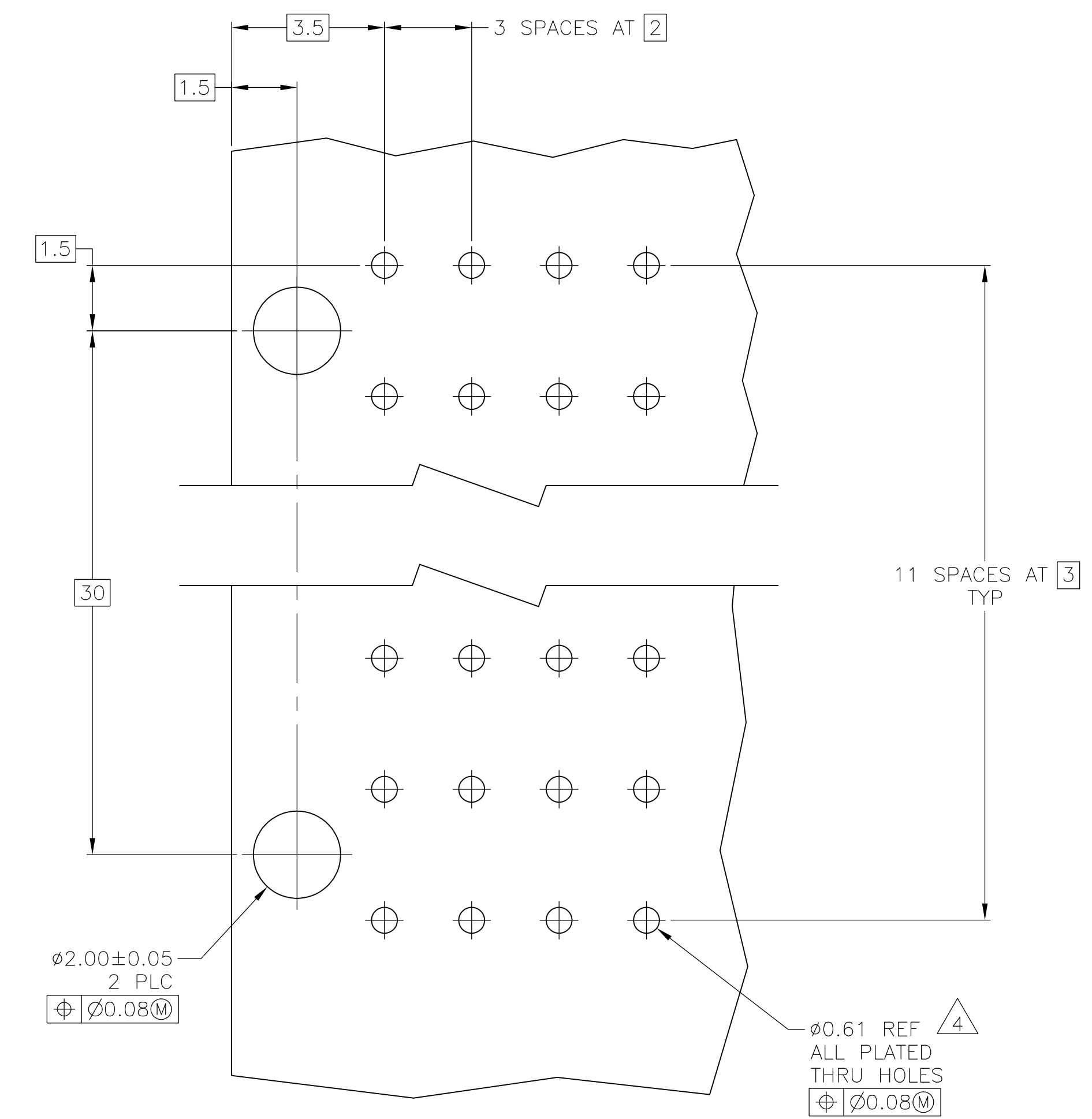
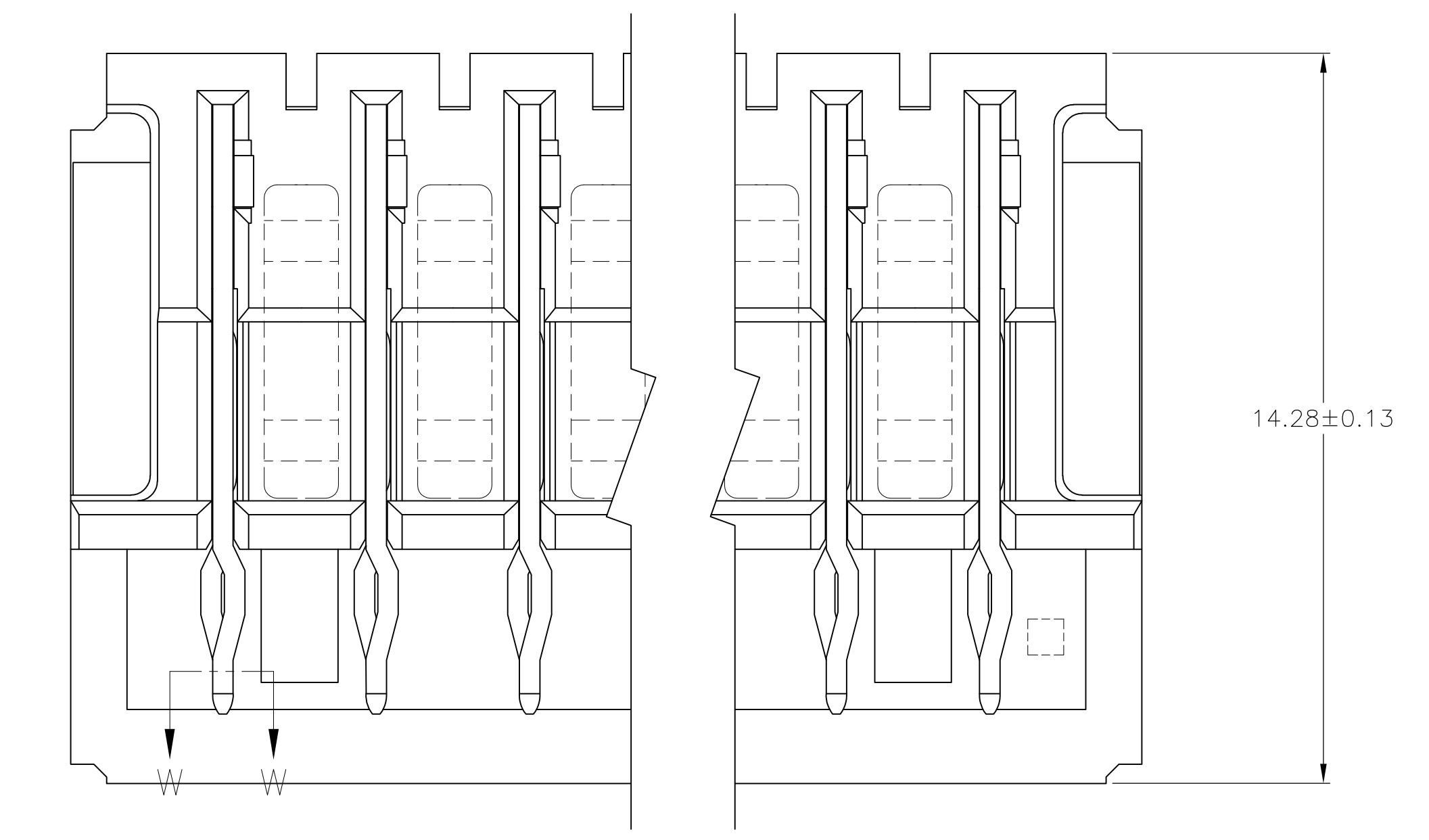
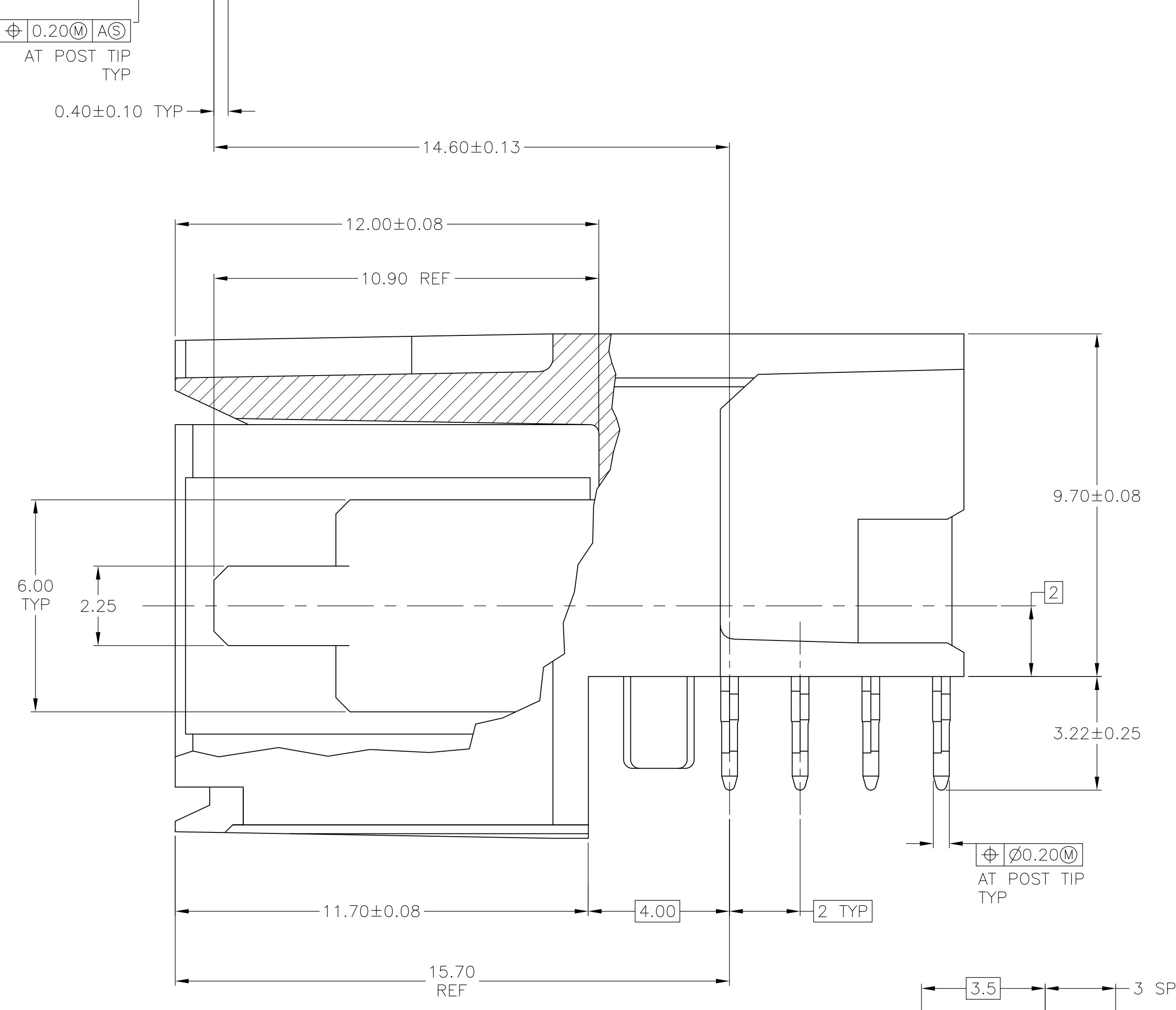
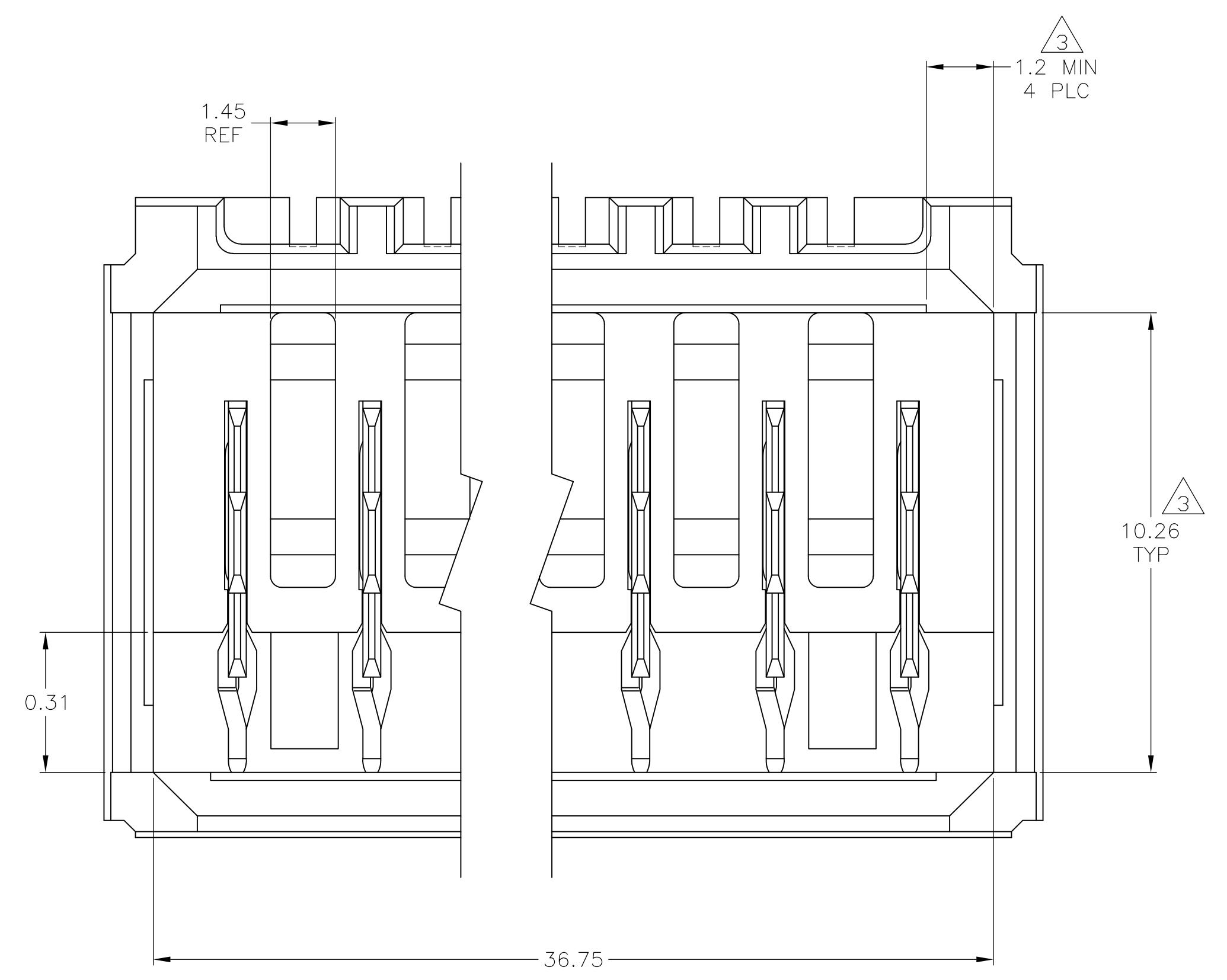


- 1 MATERIAL: HOUSING: POLYESTER. COLOR: GRAY. UL 94V-0. CONTACT: PHOSPHOR BRONZE.
- 2 FINISH: CONTACT MATING AREA: 1.27µm MIN GOLD OR 0.08µm MIN GOLD OVER 0.76µm MIN PALLADIUM-NICKEL. ACTION PIN AREA: 0.5µm MIN TIN LEAD PLATE, ALL OVER 1.27µm MIN NICKEL UNDERPLATE.
- 3 THE 10.26±0.13 DIMENSION APPLIES IN THIS AREA.
- 4 REFERENCE APPLICATION SPEC 114-1103 FOR RECOMMENDED PLATED THRU HOLE DIAMETER AND PLATING THICKNESS.
- 5. CURRENT RATING 10A/CONTACT PER PRODUCT SPEC 108-1651.



RECOMMENDED PCB HOLE LAYOUT

223996-1
PART NUMBER

THIS DRAWING IS A CONTROLLED DOCUMENT.		DATE: 12/8/99	BY: L. BRINER	REVISED PER ECO-11-000045
DIMENSIONS: UNLESS OTHERWISE SPECIFIED:		DATE: 12/8/99	BY: R. PATTERSON	REVISED PER ECO-11-000045
Ø	DIMENSION	UNIT	DESCRIPTION	DATE
Ø	1.00	PLC	PRODUCT SPEC	12/8/99
Ø	1.50	PLC	APPLICATION SPEC	
Ø	2.00	PLC	WEIGHT	
Ø	3.00	PLC	CUSTOMER DRAWING	
Ø	4.00	PLC		
Ø	5.00	PLC		
Ø	6.00	PLC		
Ø	7.00	PLC		
Ø	8.00	PLC		
Ø	9.00	PLC		
Ø	10.00	PLC		
Ø	11.00	PLC		
Ø	12.00	PLC		
Ø	13.00	PLC		
Ø	14.00	PLC		
Ø	15.00	PLC		
Ø	16.00	PLC		
Ø	17.00	PLC		
Ø	18.00	PLC		
Ø	19.00	PLC		
Ø	20.00	PLC		
Ø	21.00	PLC		
Ø	22.00	PLC		
Ø	23.00	PLC		
Ø	24.00	PLC		
Ø	25.00	PLC		
Ø	26.00	PLC		
Ø	27.00	PLC		
Ø	28.00	PLC		
Ø	29.00	PLC		
Ø	30.00	PLC		
Ø	31.00	PLC		
Ø	32.00	PLC		
Ø	33.00	PLC		
Ø	34.00	PLC		
Ø	35.00	PLC		
Ø	36.00	PLC		
Ø	37.00	PLC		
Ø	38.00	PLC		
Ø	39.00	PLC		
Ø	40.00	PLC		
Ø	41.00	PLC		
Ø	42.00	PLC		
Ø	43.00	PLC		
Ø	44.00	PLC		
Ø	45.00	PLC		
Ø	46.00	PLC		
Ø	47.00	PLC		
Ø	48.00	PLC		
Ø	49.00	PLC		
Ø	50.00	PLC		
Ø	51.00	PLC		
Ø	52.00	PLC		
Ø	53.00	PLC		
Ø	54.00	PLC		
Ø	55.00	PLC		
Ø	56.00	PLC		
Ø	57.00	PLC		
Ø	58.00	PLC		
Ø	59.00	PLC		
Ø	60.00	PLC		
Ø	61.00	PLC		
Ø	62.00	PLC		
Ø	63.00	PLC		
Ø	64.00	PLC		
Ø	65.00	PLC		
Ø	66.00	PLC		
Ø	67.00	PLC		
Ø	68.00	PLC		
Ø	69.00	PLC		
Ø	70.00	PLC		
Ø	71.00	PLC		
Ø	72.00	PLC		
Ø	73.00	PLC		
Ø	74.00	PLC		
Ø	75.00	PLC		
Ø	76.00	PLC		
Ø	77.00	PLC		
Ø	78.00	PLC		
Ø	79.00	PLC		
Ø	80.00	PLC		
Ø	81.00	PLC		
Ø	82.00	PLC		
Ø	83.00	PLC		
Ø	84.00	PLC		
Ø	85.00	PLC		
Ø	86.00	PLC		
Ø	87.00	PLC		
Ø	88.00	PLC		
Ø	89.00	PLC		
Ø	90.00	PLC		
Ø	91.00	PLC		
Ø	92.00	PLC		
Ø	93.00	PLC		
Ø	94.00	PLC		
Ø	95.00	PLC		
Ø	96.00	PLC		
Ø	97.00	PLC		
Ø	98.00	PLC		
Ø	99.00	PLC		
Ø	100.00	PLC		

单击下面可查看定价，库存，交付和生命周期等信息

[>>TE Connectivity\(泰科\)](#)