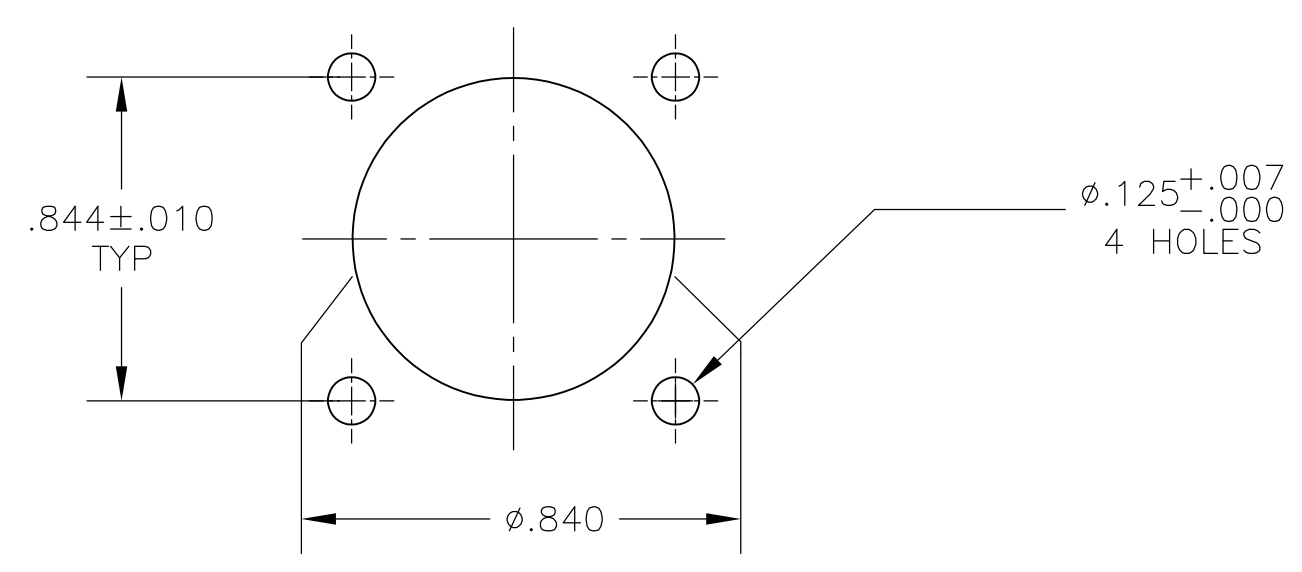
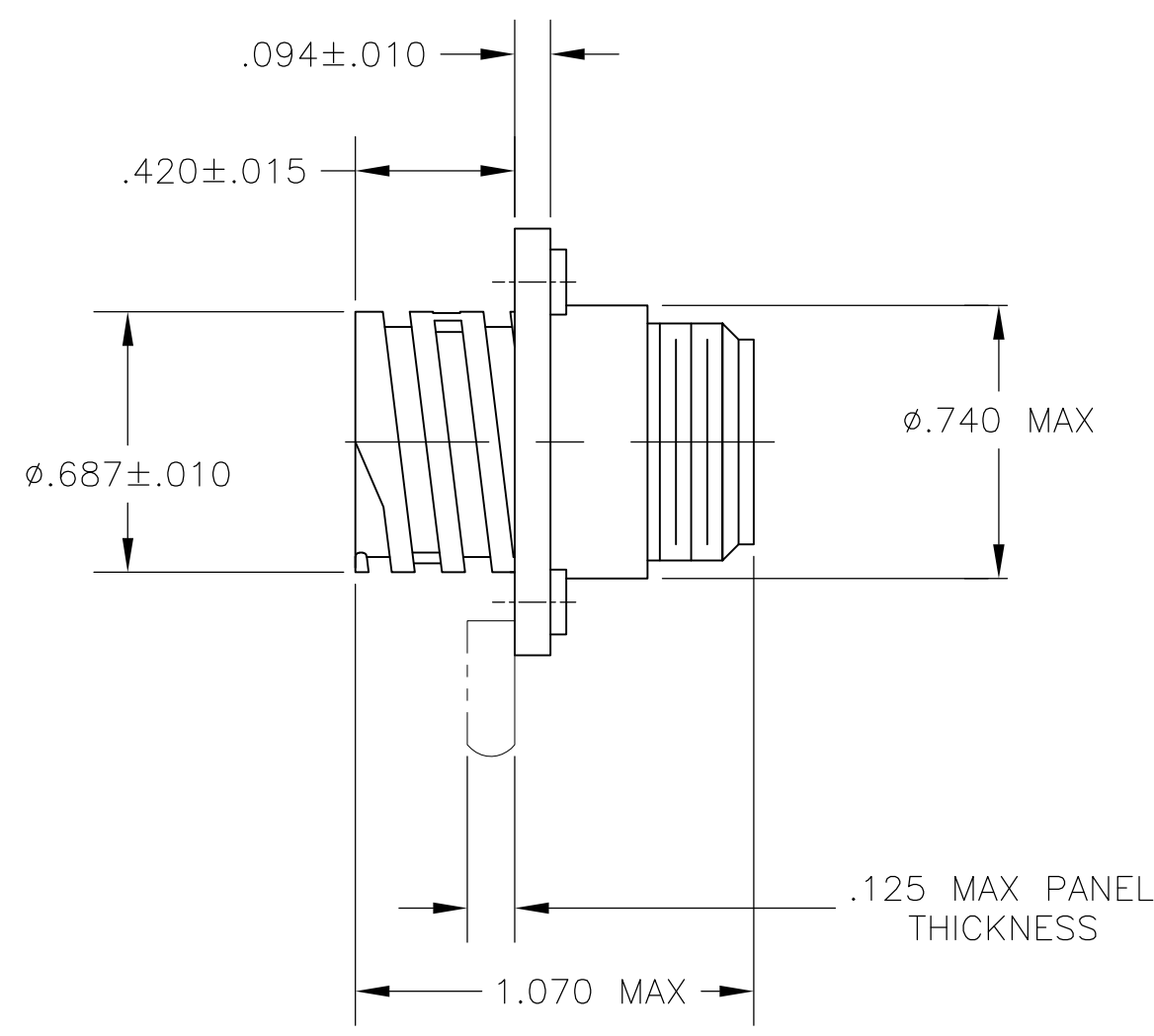
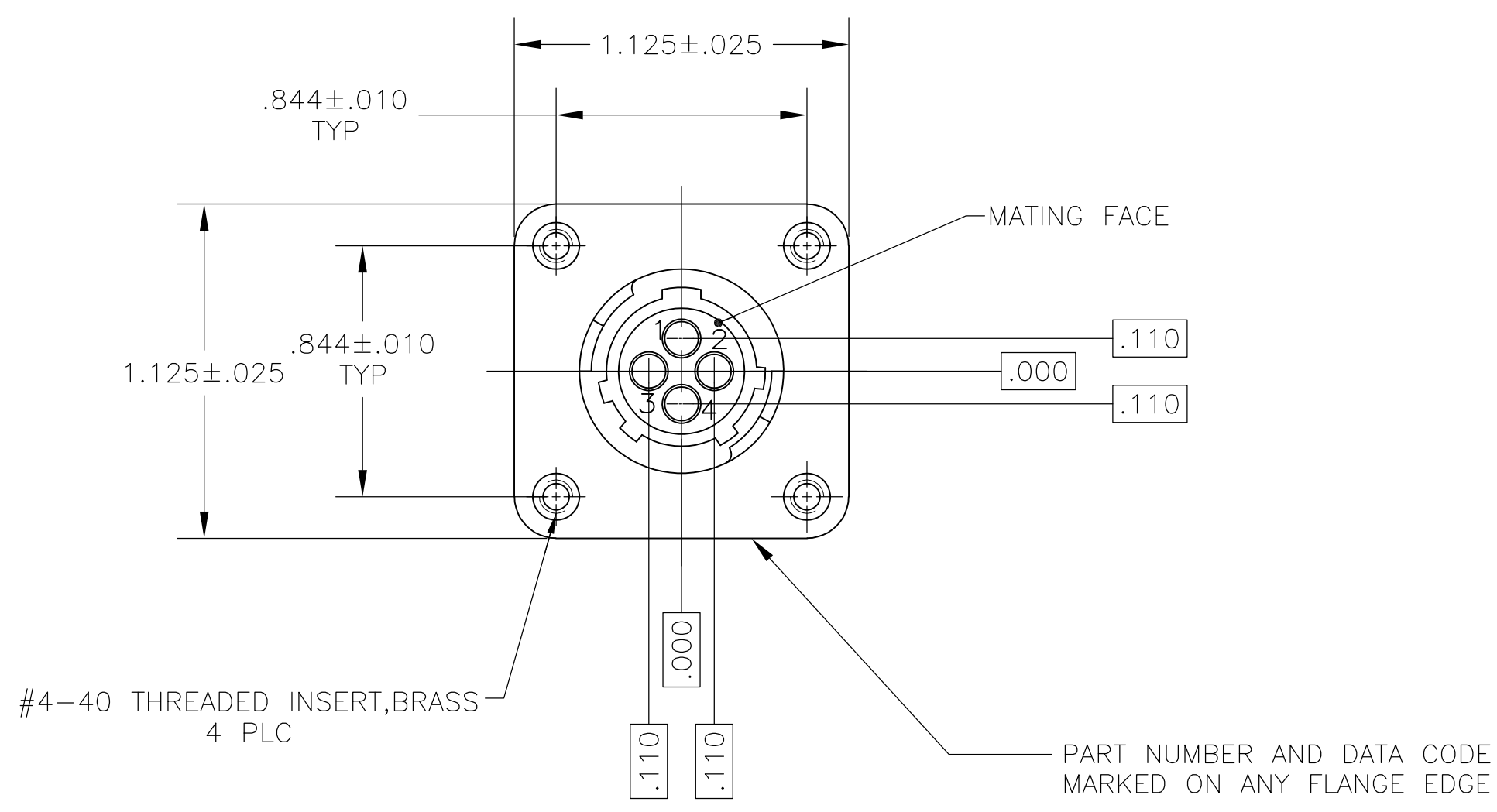


THIS DRAWING IS UNPUBLISHED. RELEASED FOR PUBLICATION
 © COPYRIGHT - By - ALL RIGHTS RESERVED.

Loc		DIST		REVISIONS			
P	LTR	DESCRIPTION		DATE	DWN	APVD	
BD	39	B		REVISED PER ECO-14-001570	12FEB2014	NK	MZ



PANEL CUTOUT
 SCALE 4:1

- 1 CONTACT CAVITIES IDENTIFIED BY CHARACTERS ON FRONT AND REAR FACES OF CONNECTOR.
- 2 CONNECTOR WILL ACCEPT FOUR (4) MULTIMATE SOCKET CONTACTS.

211102-1
 PART NUMBER

THIS DRAWING IS A CONTROLLED DOCUMENT.		DWN	S.RIDGLEY BG	8/1/90	 TE Connectivity NAME RECEPTACLE ASSYMBLY W/THREADED INSERTS, SHELL SIZE 11, REVERSE SEX, SERIES 1, CPC	
DIMENSIONS: INCHES		CHK	R. STONE	5/2/91		
TOLERANCES UNLESS OTHERWISE SPECIFIED:		APVD	K. BEAVER	5/2/91		
0 PLC ± - 1 PLC ± - 2 PLC ± - 3 PLC ± .005 4 PLC ± - ANGLES ± - FINISH -		PRODUCT SPEC	-			
MATERIAL	THERMOPLASTIC, BLACK	APPLICATION SPEC	-		SIZE	A2
CUSTOMER DRAWING		WEIGHT	-		CAGE CODE	00779
		SCALE	2:1		DRAWING NO	C=211102
		SHEET	1 of 1		RESTRICTED TO	-
		REV	B			

单击下面可查看定价，库存，交付和生命周期等信息

[>>TE Connectivity\(泰科\)](#)