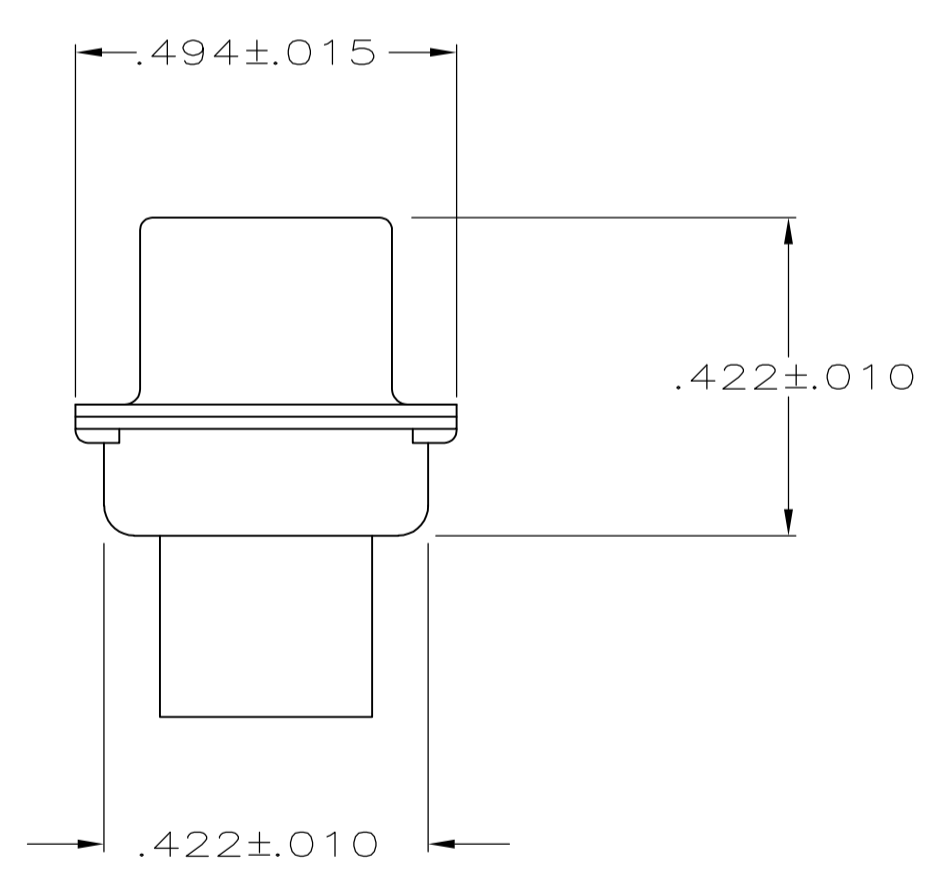
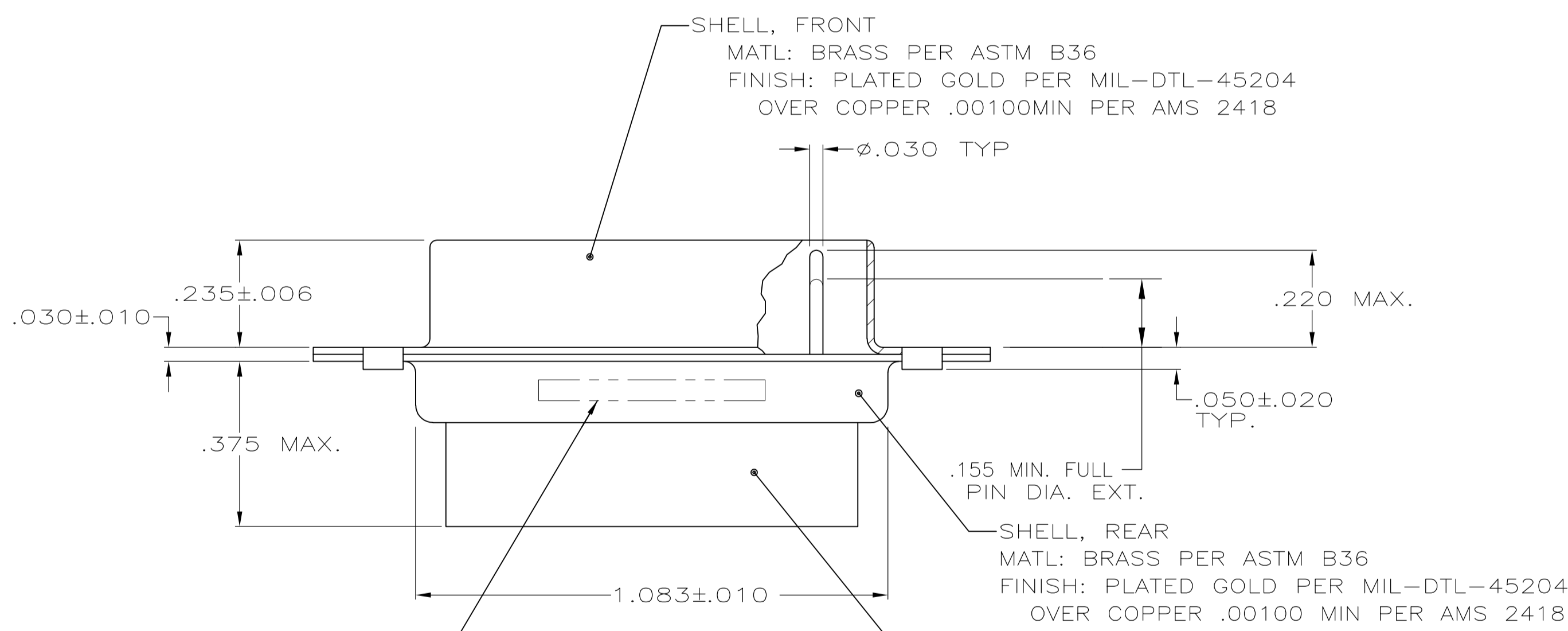
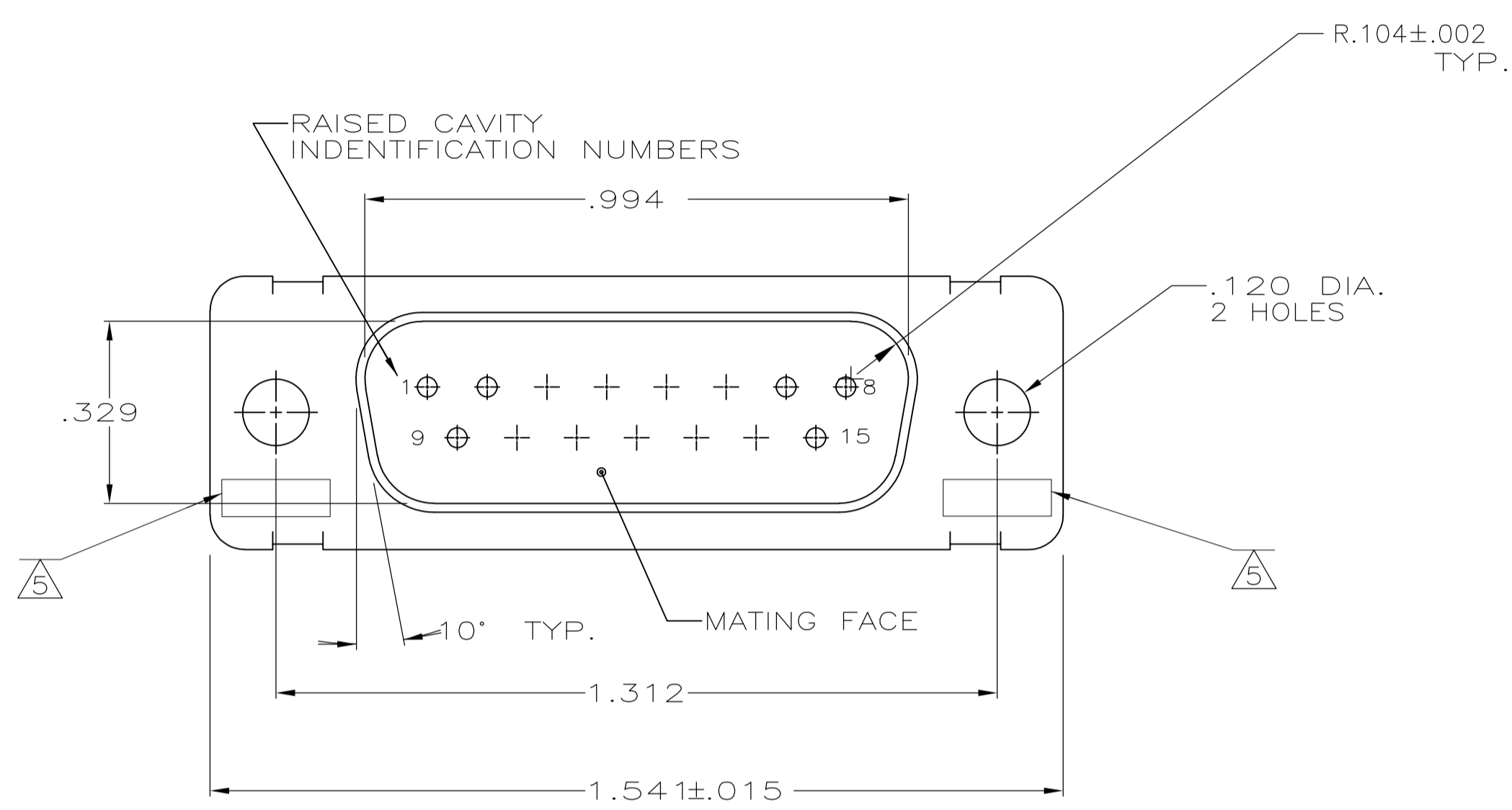


LOC		DIST		REVISIONS			
P	LTR	DESCRIPTION	DATE	DNW	APVD		
E	REV PER ECO	10-000206	1-6-09	CT	RL		



MARK MANUFACTURE'S NAME, BRAND OR LOGO, PART NUMBER AND DATE CODE FAR SIDE. CUSTOMER PART NUMBER NEAR SIDE.

1. THIS PLUG WILL MATE WITH ANY 15 POSN., SIZE 1 RECEPTACLE IN THE AMPLIMITE SERIES.
 2. MAXIMUM WIRE INSULATION USED WITH THIS CONNECTOR IS .068 DIA.
 3. BE-CU RETENTION CLIPS ARE INCLUDED IN INSERT.
 4. CONNECTOR SUPPLIED WITHOUT CONTACTS; SHOWN FOR ILLUSTRATION ONLY.
- UL/CSA DESIGNATION STAMPED IN THIS AREA.

CUSTOMER PART NUMBER	PART NO.
1A01-007PHW	1-211619-1
1A01-007	211619-2
1A01-007PHA	211619-1

THIS DRAWING IS A CONTROLLED DOCUMENT.

DIMENSIONS: INCHES	TOLERANCES UNLESS OTHERWISE SPECIFIED:	DIN T. SHUEY 11-16-87	Tyco Electronics Corporation Harrisburg, PA 17105-3608
	0. PLC ± -	CHK F.C. BALLEW III 11-30-87	
	1. PLC ± -	APVD F.C. BALLEW III 11-30-87	
	2. PLC ± -	NAME PRODUCT SPEC	PLUG ASSEMBLY, AMPLIMITE 15 POSITION, SIZE 2, SERIES 109, NON-MAGNETIC
	3. PLC ± .005	APPLICATION SPEC	
	4. PLC ± -	SIZE	RESTRICTED TO
	ANGLES ± ± 0°30'	WEIGHT	
MATERIAL SEE CALLOUTS	FINISH SEE CALLOUTS	CUSTOMER DRAWING	SCALE 4:1 SHEET 1 OF 1 REV E

单击下面可查看定价，库存，交付和生命周期等信息

[>>TE Connectivity\(泰科\)](#)