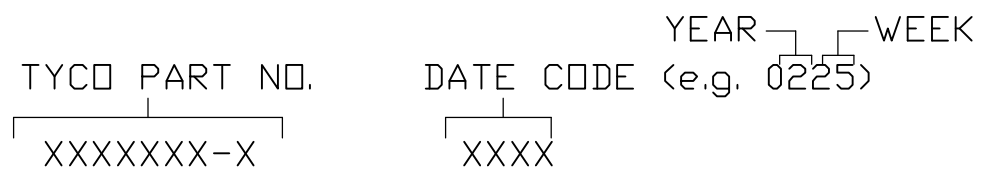


THIS DRAWING IS UNPUBLISHED. RELEASED FOR PUBLICATION
 © COPYRIGHT 2005 BY TYCO ELECTRONICS CORPORATION. ALL RIGHTS RESERVED.

LOC	DIST	REVISIONS					
GP	00	P	LTR	DESCRIPTION	DATE	DWN	APVD
			A	INITIAL RELEASE	05OCT2006	GIP	DO

5 RECOMMENDED MOUNTING HARDWARE TO BE ORDERED SEPARATELY FOR REFERENCE ONLY:
 FOR PANEL MOUNTING USE:
 1650402-1, 8-32 SHOULDER SCREW
 1650589-1, M4 X 0.7 SHOULDER SCREW

4 ITEMS PROVIDED TO THIS SPECIFICATION TO BE PERMANENTLY IDENTIFIED PER THE FOLLOWING IDENTIFIER:



2. MATERIALS:
 HOUSINGS: THERMOPLASTIC, GLASS REINFORCED, UL94V-0 FLAMMABILITY RATED, COLOR-BLACK.
 RETENTION CLIPS: BERYLLIUM COPPER OR STAINLESS STEEL.
1. PART NUMBER CHANGES AND OR DESIGN CHANGES AFFECTING ITEM INTERCHANGEABILITY REQUIRE PRIOR TYCO APPROVAL AND AUTHORIZATION BY REVISION TO THIS DRAWING.

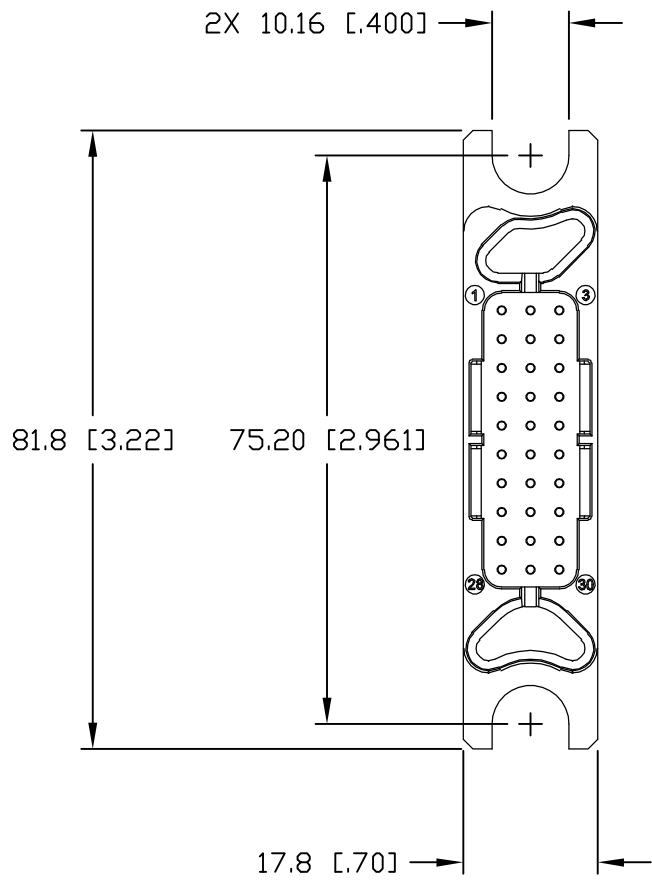
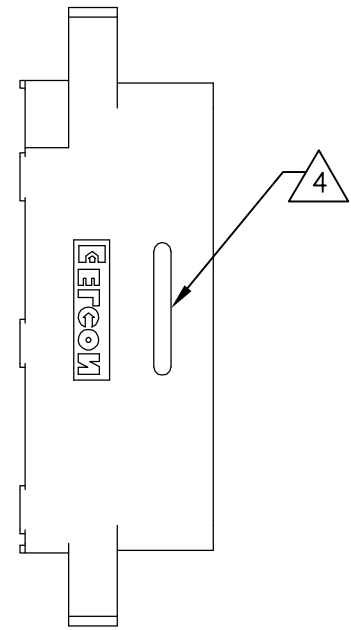
AS SHOWN	6651204-1
DESCRIPTION	PART NUMBER

THIS DRAWING IS A CONTROLLED DOCUMENT.		DWN G.PETERS 05OCT2006	Tyco Electronics Corporation Harrisburg, PA 17105-3608			
DIMENSIONS: mm		CHK D.ORRIS 05OCT2006				
TOLERANCES UNLESS OTHERWISE SPECIFIED:		APVD S.FLICKINGER 05OCT2006	NAME			
0 PLC ± - 1 PLC ± - 2 PLC ± .5 [.02] 3 PLC ± .25 [.010] 4 PLC ± - ANGLES ± .5		PRODUCT SPEC	CONNECTOR HOUSING, STRAIGHT PIN POS30 WITH RETENTION CLIPS			
MATERIAL		APPLICATION SPEC	SIZE	CAGE CODE	DRAWING NO	RESTRICTED TO
FINISH		WEIGHT	A3	00779	C-6651204	-
CUSTOMER DRAWING			SCALE	SHEET	REV	
			1:1	1 OF 3	A	

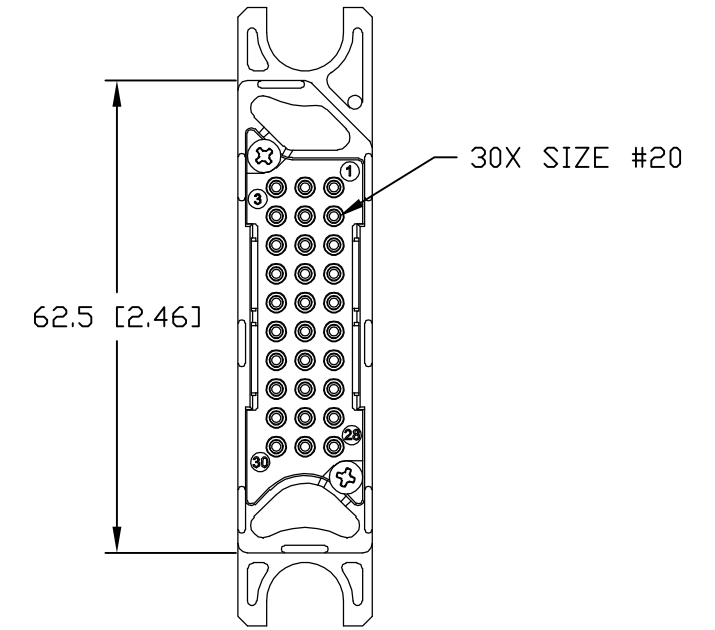
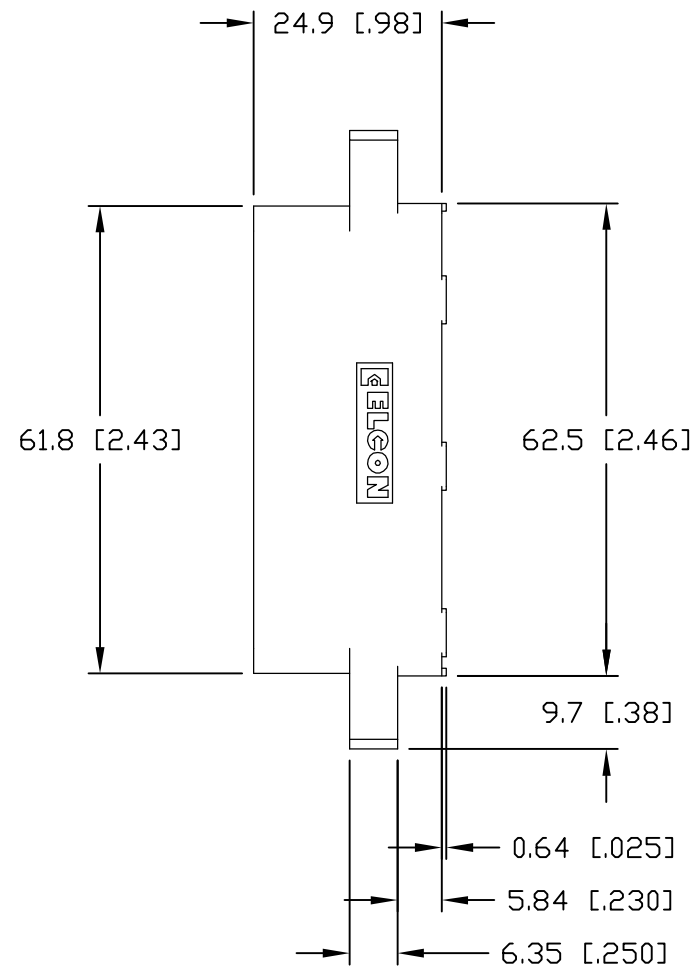
ELCON POS30 MINI DRAWER HOUSING

THIS DRAWING IS UNPUBLISHED. RELEASED FOR PUBLICATION
 © COPYRIGHT 2005 BY TYCO ELECTRONICS CORPORATION. ALL RIGHTS RESERVED.

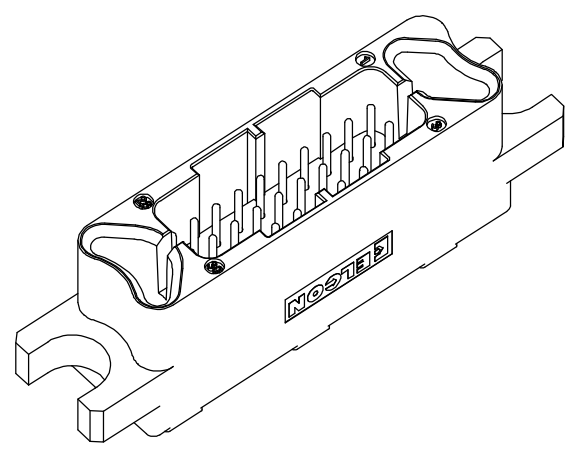
LOC	DIST	REVISIONS			
P	LTR	DESCRIPTION	DATE	DWN	APVD
GP	00	SEE SHEET 1	-	-	-



FRONT VIEW



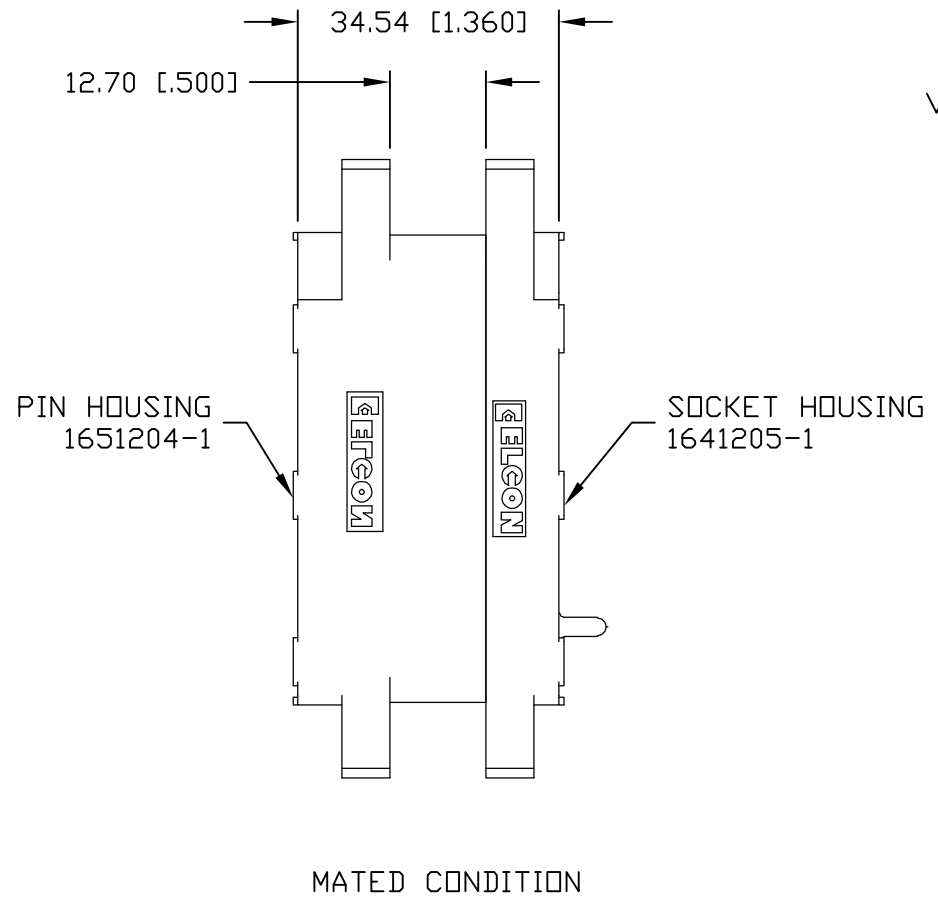
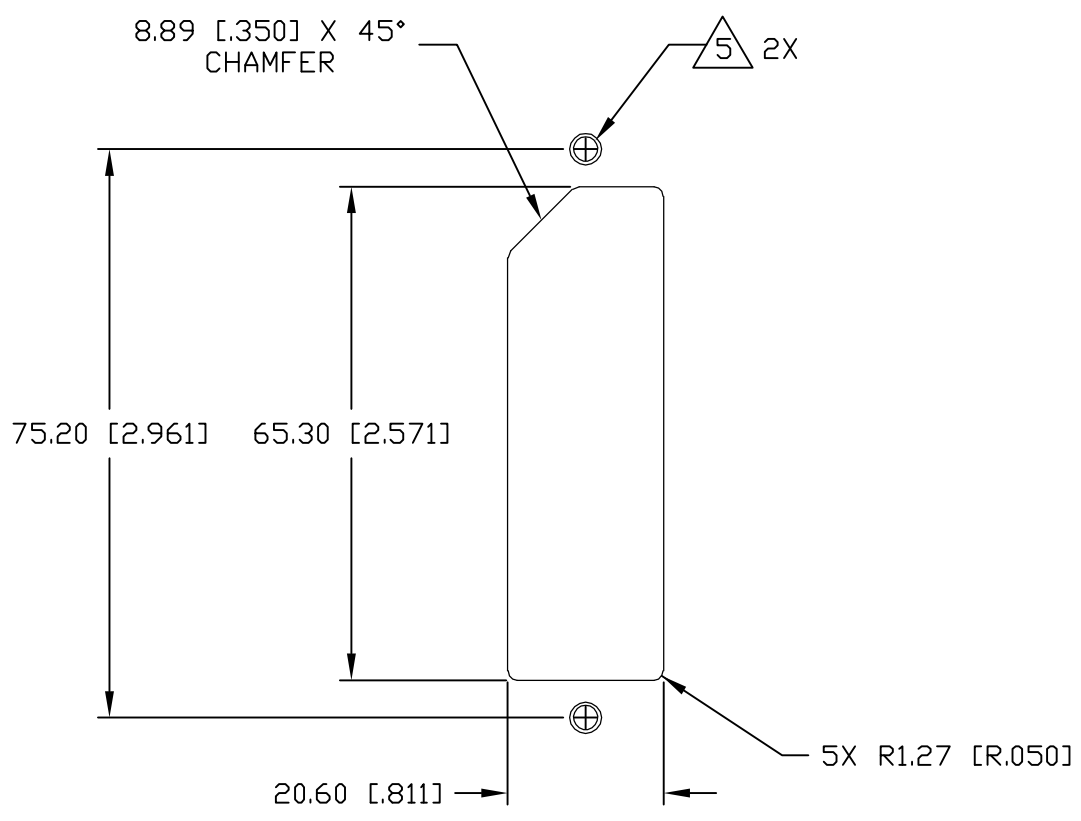
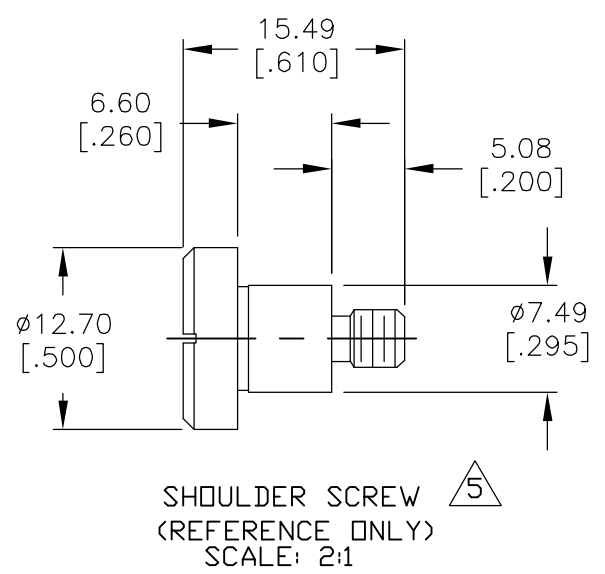
REAR VIEW



THIS DRAWING IS A CONTROLLED DOCUMENT.		DWN G.PETERS	05OCT2006	Tyco Electronics Corporation Harrisburg, PA 17105-3608	
DIMENSIONS: mm		CHK D.ORRIS	05OCT2006		
TOLERANCES UNLESS OTHERWISE SPECIFIED:		APVD S.FLICKINGER	05OCT2006	NAME CONNECTOR HOUSING, STRAIGHT PIN POS30 WITH RETENTION CLIPS	
0 PLC ± - 1 PLC ± - 2 PLC ± .5 [.02] 3 PLC ± .25 [.010] 4 PLC ± - ANGLES ± .5		PRODUCT SPEC -		APPLICATION SPEC -	
MATERIAL -		FINISH -		WEIGHT -	
CUSTOMER DRAWING				SIZE A3	CAGE CODE 00779
				DRAWING NO C-6651204	RESTRICTED TO -
				SCALE 1:1	SHEET 2 OF 3
				REV A	

THIS DRAWING IS UNPUBLISHED. RELEASED FOR PUBLICATION
 © COPYRIGHT 2005 BY TYCO ELECTRONICS CORPORATION. ALL RIGHTS RESERVED.

LOC	DIST	REVISIONS			
P	LTR	DESCRIPTION	DATE	DWN	APVD
GP	00	SEE SHEET 1	-	-	-



THIS DRAWING IS A CONTROLLED DOCUMENT.		DWN G.PETERS 05OCT2006	Tyco Electronics Corporation	
DIMENSIONS: mm		CHK D.ORRIS 05OCT2006	Harrisburg, PA 17105-3608	
TOLERANCES UNLESS OTHERWISE SPECIFIED:		APVD S.FLICKINGER 05OCT2006	NAME	
0 PLC ± - 1 PLC ± - 2 PLC ± .5 [.02] 3 PLC ± .25 [.010] 4 PLC ± - ANGLES ± .5		PRODUCT SPEC -	CONNECTOR HOUSING, STRAIGHT PIN POS30 WITH RETENTION CLIPS	
MATERIAL -		APPLICATION SPEC -	SIZE A3	CAGE CODE 00779
FINISH -		WEIGHT -	DRAWING NO C-6651204	RESTRICTED TO -
CUSTOMER DRAWING			SCALE 1:1	SHEET 3 OF 3
			REV A	

单击下面可查看定价，库存，交付和生命周期等信息

[>>TE Connectivity\(泰科\)](#)