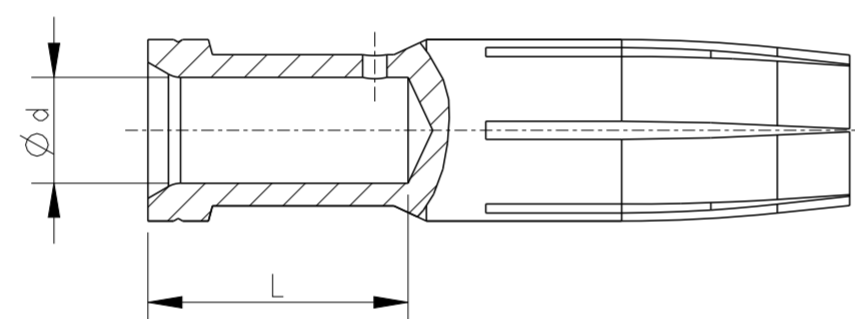
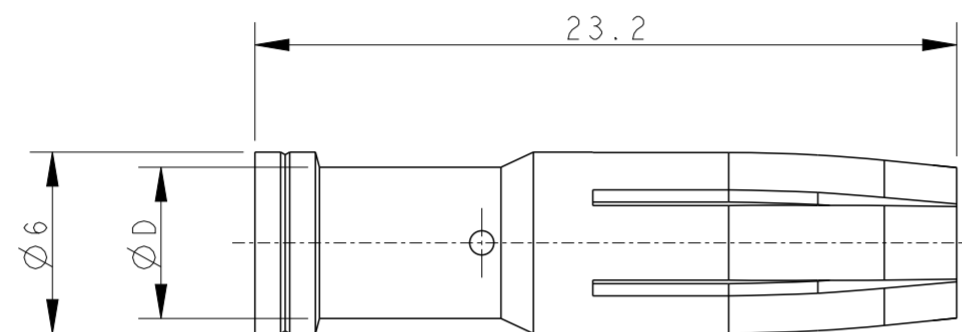
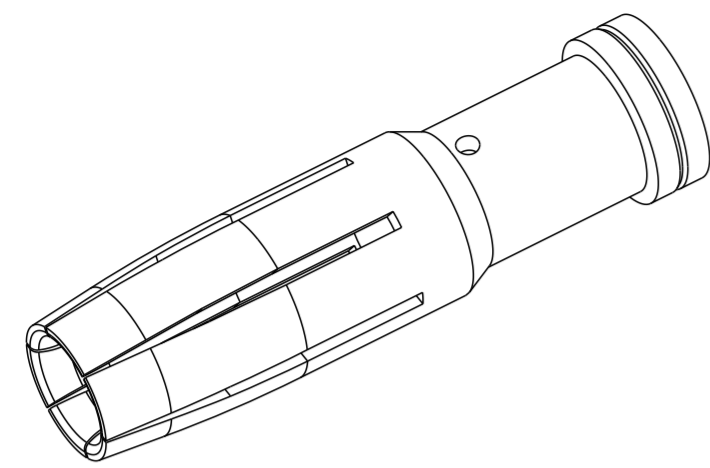
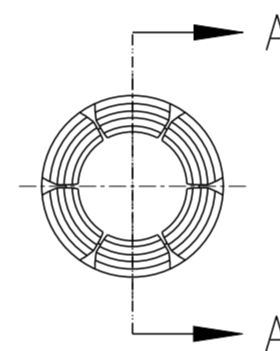


P	LTR	DESCRIPTION	DATE	DWN	APVD
A		INITIAL RELEASE	21SEP2023	DW	CW



SECTION A-A



NOTES:
 1. TECHNICAL CHARACTERISTICS:
 CONTACT MATERIAL: COPPER ALLOY
 SURFACE PLATING: SILVER
 CONTACT RESISTANCE: $\leq 3.0m\Omega$
 WIRE RANGE: 4.0-6.0 mm² (12-10 AWG)

注释:
 1. 技术参数:
 公针材料: 铜合金
 表面电镀: 镀银
 接触电阻: $\leq 3.0m\Omega$
 接线范围: 4.0-6.0 mm² (12-10 AWG)

PART NUMBER 料号	PART DESCRIPTION 描述		Ød	ØD	WIRE GAUGE 线规		STRIPPING LENGTH 剥线长度 (mm)
					MM ²	AWG	
T2040052040-000	HMF-4.0	HMF-4.0, SILVER PLATING HMF母针 4.0mm ² , 镀银, 高插拔	2.85	3.85	4.0	12	9.2
T2040052060-000	HMF-6.0	HMF-6.0, SILVER PLATING HMF母针 6.0mm ² , 镀银, 高插拔	3.50	5.00	6.0	10	

THIS DRAWING IS A CONTROLLED DOCUMENT.

DWN	21SEP2023	DAVID WANG
CHK	21SEP2023	GINO YAO
APVD	21SEP2023	CHRIS WANG

TE Connectivity

NAME: HMF
MM SOCKET CONTACT

PRODUCT SPEC	108-137694
APPLICATION SPEC	114-137694
SIZE	A2
CAGE CODE	00779
DRAWING NO	T2040052XXX000
RESTRICTED TO	-

CUSTOMER DRAWING SCALE 4:1 SHEET 1 OF 1 REV A

单击下面可查看定价，库存，交付和生命周期等信息

[>>TE Connectivity\(泰科\)](#)