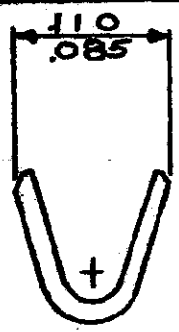
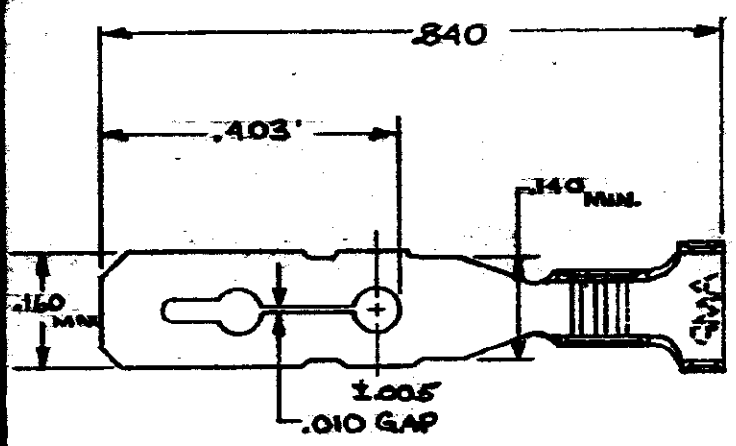
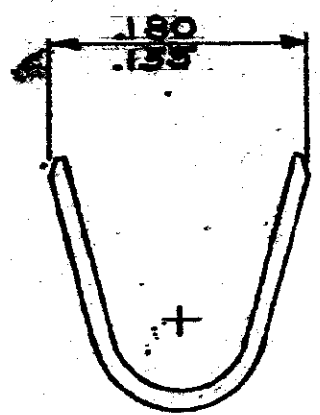
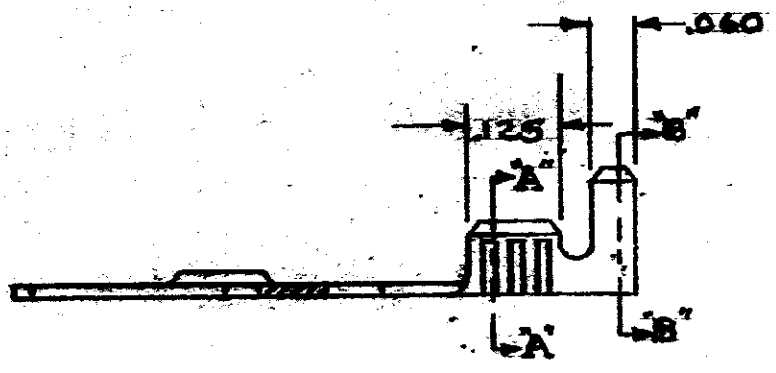


61723



SECT. A-A



SECT. B-B

TERMINAL NUMBER
61723-1

APPROVED	A-2375	DR	CHK	DATE
WAS				
P9-7339				
BANKS				

AMP INCORPORATED, ALL RIGHTS RESERVED. AMP PRODUCTS COVERED BY PATENTS AND/OR SERVICE MARKS.

MATERIAL AND FINISH
 .012 PH-BRONZE
 NONE

WIRE - RANGE - INSULATION
 22-18 | .075-.110

TOLERANCE EXCEPT AS NOTED
 ± .015 ± 1°

SCALE
 1:1

LOC AF NO 61723

NAME
 CLIP, TAB

AMP INCORPORATED HARRISBURG, PENNA.

单击下面可查看定价，库存，交付和生命周期等信息

[>>TE Connectivity\(泰科\)](#)