

4

3

2

1

THIS DRAWING IS UNPUBLISHED.

RELEASED FOR PUBLICATION

,19

© COPYRIGHT 19

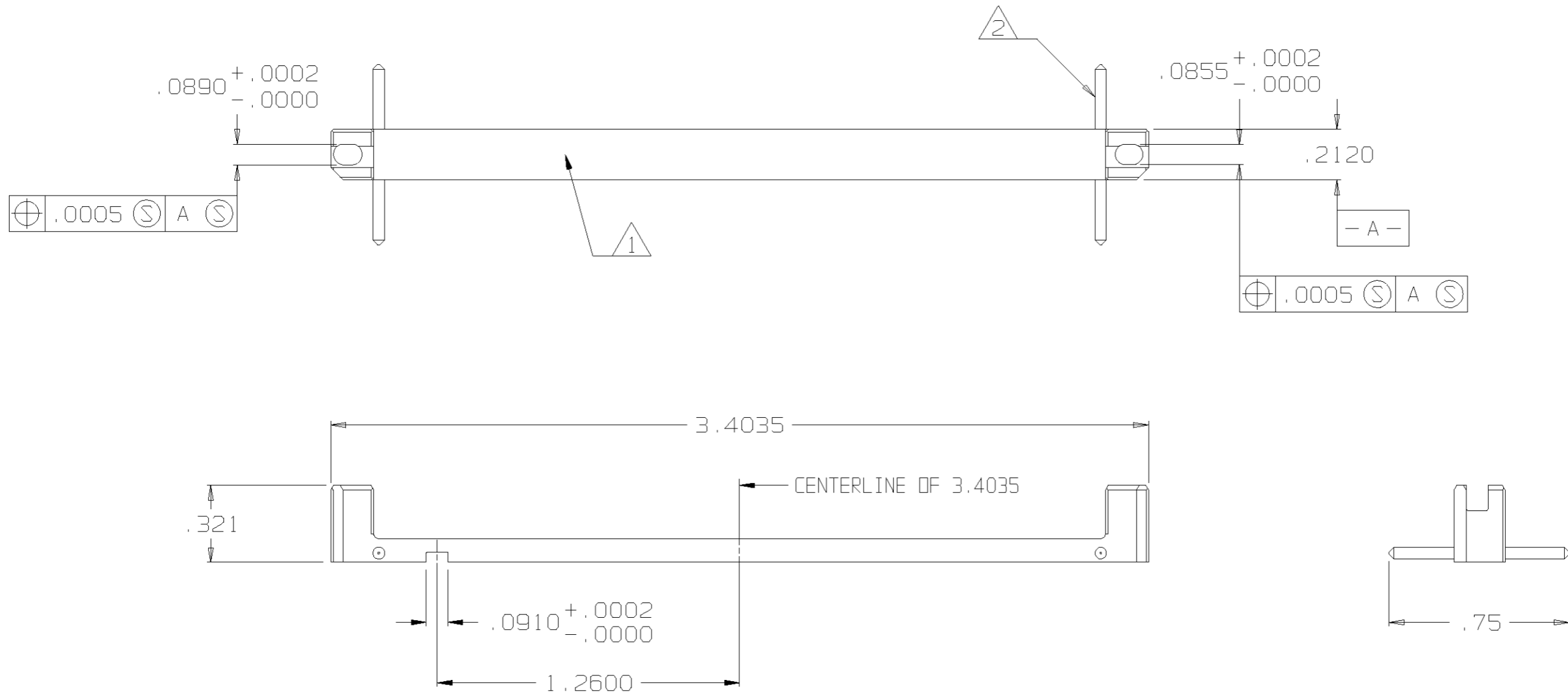
BY AMP INCORPORATED.

ALL RIGHTS RESERVED.

LOC AD DIST 47

REVISIONS

P	LTR	DESCRIPTION	DATE	DWN	APVD
0		RELEASED	5-24-99	JG	SS



1 PART NUMBER MARKED IN AREA INDICATED.
 2 END CAPS APPLIED TO PINS NOT SHOWN.

767681-1
 PART NUMBER

THIS DRAWING IS A CONTROLLED DOCUMENT.		DWN J. GERACE 5-24-99	AMP Incorporated Harrisburg, PA 17105-3608
DIMENSIONS: INCHES		CHK S. STRICKLER 5-24-99	
		APVD A. MONK 5-24-99	
TOLERANCES UNLESS OTHERWISE SPECIFIED:		PRODUCT SPEC -	NAME SECOND DATUM BLOCK, DUAL INSPECTION GAGE, 228 POS RECEPTACLE, MICTOR
0 PLC ± - 1 PLC ± - 2 PLC ± .01 3 PLC ± .005 4 PLC ± .0005 ANGLES ± -		APPLICATION SPEC -	SIZE A3
MATERIAL STAINLESS STEEL		WEIGHT -	CAGE CODE 00779
FINISH -		CUSTOMER DRAWING	DRAWING NO ©-767681
		SCALE 2:1	SHEET 1 OF 1
			REV 0

单击下面可查看定价，库存，交付和生命周期等信息

[>>TE Connectivity\(泰科\)](#)