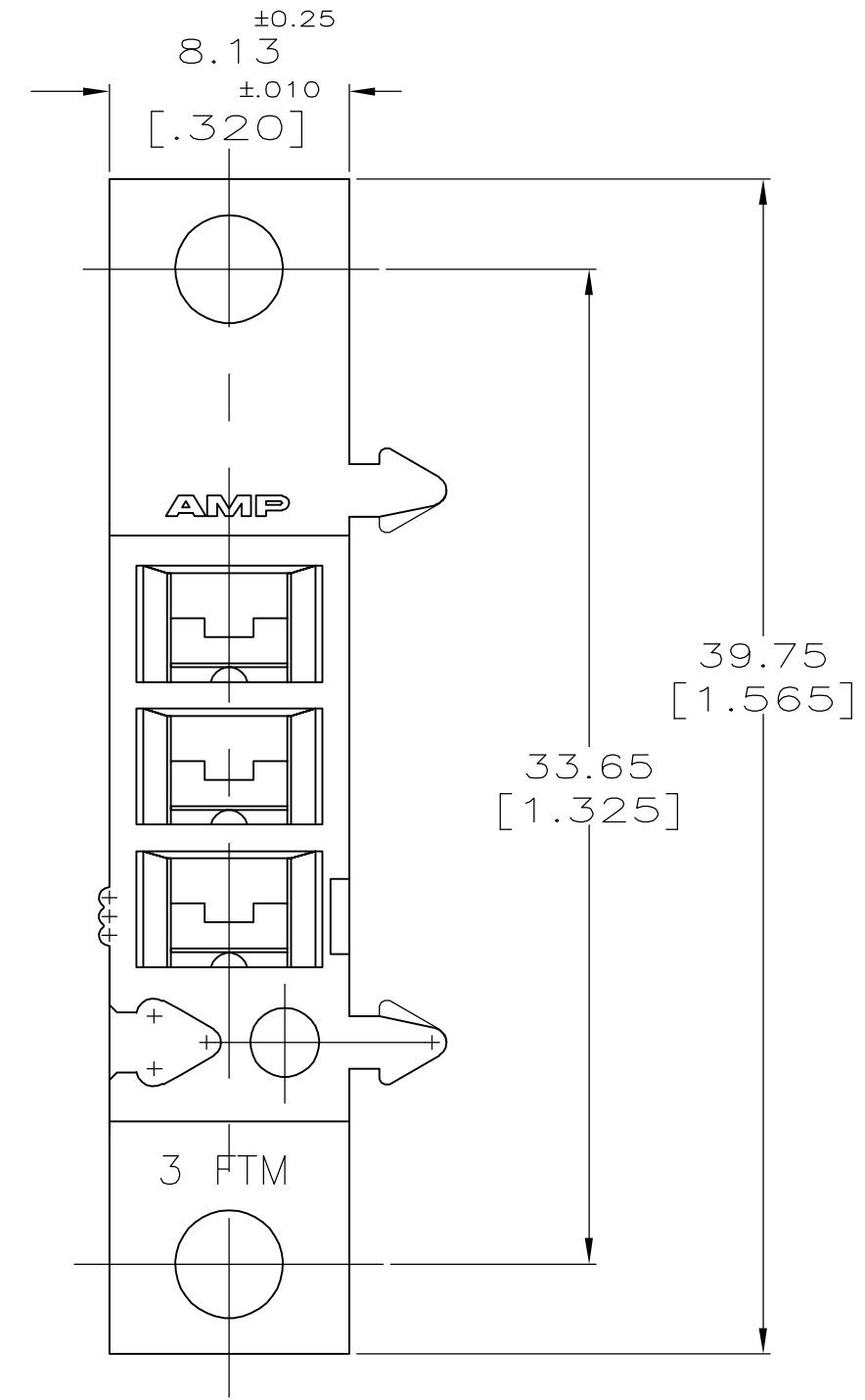
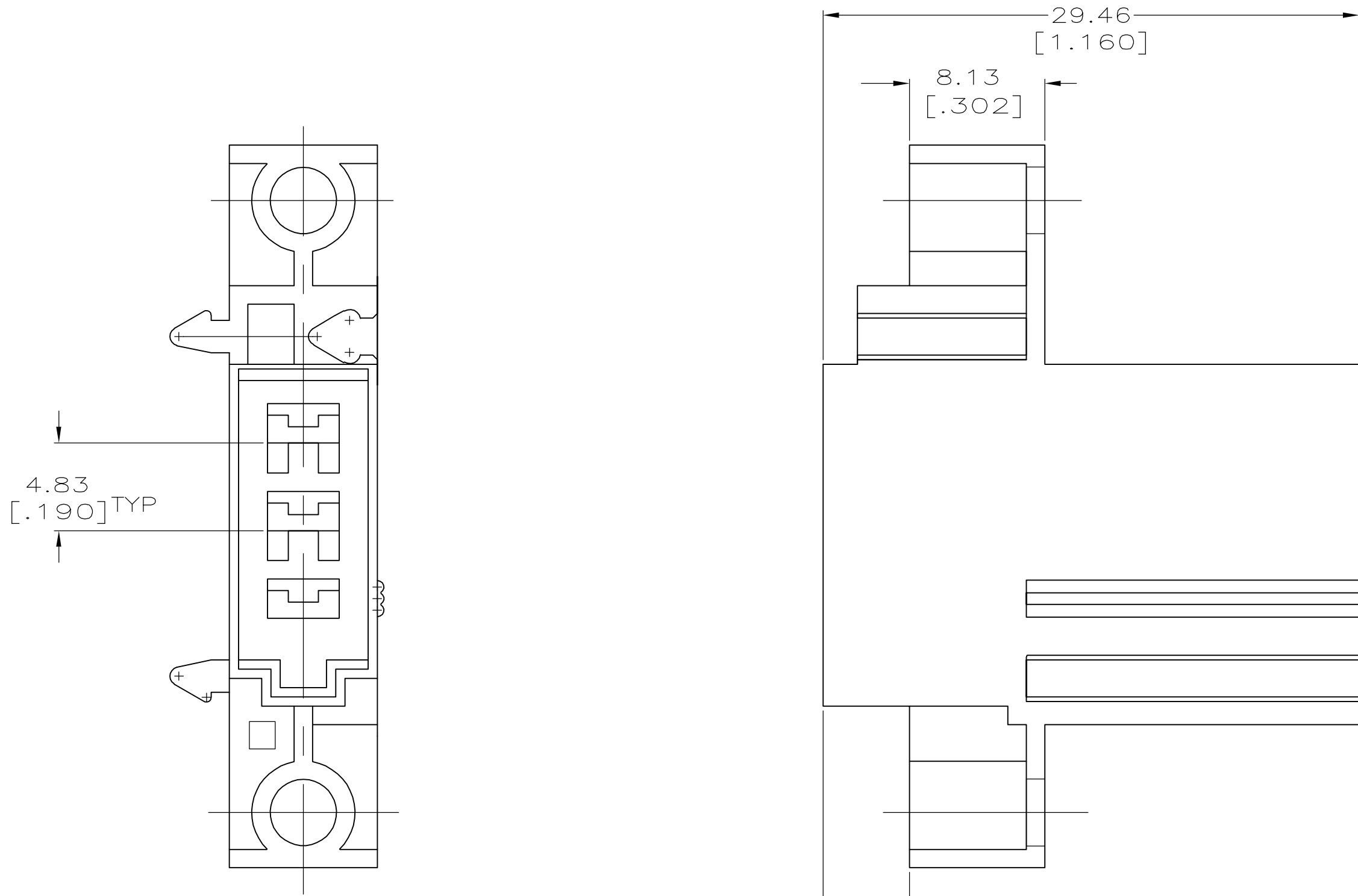
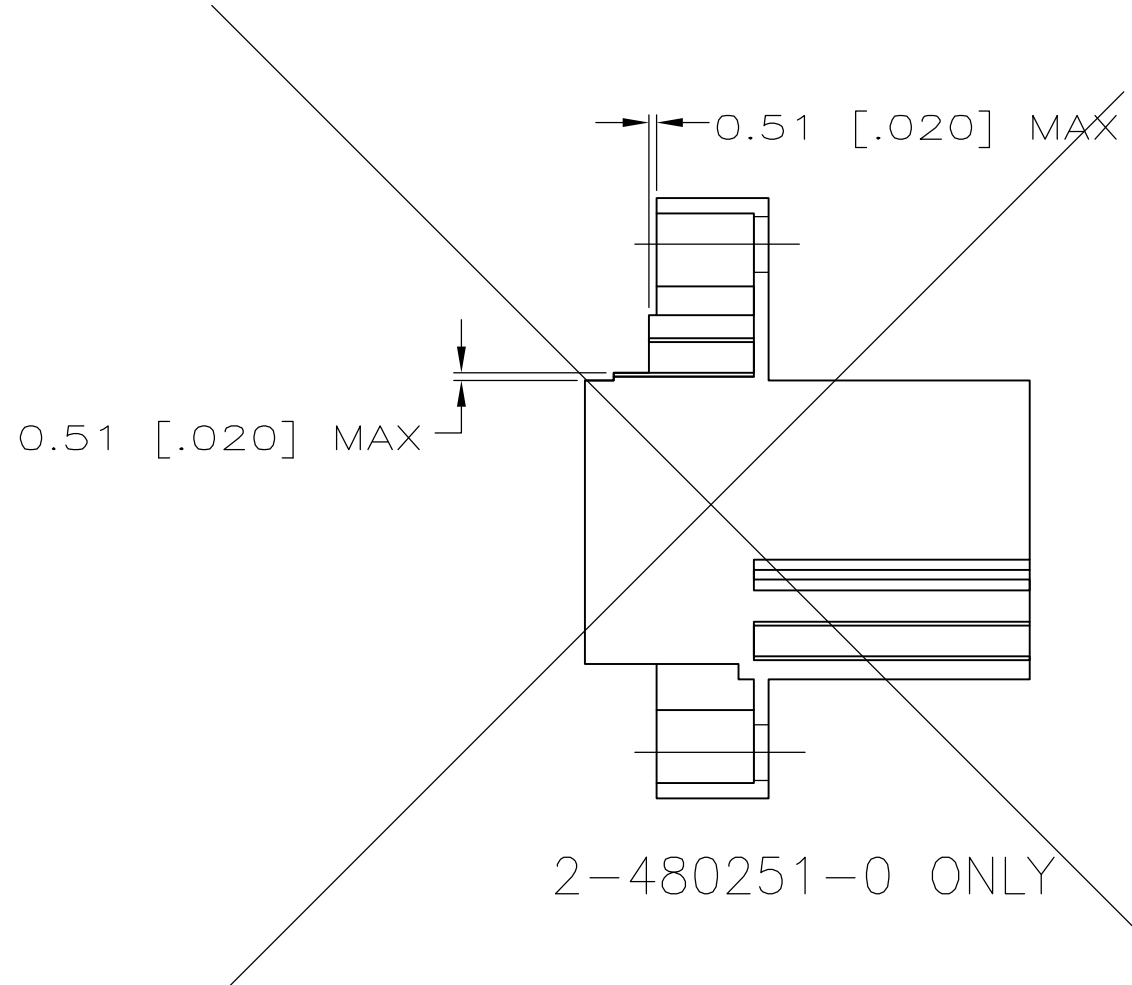


THIS DRAWING IS UNPUBLISHED. RELEASED FOR PUBLICATION
 © COPYRIGHT BY TYCO ELECTRONICS CORPORATION. ALL RIGHTS RESERVED.

LOC		DIST		REVISIONS			
P	LTR	DESCRIPTION		DATE	DWN	APVD	
AF	50	U1	REV PER ECR 05-004536	03OCT05	JR	KR	



- 1 USE TERMINAL 60434
- 2 FOR MOUNTING HOLE DIMENSIONS SEE CP-22678 AND CP-22893
- 3 FOR MOUNTING HOLE DIMENSIONS FOR 2-480251-0 SEE CP-24310



COLOR	PART NO.
NATURAL	2-480251-0
RED	1-480251-9
BLACK	1-480251-8
GRAY	1-480251-7
VIOLET	1-480251-6
BLUE	1-480251-5
GREEN	1-480251-4
YELLOW	1-480251-3
ORANGE	1-480251-2
BROWN	1-480251-1
NATURAL	1-480251-0

THIS DRAWING IS A CONTROLLED DOCUMENT.		DWN	JR RUTH	2/23/94	Tyco Electronics Corporation Harrisburg, PA 17105-3608
DIMENSIONS: INCHES		CHK	MS FEHER	2/23/94	
TOLERANCES UNLESS OTHERWISE SPECIFIED:		APVD	R BEAVER	2/23/94	
0 PLC ± - 1 PLC ± - 2 PLC ± 0.38 [.015] 3 PLC ± - 4 PLC ± - ANGLES ± - FINISH SEE TABLE		NAME		HOUSING, TAB, FASTON, 4.75 [.187] SERIES	
MATERIAL	NYLON	WEIGHT	-	SIZE	A2
CUSTOMER DRAWING		CAGE CODE	00779	DRAWING NO	C=480251
SCALE		4:1	SHEET	1 of 1	REV
					U1

单击下面可查看定价，库存，交付和生命周期等信息

[>>TE Connectivity\(泰科\)](#)