

This drawing involves proprietary design rights of Tyco Electronics Corporation, and all design, manufacture, reproduction, use and sale rights regarding the same are expressly reserved. It is submitted for a specific purpose and the recipient by accepting this drawing, assumes custody and control and agrees to take reasonable precautions; (a) that this drawing will not be copied and reproduced, in whole or in part, or its contents revealed in any manner, or to any person except to meet the purpose for which it was delivered and (b) that any special features peculiar to this design will not be incorporated in other projects without the expressed written permission of Tyco Electronics Corporation.

REVISIONS			
EC	REV	DESCRIPTION	DATE
CPR	A	NEW RELEASE	1/31/06

7. MODULE INFORMATION

CONNECTOR	TYCO PART NUMBER	CATALOG MODULE #	QTY	SIZE NO.	CONTACT QTY	MATING PIN	MAX. CURRENT (PER CONTACT)	CONTACT SPACING	VOLTAGE RATING*	
SOCKET	6646813-1	FP732	1	8	8	1.25 X 7.00 [.049 X .276]	35 AMPERES	7.50 [.2953]	250 VOLTS	
				22	24	.64 [.025] SQ.	3 AMPERES	2.50 [.0984]	125 VOLTS	
				LEFT MOUNTING FLANGE						
				RIGHT MOUNTING FLANGE						

\*IAW IEC-950

NOTES: UNLESS OTHERWISE SPECIFIED.

1. PART NUMBER CHANGES AND OR DESIGN CHANGES AFFECTING ITEM INTERCHANGEABILITY REQUIRE PRIOR ELCON APPROVAL AND AUTHORIZATION BY REVISION TO THIS DRAWING.

2. MATERIALS:

INSULATORS: THERMOPLASTIC, GLASS REINFORCED, COLOR BLACK. UL94V-0 FLAMMABILITY RATED.

SOLDER SIGNAL PIN: BRASS ALLOY.

POWER CONTACTS: PHOSPHOR BRONZE ALLOY, COPPER ALLOY.

CROWN BANDS: COPPER ALLOY.

3. FINISHES:

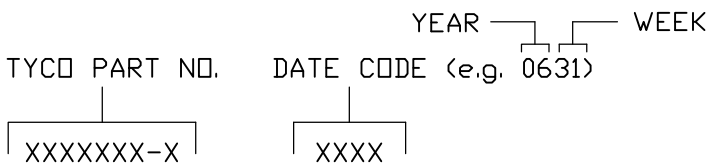
CONTACTS: GOLD PLATE .000030" MIN. THK, OVER NICKEL .000040" MIN. THICKNESS.

TERMINALS: TIN PLATE, MATTE FINISH .000040" MIN. THICKNESS.

4. ALL POWER MODULES ARE NON HOT PLUG.

5. MOUNTING FLANGES ACCEPT M3 OR #4-40 SCREWS, (USER SUPPLIED).

6. ITEMS PROVIDED TO THIS SPECIFICATION TO BE PERMANENTLY IDENTIFIED PER THE FOLLOWING IDENTIFIER:



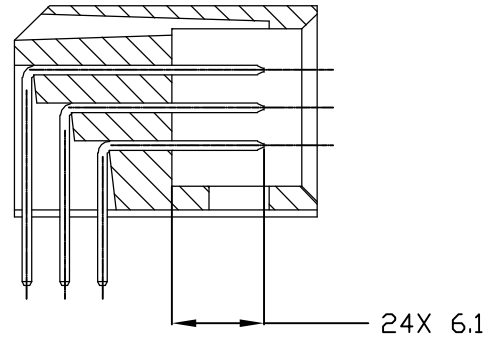
TYCO PART NUMBER

6646813-1

 THIRD ANGLE PROJECTION UNLESS OTHERWISE SPECIFIED DIMENSIONS ARE IN METRIC [INCHES] TOLERANCES ANGLES ± .5° DECIMALS .XX ± .25 [.010] .X ± .5 [.020]	DRAWN R. F. A.	DATE 1/31/06	 Tyco Electronics Corporation Menlo Park, Ca 94025 	TITLE SOCKET CONNECTOR, FLATPAQ RIGHT ANGLE, SOLDER TAILS	
	CHECKED				
	APPROVED		SIZE B		DWG NUMBER C = 6646813
	APPROVED D. CHAU	1/31/06	REV. A		
ACAD FILE NUMBER		C6646813A.DWG	DWG SCALE	1=1	
				SH 1 OF 3	

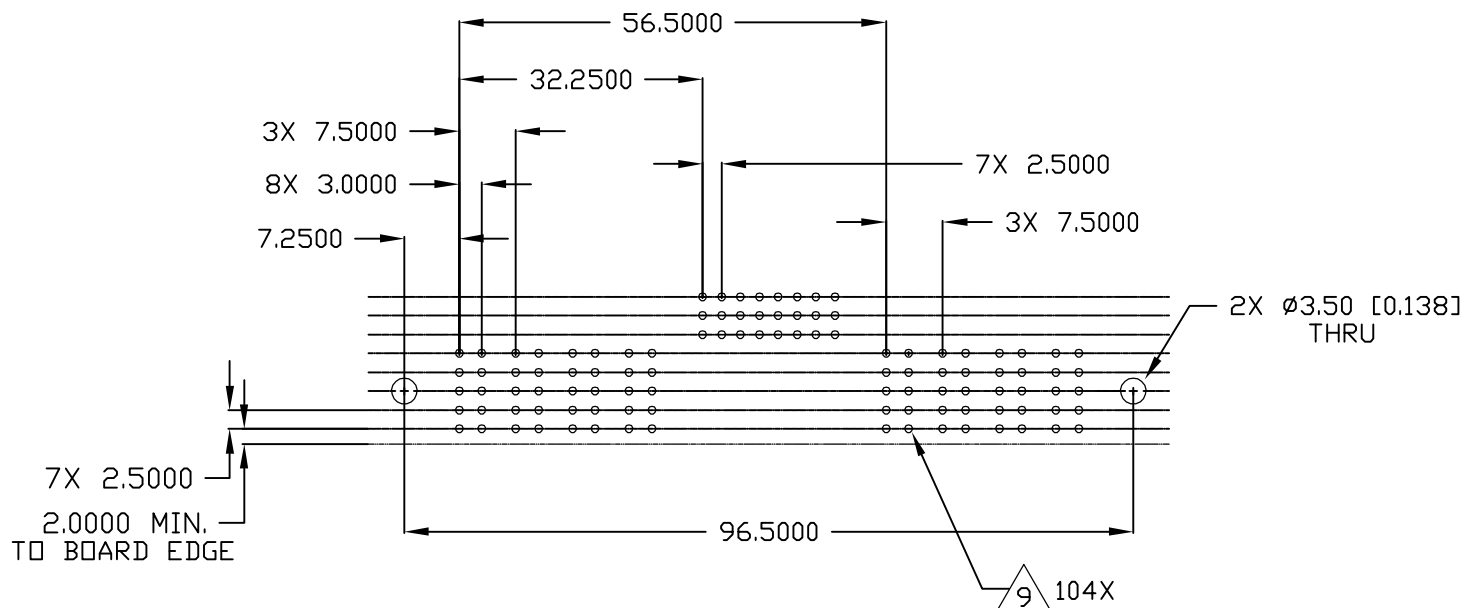
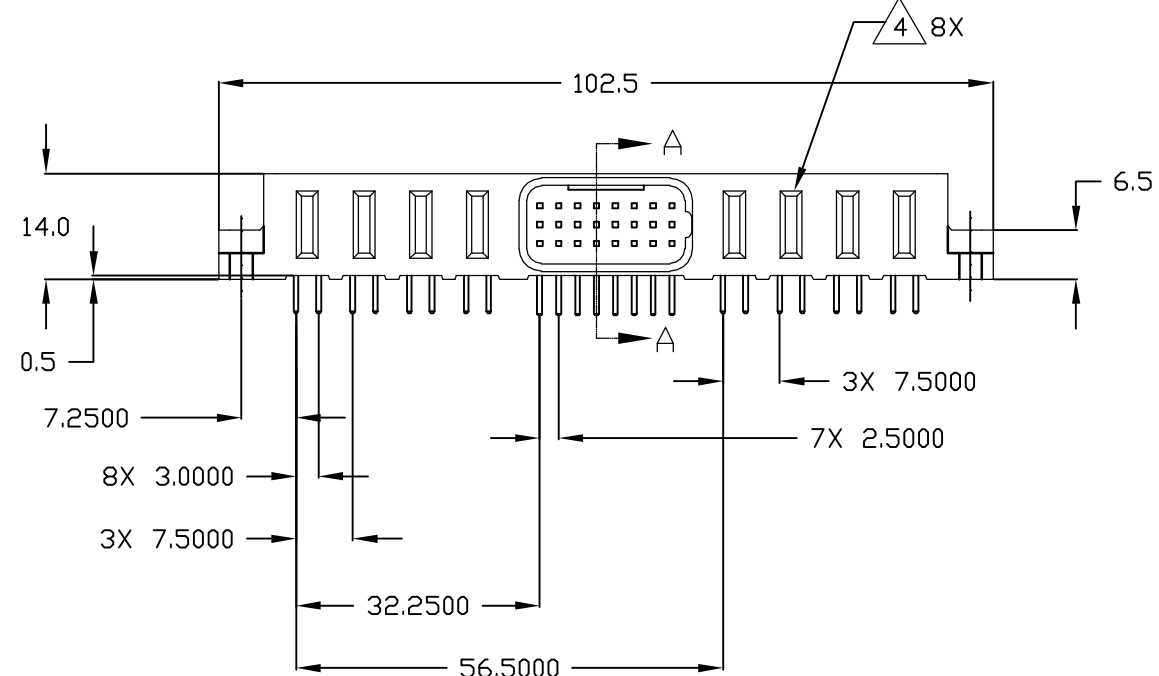
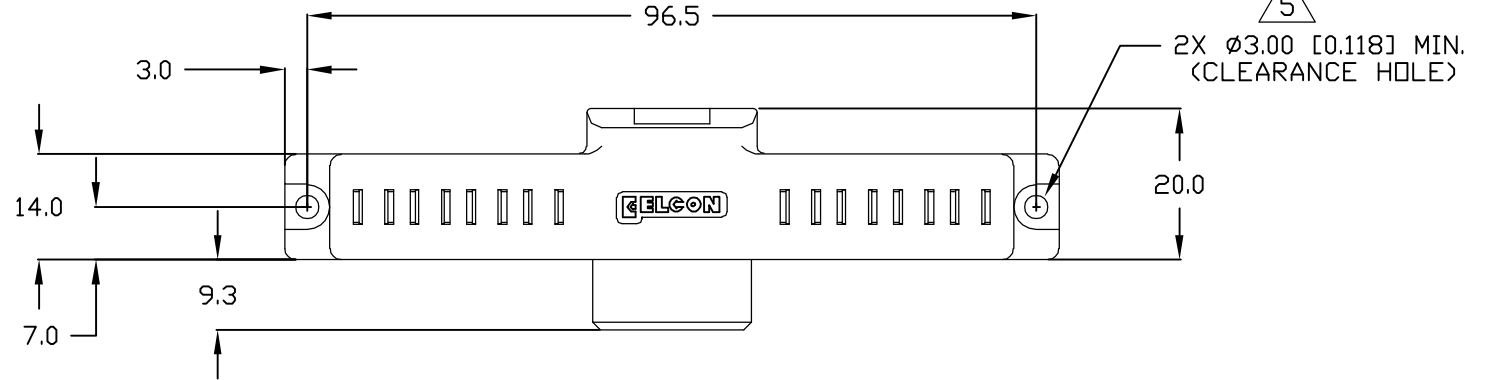
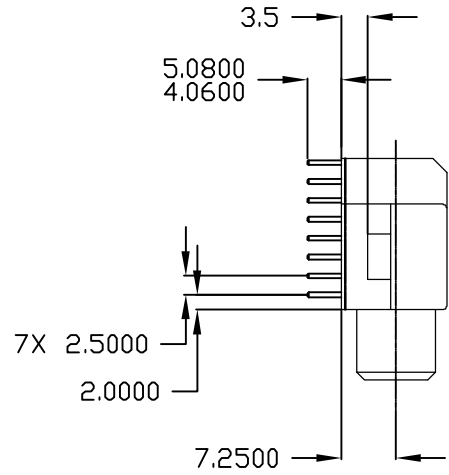
This drawing involves proprietary design rights of Tyco Electronics Corporation, and all design, manufacture, reproduction, use and sale rights regarding the same are expressly reserved. It is submitted for a specific purpose and the recipient by accepting this drawing, assumes custody and control and agrees to take reasonable precautions; (a) that this drawing will not be copied and reproduced, in whole or in part, or its contents revealed in any manner, or to any person except to meet the purpose for which it was delivered and (b) that any special features peculiar to this design will not be incorporated in other projects without the expressed written permission of Tyco Electronics Corporation.

B



SECTION A-A

GENDER CHANGER NOT SHOWN FOR CLARITY



PRINTED CIRCUIT LAYOUT

REVISIONS

EC	REV	DESCRIPTION	DATE
		SEE SHEET 1	

A

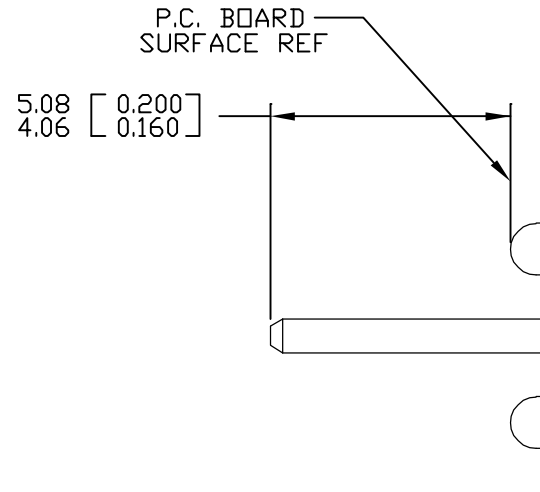
A

MM OR MM [INCH]  THIRD ANGLE PROJECTION UNLESS OTHERWISE SPECIFIED DIMENSIONS ARE IN METRIC [INCHES] TOLERANCES ANGLES ± .5° DECIMALS .XX ± .25 [0.010] .X ± .5 [0.020]	DRAWN R. F. A. CHECKED APPROVED APPROVED D. CHAU DCA APPROVED ACAD FILE NUMBER	DATE 1/31/06 1/31/06	 Tyco Electronics Corporation Menlo Park, Ca 94025 <b>ELCON</b>
	TITLE SOCKET CONNECTOR, FLATPAQ RIGHT ANGLE, SOLDER TAILS		SIZE B
DWG NUMBER C = 6646813		REV. A	DWG SCALE 1=1 SH 2 OF 3

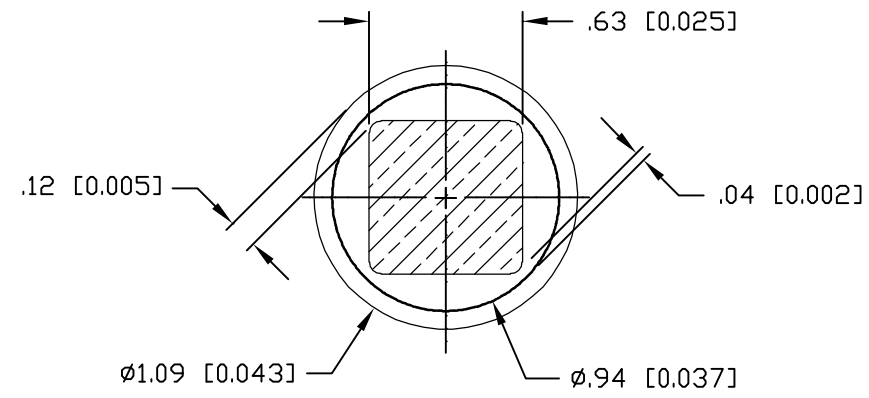
This drawing involves proprietary design rights of Tyco Electronics Corporation, and all design, manufacture, reproduction, use and sale rights regarding the same are expressly reserved. It is submitted for a specific purpose and the recipient by accepting this drawing, assumes custody and control and agrees to take reasonable precautions; (a) that this drawing will not be copied and reproduced, in whole or in part, or its contents revealed in any manner, or to any person except to meet the purpose for which it was delivered and (b) that any special features peculiar to this design will not be incorporated in other projects without the expressed written permission of Tyco Electronics Corporation.

REVISIONS

EC	REV	DESCRIPTION	DATE
		SEE SHEET 1	



8. SOLDER PIN DETAIL



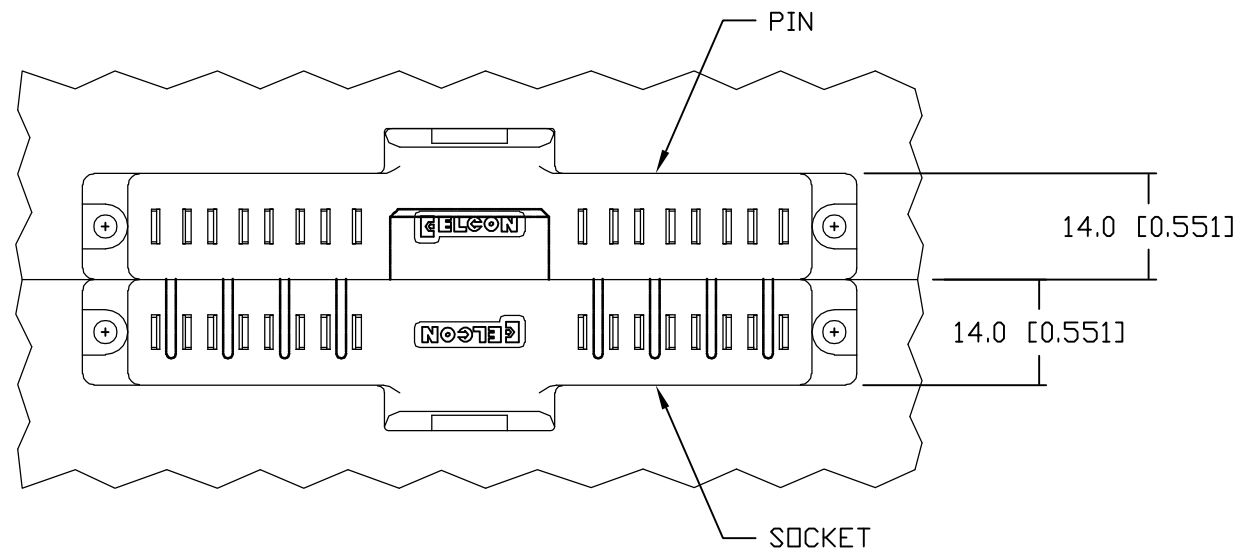
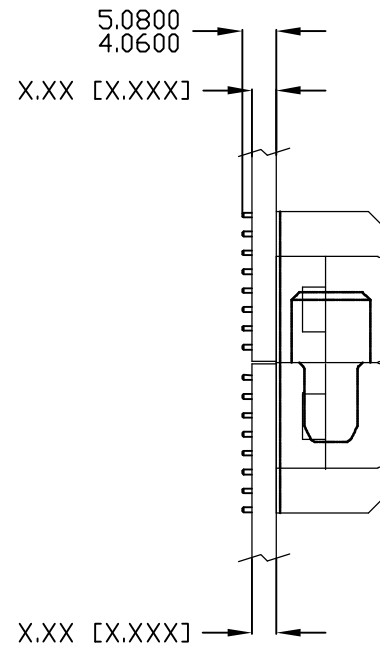
9 SOLDER TERMINATION AREA

RECOMMENDED PRINTED CIRCUIT HOLE

DRILLED HOLE:  $\phi 1.15 [0.0453] \pm .013 [0.0005]$

COPPER PLATE: .025-.050 [0.001-.002] MINIMUM (PER SURFACE)

TIN PLATE: .0005 [0.00002] MINIMUM (PER SURFACE)



MATED CONDITION

← MM INCH → OR MM [INCH]  THIRD ANGLE PROJECTION UNLESS OTHERWISE SPECIFIED DIMENSIONS ARE IN METRIC [INCHES] TOLERANCES ANGLES ± .5° DECIMALS .XX ± .25 [0.010] .X ± .5 [0.020]	DRAWN R. F. A. CHECKED APPROVED APPROVED D. CHAU DCA APPROVED ACAD FILE NUMBER	DATE 1/31/06    1/31/06	<b>tyco</b> Tyco Electronics Corporation <b>Electronics</b> Menlo Park, Ca 94025 	TITLE USER INFORMATION SOLDER TAIL TERMINATION AND MATED CONDITION	SIZE B	DWG NUMBER C = 6646813	REV. A
	C6646813.DWG		DWG SCALE 1=1	SH 3 OF 3			

单击下面可查看定价，库存，交付和生命周期等信息

[>>TE Connectivity\(泰科\)](#)