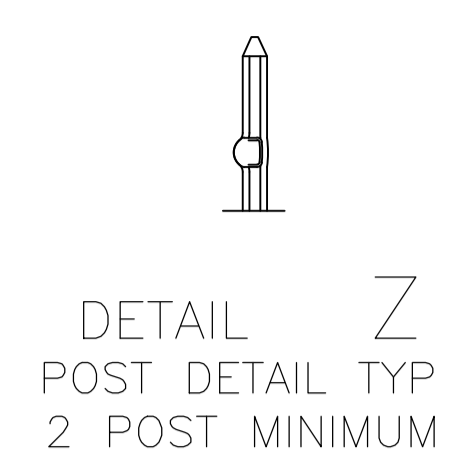
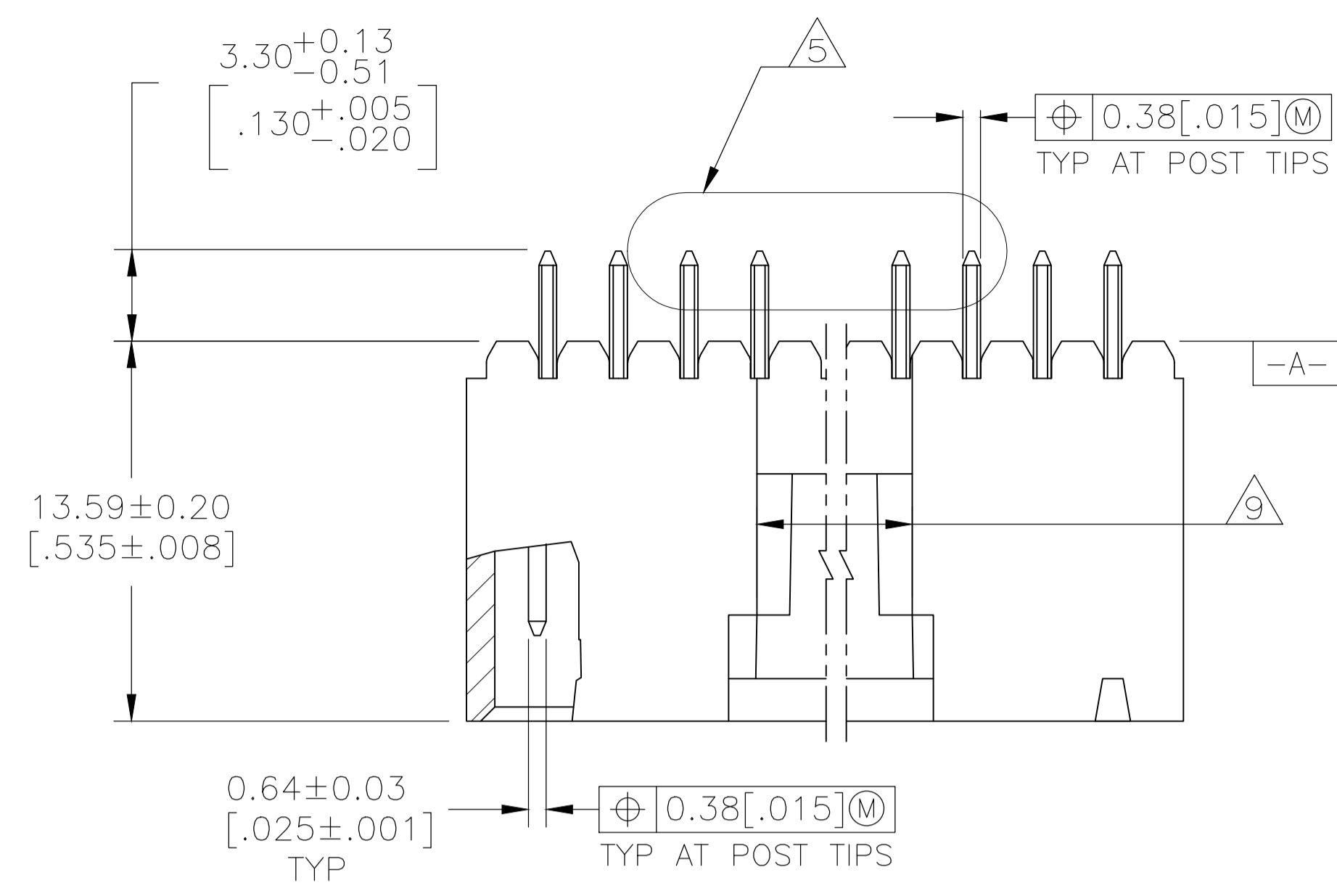
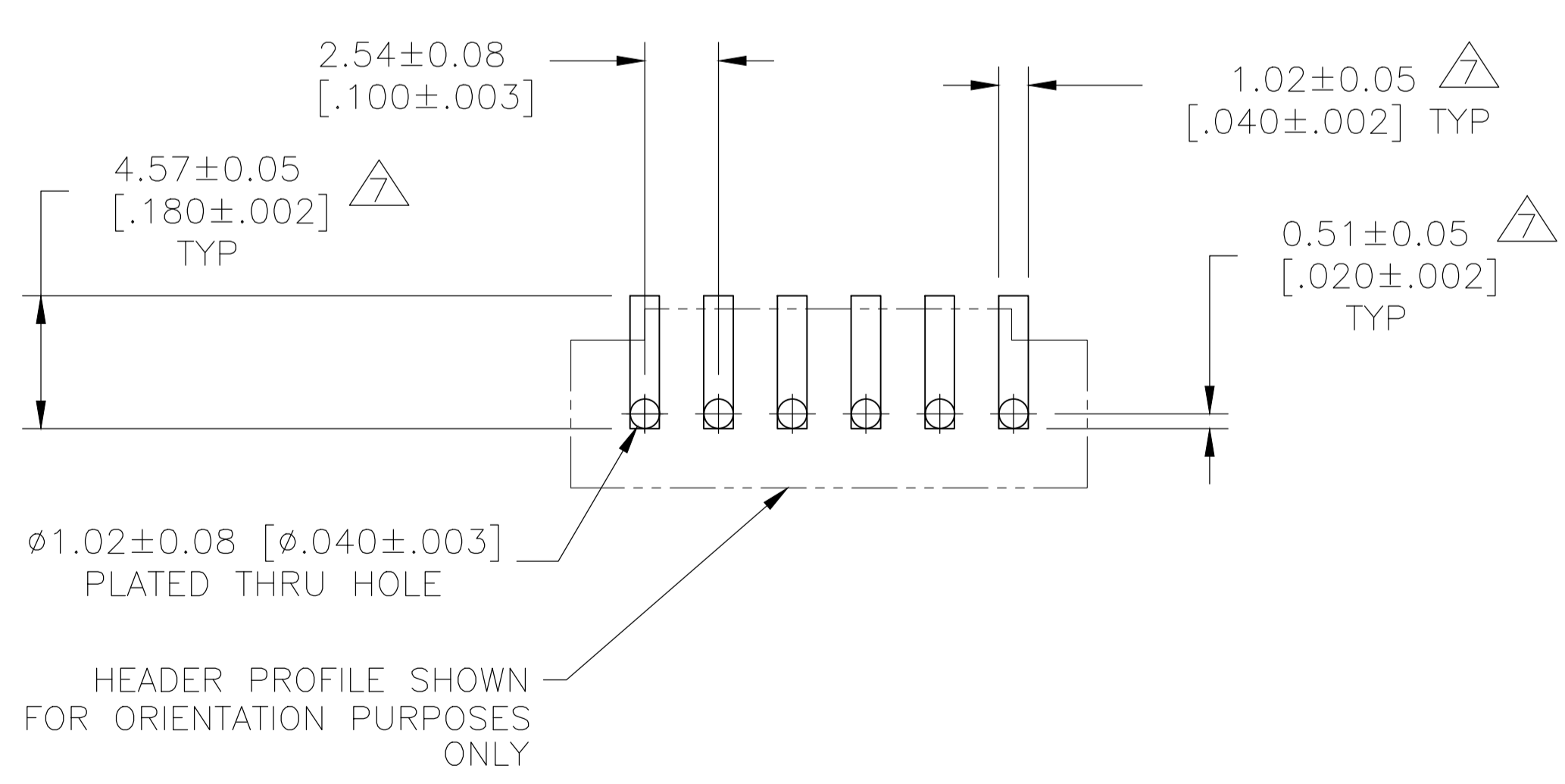
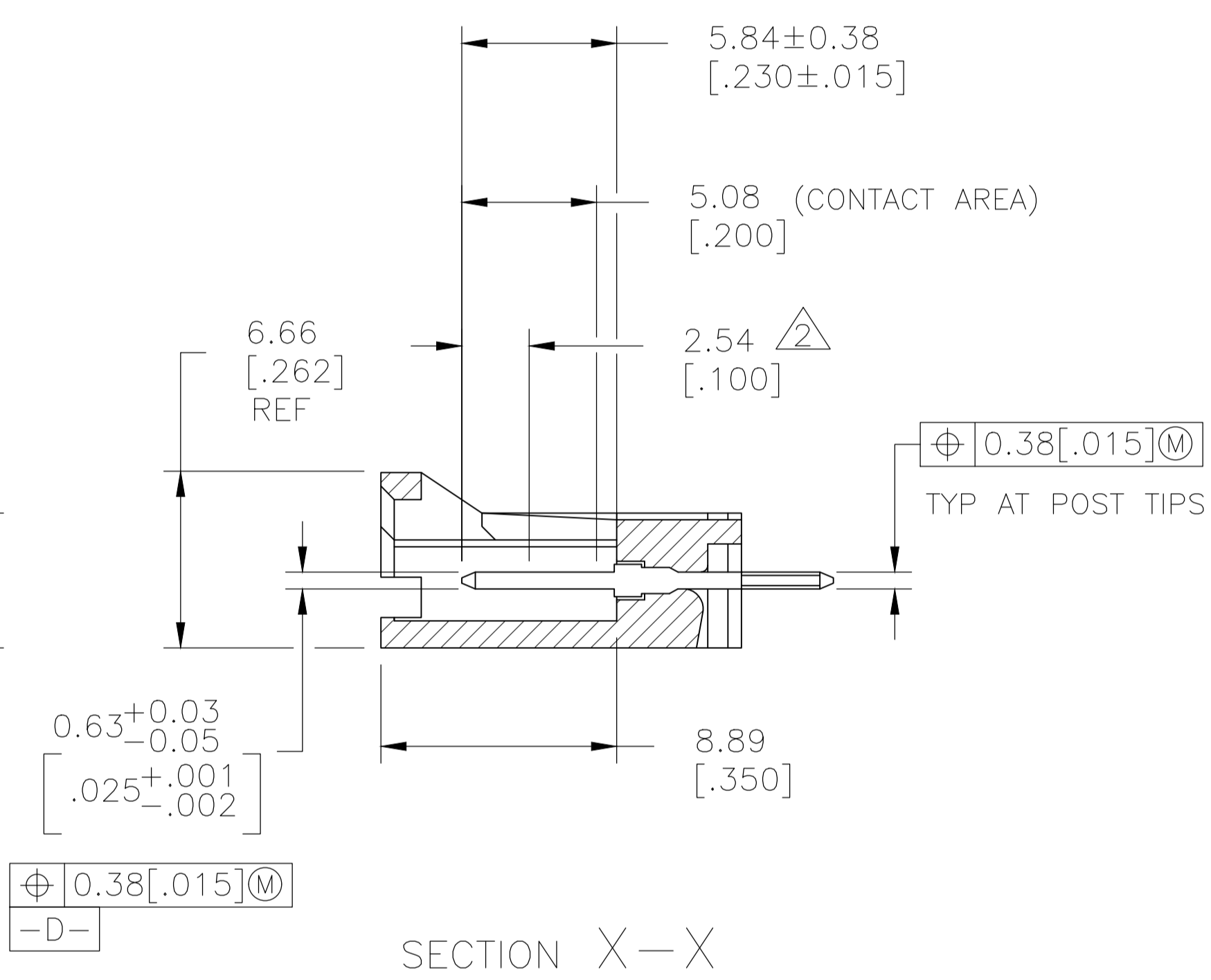
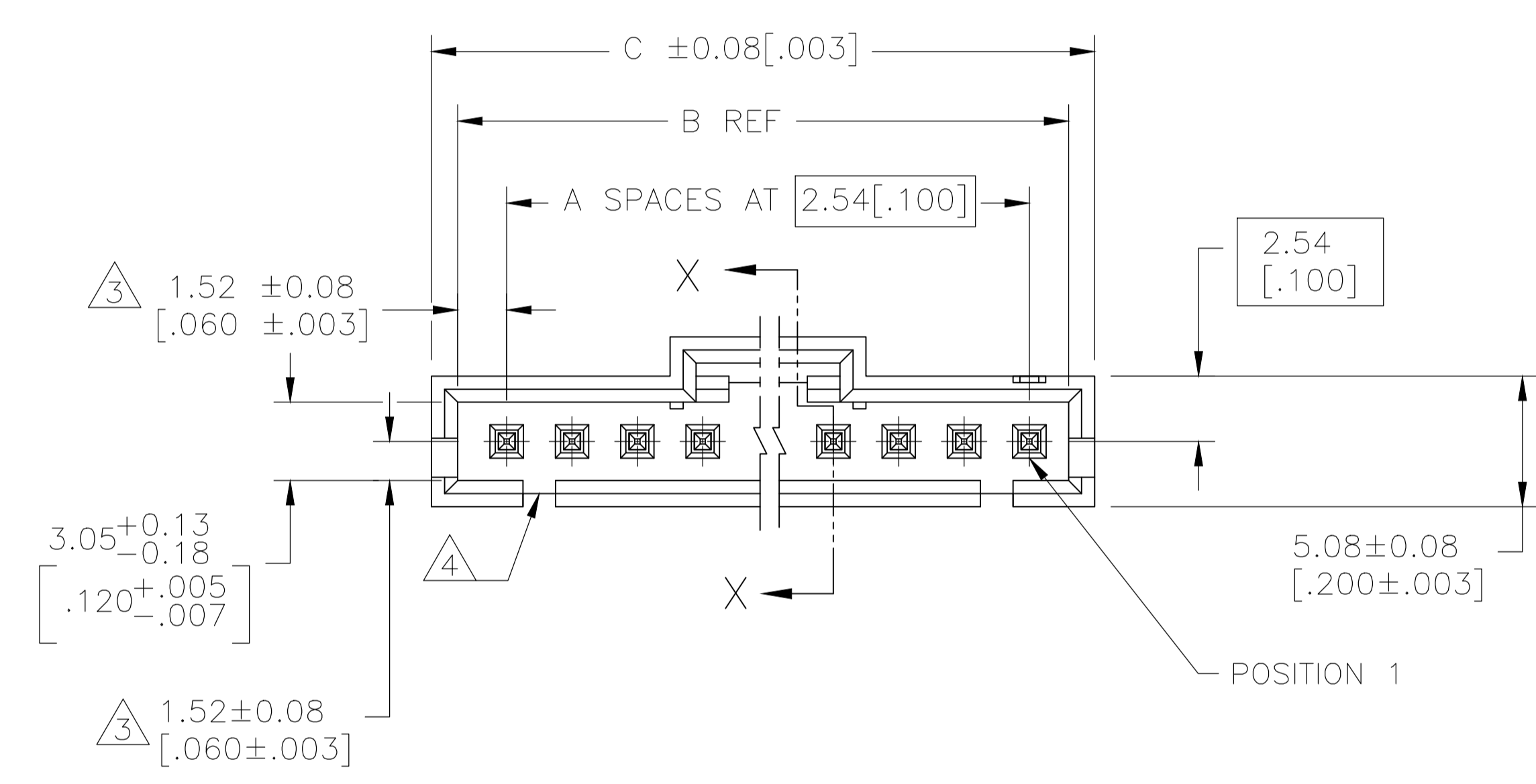


REVISIONS					
P	LTR	DESCRIPTION	DATE	DMN	APVD
D		REVISED PER ECO-20-001912	03JUN2020	SB	JO



- △ FINISH: .00038[.000015] GOLD IN THE CONTACT AREA, .00254[.000100] MATTE TIN-LEAD ON REMAINDER OF CONTACT, ALL OVER .00127[.000050] NICKEL.
- △ POINT OF MEASUREMENT FOR PLATING THICKNESS.
- △ THE NOTED DIMENSIONS APPLY FROM THE BASIC DIMENSION CENTER LINE (NOT THE POST CENTER LINE) TO THE SURFACE INDICATED.
- △ ONE POLARIZATION SLOT FOR 2 POSITION ASSEMBLY ONLY.
- △ SELECT POST TAILS FORMED TO PROVIDE CONNECTOR HOLD DOWN UNTIL SOLDERED, CONFIGURATION ACCEPTS 0.69[.027]-2.03[.080] THICK PRINTED CIRCUIT BOARD. (SEE DETAIL Z).
- 6. PARTS ARE PACKAGED IN GANG OF TUBES.
- △ DIMENSIONS NOTED ARE FOR SOLDER STENCIL LAYOUT FOR USE WITH 1.58±0.20[.062±.008] THICK PRINTED CIRCUIT BOARDS.
- △ MATERIAL- HOUSING: LCP, COLOR-BLACK. POSTS: BRASS.
- △ 0.25 [.010] RECESS PERMISSIBLE IN THIS AREA FOR MOLD SHUT OFF



RECOMMENDED PC BOARD MOUNTING DIMENSIONS
 RECOMMENDED STENCIL THICKNESS = 0.25[.010]

2	30.35 [1.195]	28.45 [1.120]	10	11	147779-1
POST NUMBER OMITTED	C	B	A	NO. OF POSN	PART NO.

THIS DRAWING IS A CONTROLLED DOCUMENT.		DIN R BROWN 01MAR02	TE Connectivity		
DIMENSIONS: mm [INCHES]		CHK J GEFSEFORD 01MAR02			
TOLERANCES UNLESS OTHERWISE SPECIFIED:		APVD J GEFSEFORD 01MAR02	NAME PLZD HDR ASSY, AMPMODU MTE, VERTICAL SINGLE ROW, 2.54[.100] CL, 0.64[.025] SQ POSTS, WITH LATCHING & HOLD DOWN, SELECT LOAD		
0 PLC ± -	1 PLC ± -	PRODUCT SPEC	APPLICATION SPEC		
2 PLC ± 0.13[.005]	3 PLC ± -	SIZE A1	CAGE CODE C=147779	DRAWING NO. 147779	
4 PLC ± -	ANGLES ± -	WEIGHT -	CUSTOMER DRAWING	SCALE 4:1	SHEET 1 OF 1 REV D

单击下面可查看定价，库存，交付和生命周期等信息

[>>TE Connectivity\(泰科\)](#)