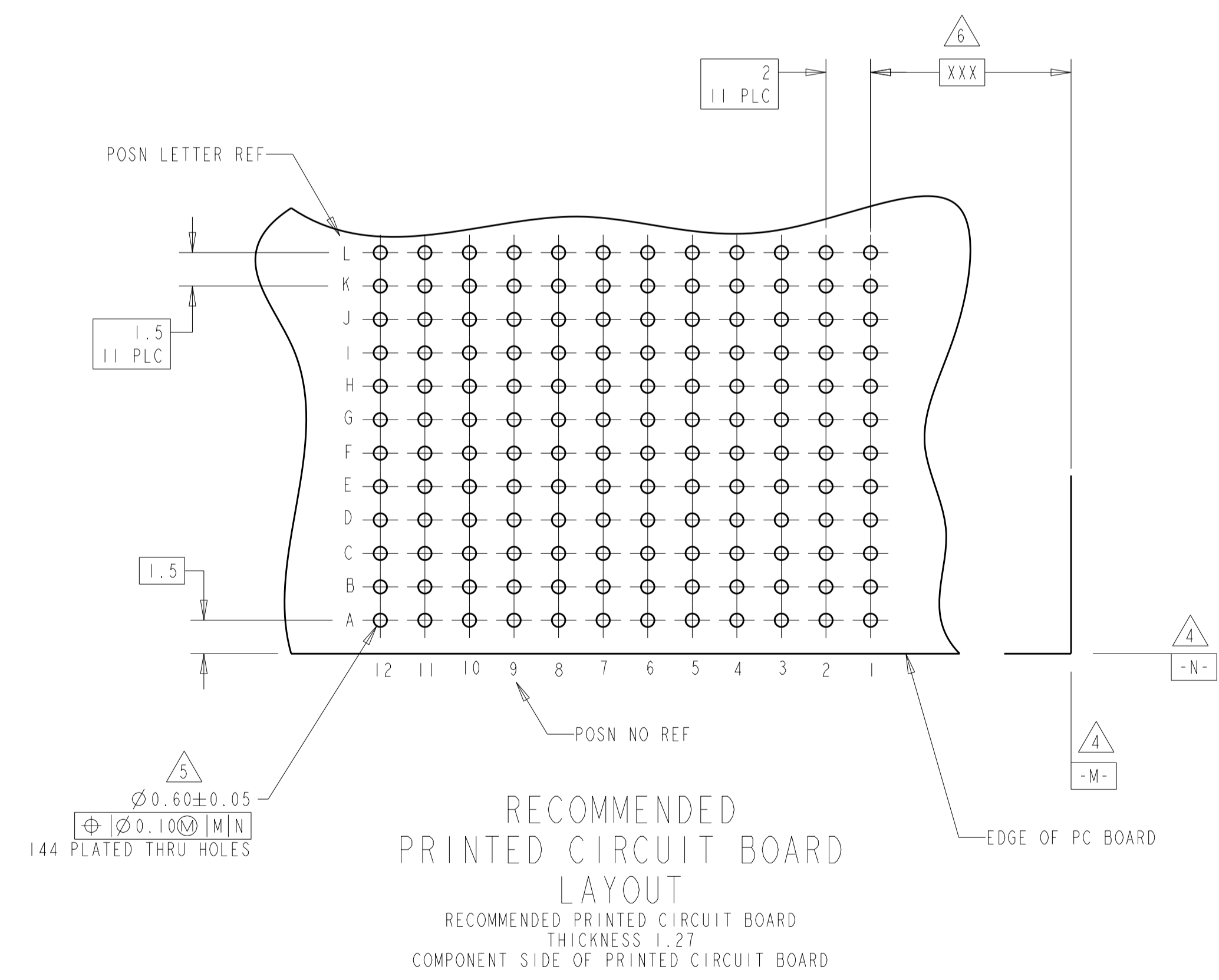
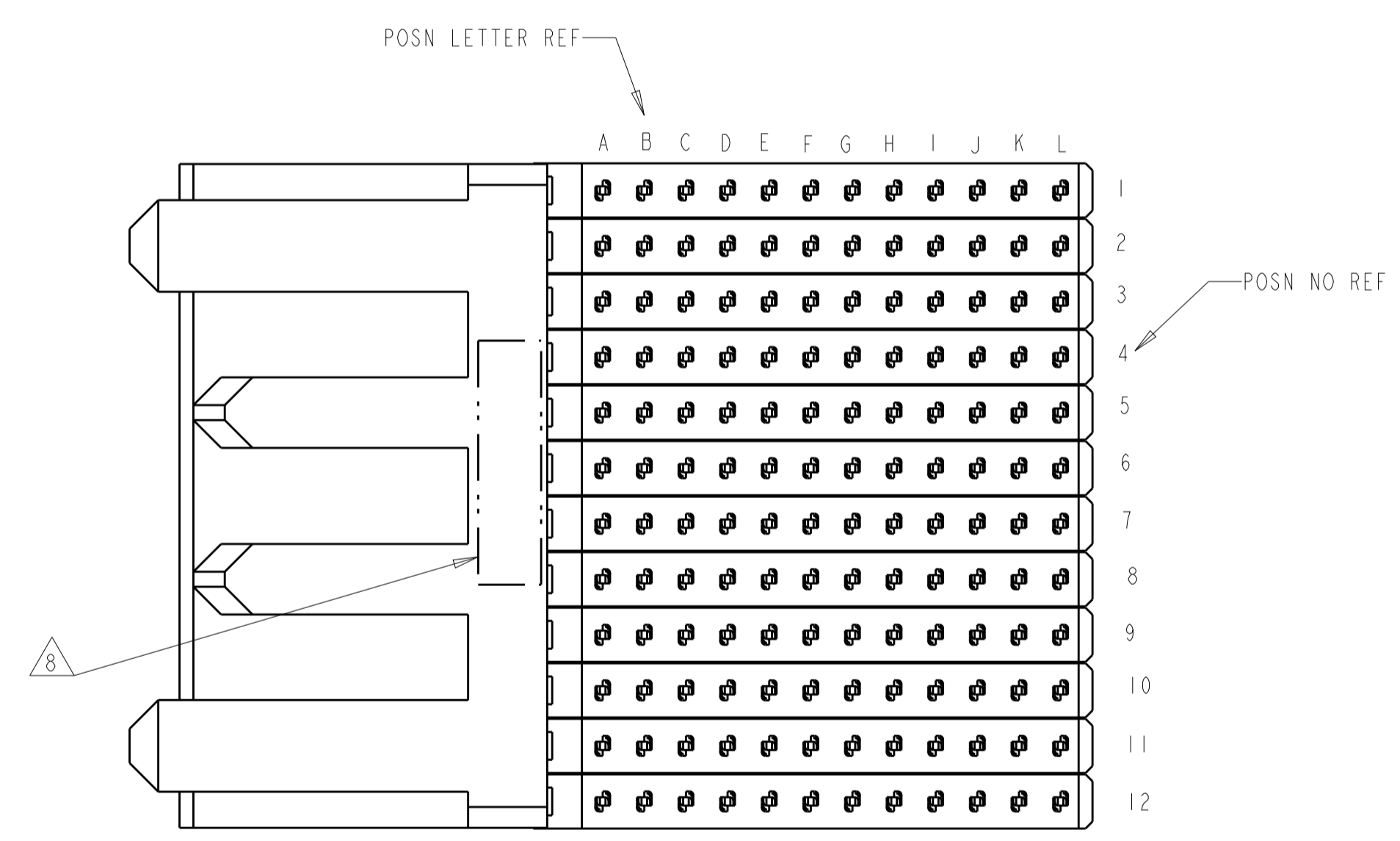
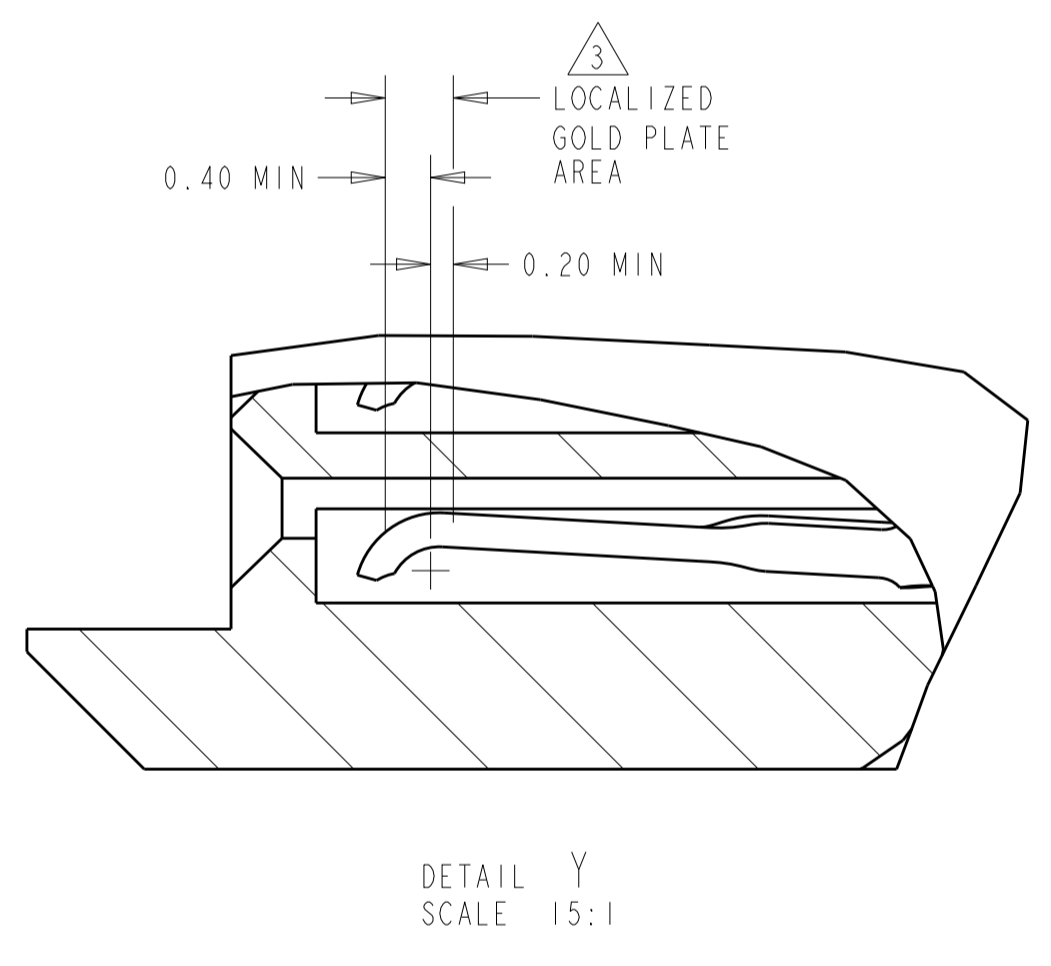
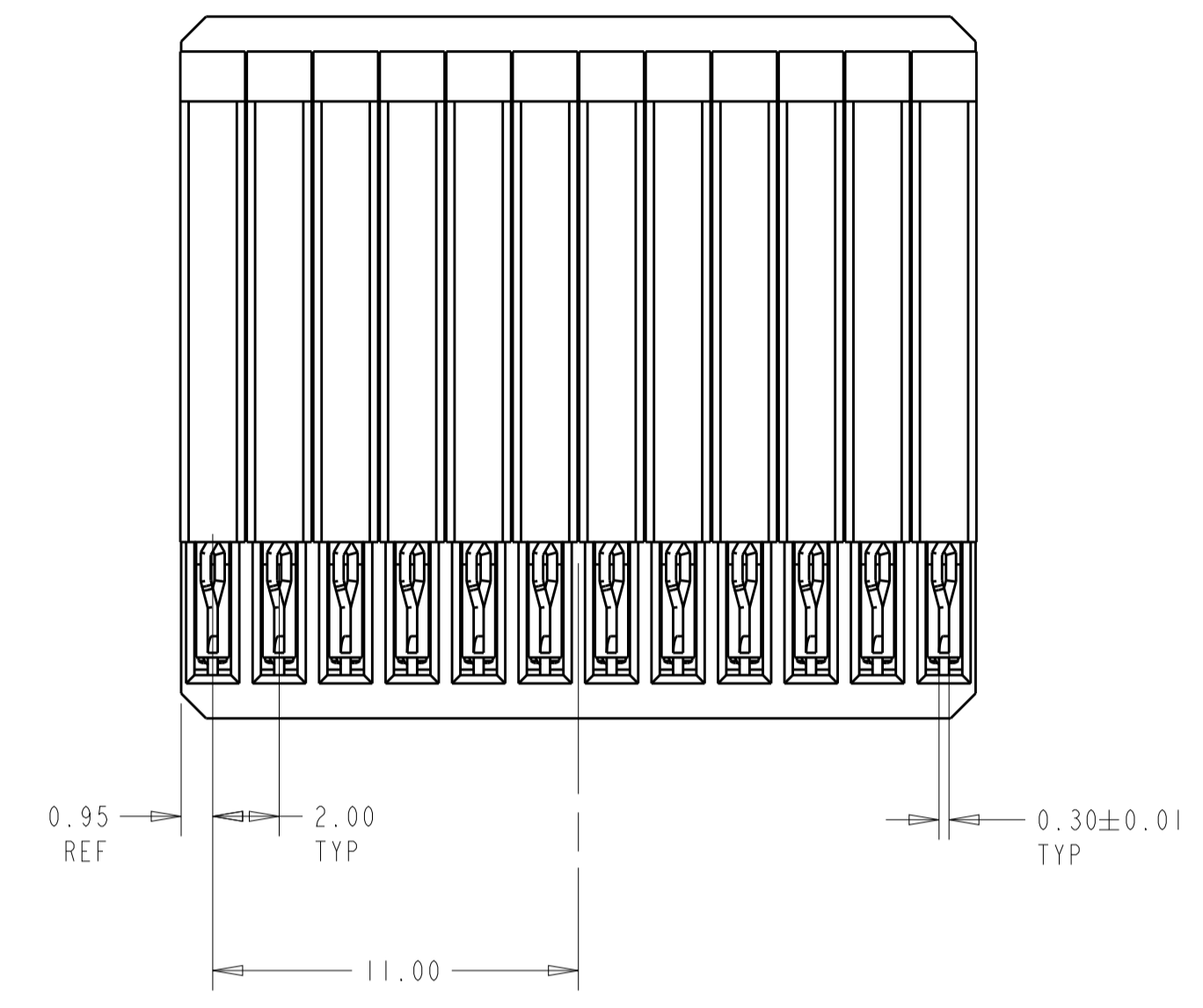
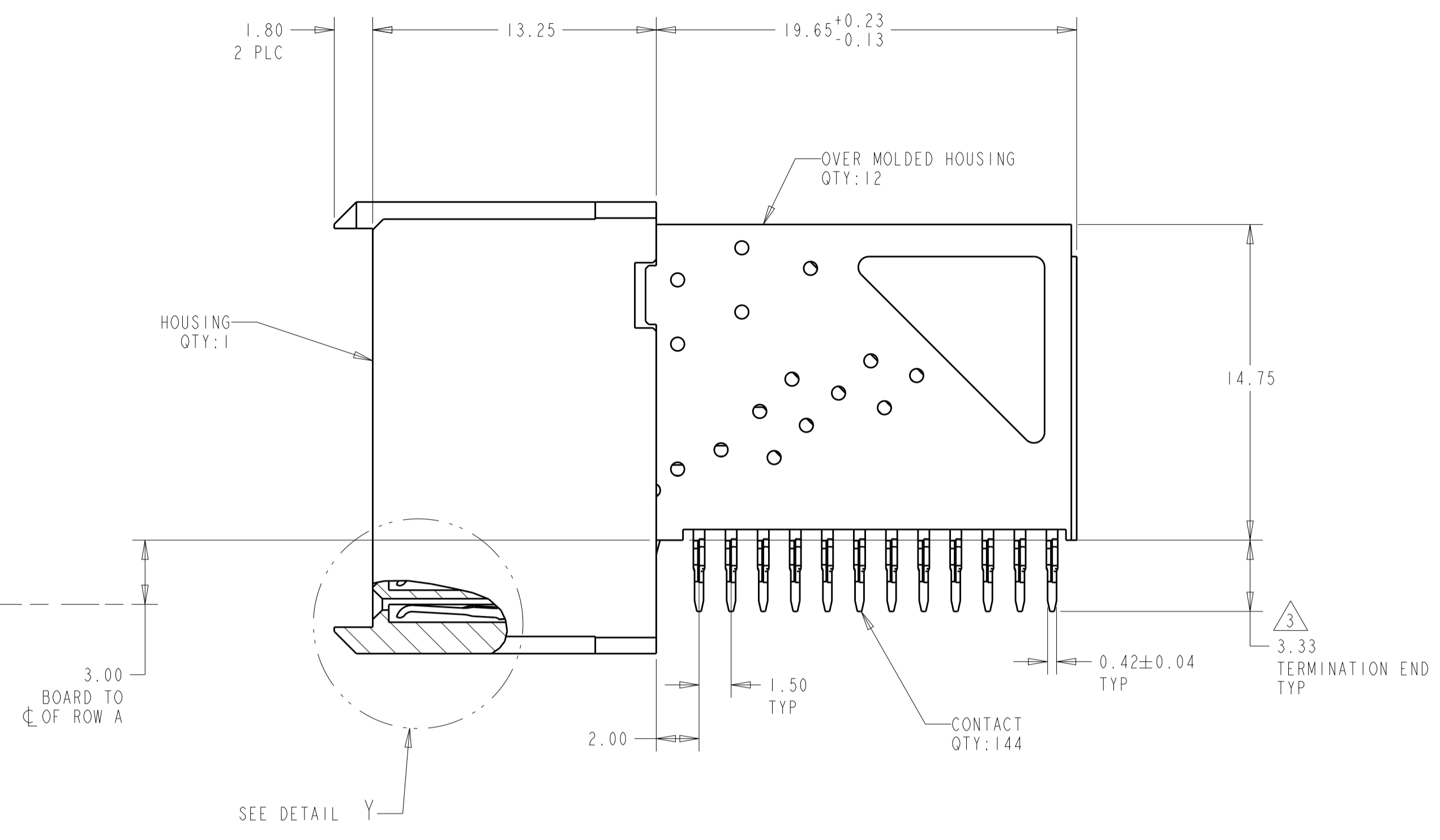
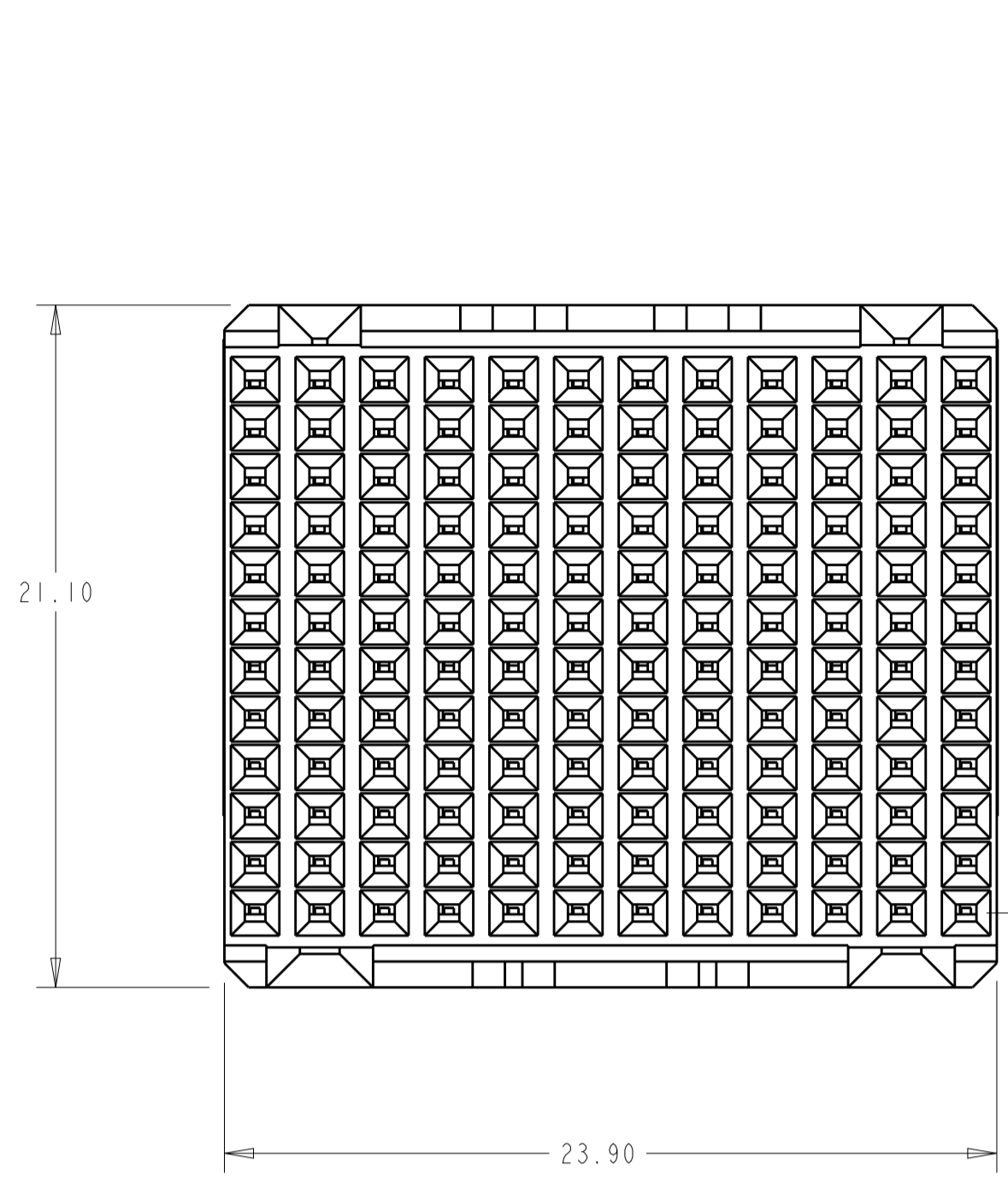


REVISIONS				
P.	LTM	DESCRIPTION	DATE	APPROV
B		REV PER ECO-13-017819	04JUL2014	SY FY



- 1 GLASS FILLED POLYESTER, BLACK
- 2 PHOSPHOR BRONZE
- 3 CONFORMS TO ALL TESTING ACCORDING TO IEC 61076-4-101 PERFORMANCE LEVEL 2.
- 4 DATUMS ESTABLISHED BY CUSTOMER.
- 5 DRILLED HOLE DIAMETER 0.700±0.025  
COPPER THK 0.025-0.05  
TIN THICKNESS 0.004-0.01
- 6 DIMENSION ESTABLISHED BY CUSTOMER.
- 7 GENERAL PLATING SPECIFICATION: UNDERPLATING (ENTIRE CONTACT): 1.27µm MIN NICKEL AND ACTION PIN: 0.5µm MIN TIN. FOR PLATING OF MATING SURFACES SEE APPLICABLE SPECIFICATION REFERENCE FOR EACH DASH NUMBER.
- 8 DATE CODE AND PART NUMBER MARK IN APPROPRIATE OR OPPOSITE AREA

THIS DRAWING IS A CONTROLLED DOCUMENT.		DWN: B. CARBO 01JUN2005	TE Connectivity										
DIMENSIONS: mm		CHK: G. SKIPPER 01JUN2005											
TOLERANCES UNLESS OTHERWISE SPECIFIED:		APVD: G. SKIPPER 01JUN2005	NAME: RECEPTACLE ASSEMBLY, 144 POSITION, 12 ROW, Z-PACK HM										
<table border="1"> <tr><td>0 PLC</td><td>±</td></tr> <tr><td>1 PLC</td><td>±0.13</td></tr> <tr><td>2 PLC</td><td>±</td></tr> <tr><td>3 PLC</td><td>±</td></tr> <tr><td>4 PLC</td><td>±</td></tr> </table>		0 PLC	±	1 PLC	±0.13	2 PLC	±	3 PLC	±	4 PLC	±	PRODUCT SPEC: -	SIZE: A1
0 PLC	±												
1 PLC	±0.13												
2 PLC	±												
3 PLC	±												
4 PLC	±												
MATERIAL: HOUSING: 1 CONTACTS: 2		APPLICATION SPEC: -	CAGE CODE: 00779										
FINISH: CONTACTS: 3		WEIGHT: -	DRAWING NO: 5120637										
CUSTOMER DRAWING		SCALE: 5:1	SHEET 1 OF 1										

单击下面可查看定价，库存，交付和生命周期等信息

[>>TE Connectivity\(泰科\)](#)