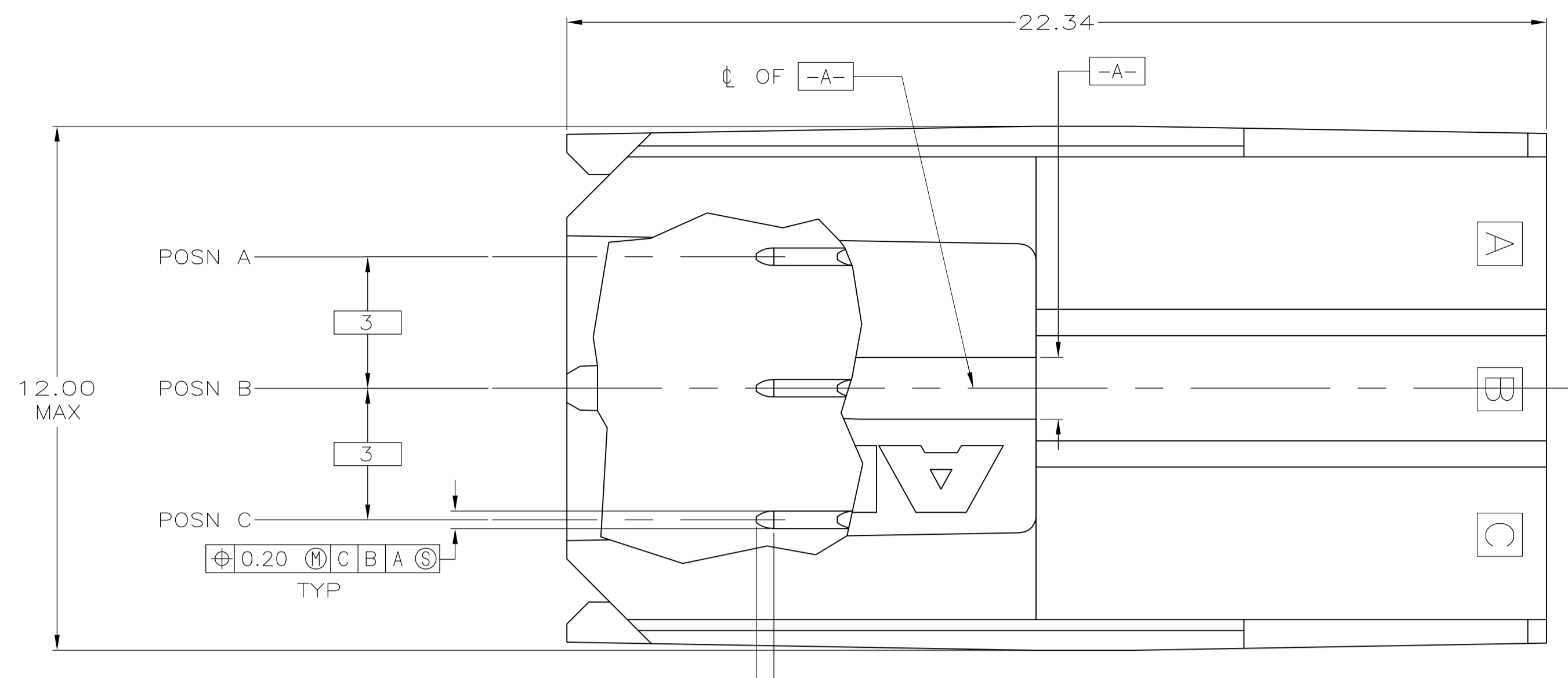
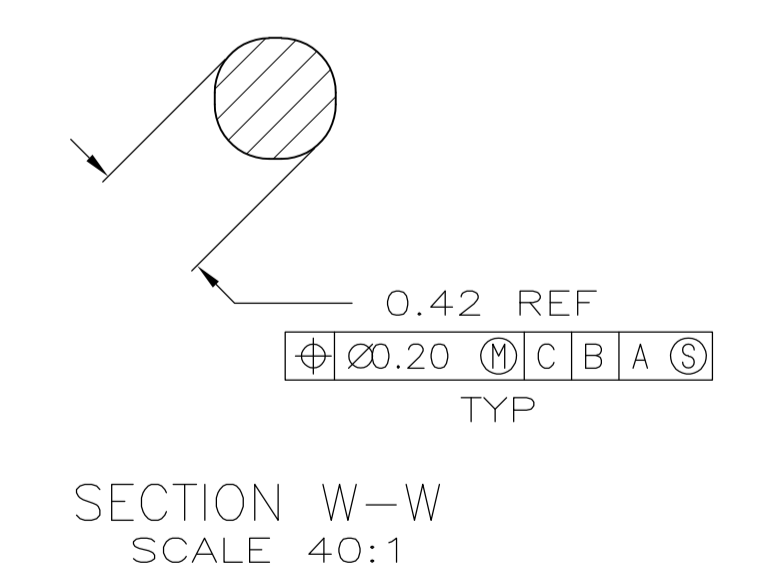
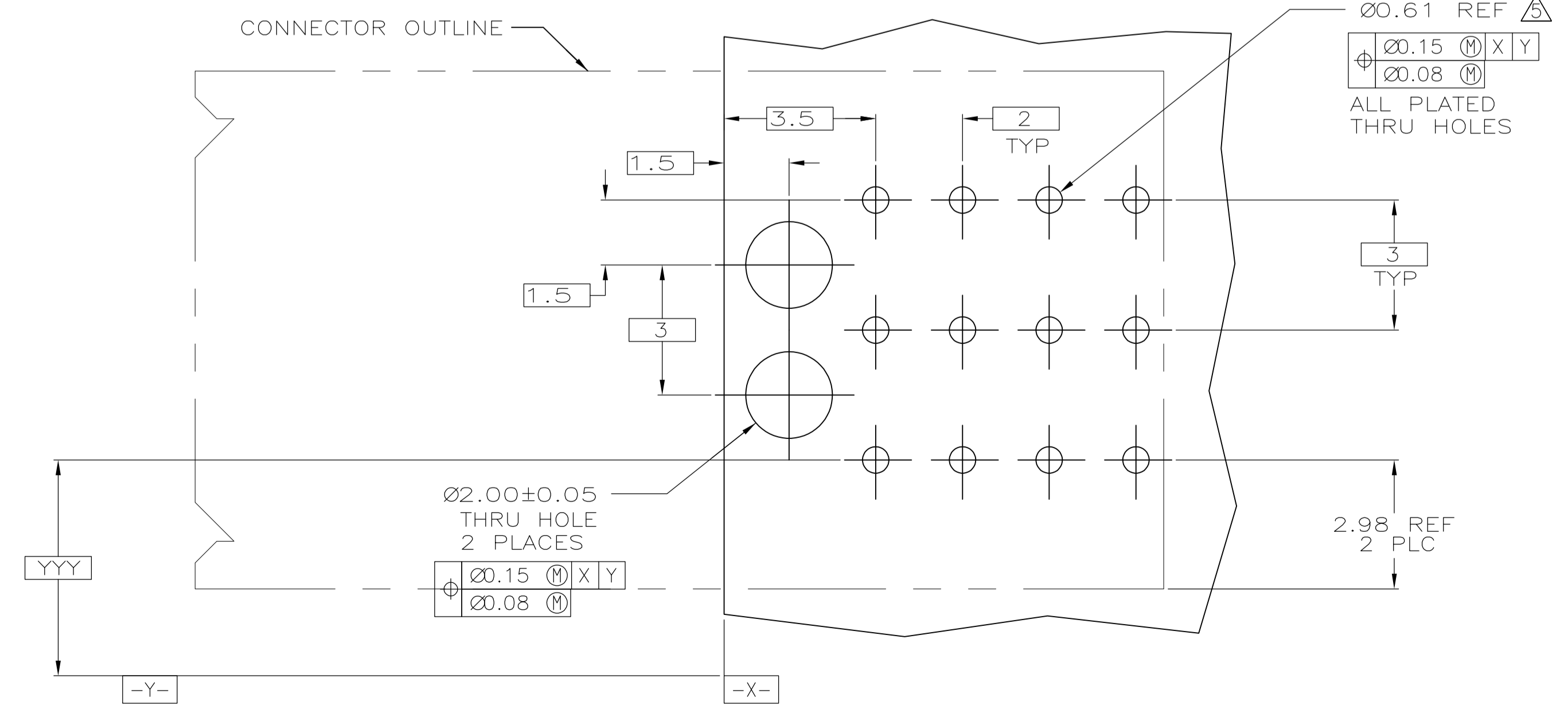
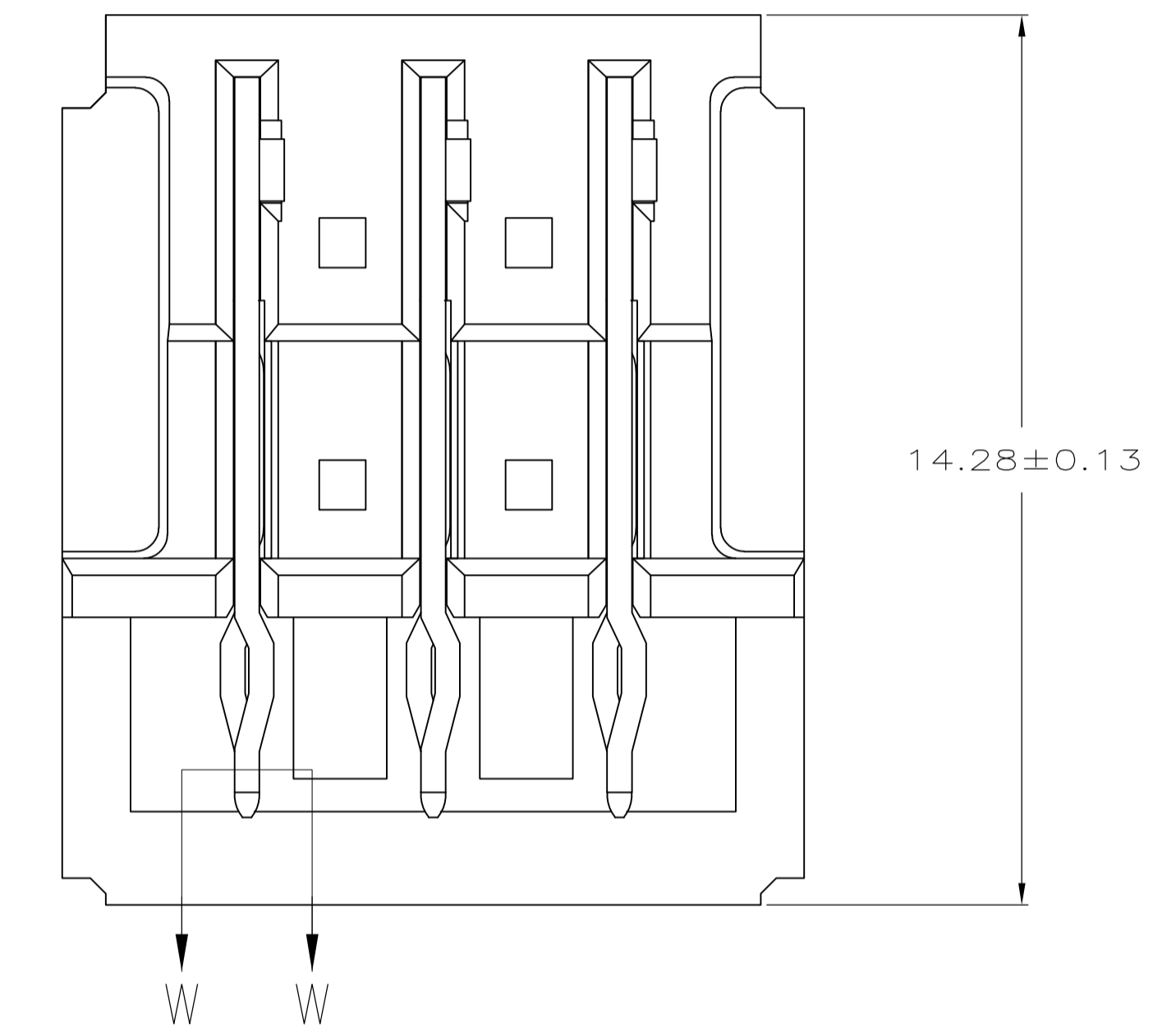
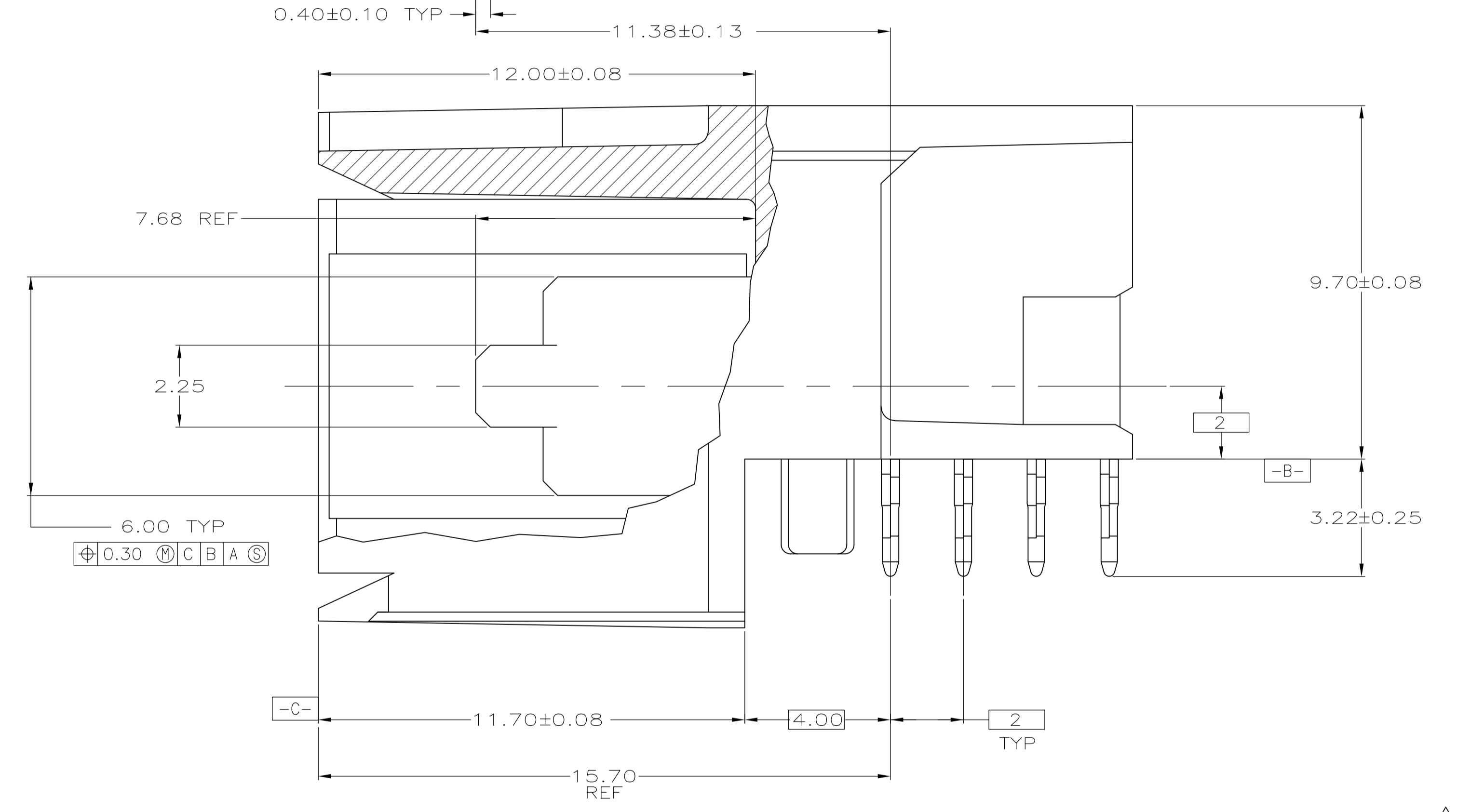
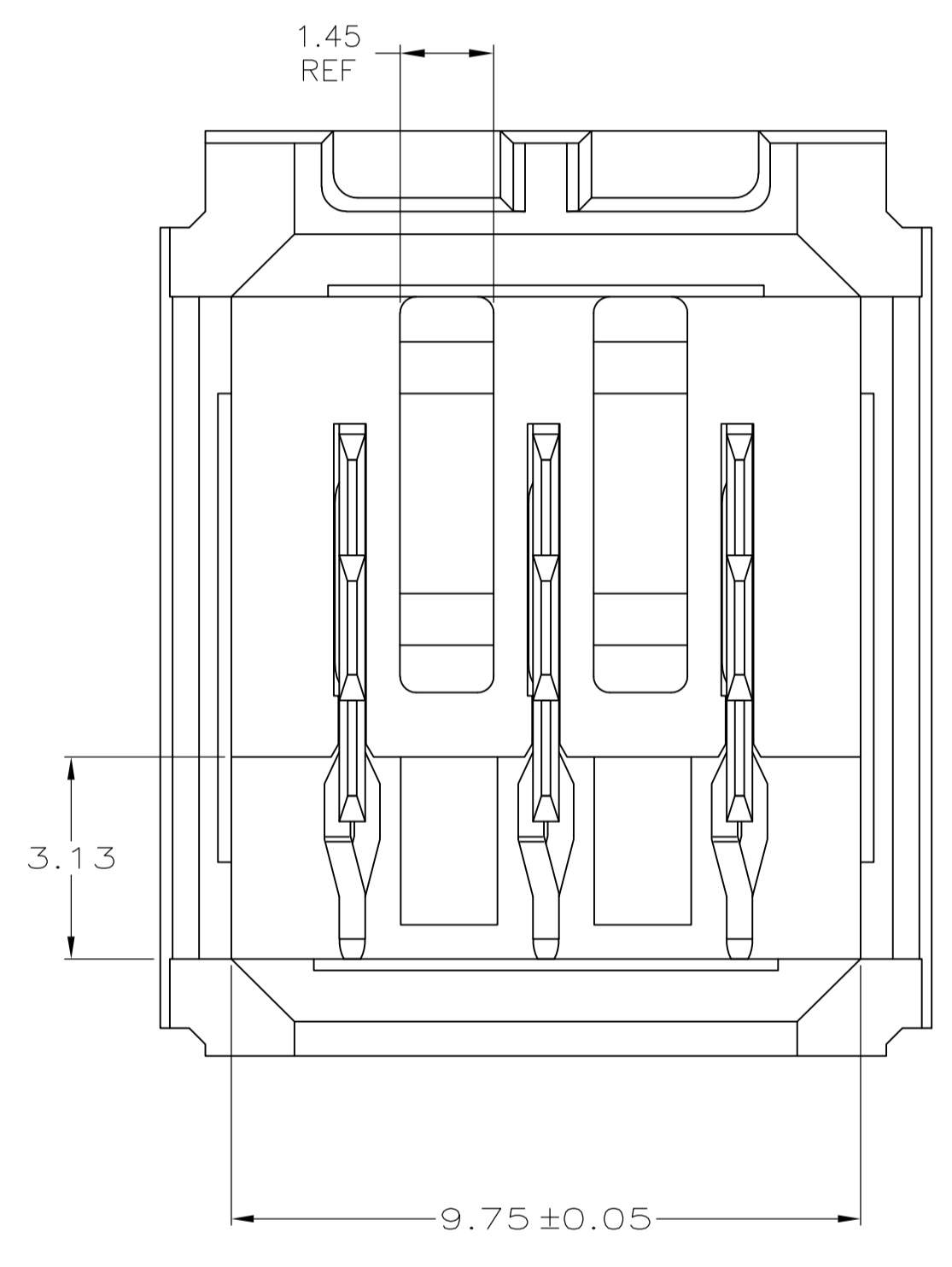


LOC		DIST		REVISIONS			
F	LTR	DATE	DN	APVD			
F	REVISED PER ECO-11-000045	04JAN11	DH	DY			



- 1 MATERIAL: HOUSING: POLYESTER. COLOR: GRAY. UL 94V-O CONTACT: PHOSPHOR BRONZE.
- 2 FINISH: CONTACT MATING AREA: 1.27µm MIN GOLD OR 0.08µm MIN GOLD OVER 0.76µm MIN PALLADIUM-NICKEL. ACTION PIN AREA: 0.5µm MIN TIN LEAD PLATE, ALL OVER 1.27µm MIN NICKEL UNDERPLATE.
- 3 FINISH: CONTACT LUBRICATION WITH BELLCORE APPROVED LUBRICANT. TECHNICAL REFERENCE: TR-NWT-001217 ISSUE 1, SEPT 1992.
- 4 MATERIAL: HOUSING: POLYESTER. COLOR: GRAY. UL 94V-O. CONTACT: HIGH CURRENT COPPER ALLOY.
- 5 REFERENCE APPLICATION SPEC 114-1103 FOR RECOMMENDED PLATED THRU HOLE DIAMETER AND PLATING THICKNESSES.
- 6 CURRENT RATING 10A/CONTACT FOR PHOS BRONZE CONTACTS AND 16A/CONTACT FOR HIGH CURRENT COPPER ALLOY CONTACTS PER PRODUCT SPEC 108-1651.
- 7 OBSOLETE PARTS: OBSOLETE CIS STREAMLINING DIST PER D.RENAUD/D.SINISI



SECTION W-W
SCALE 40:1

RECOMMENDED PCB HOLE LAYOUT

THIS DRAWING IS A CONTROLLED DOCUMENT.		DIN T. SHUEY 5-28-98		Tyco Electronics Corporation	
DIMENSIONS: mm		CHK R. PATTERSON 6-1-98		Tyco Electronics Corporation Harrisburg, PA 17105-3608	
TOLERANCES UNLESS OTHERWISE SPECIFIED:		APVD R. PATTERSON 6-1-98		NAME	
0 PLC	± -	PRODUCT SPEC		ASSEMBLY, RIGHT ANGLE HEADER, W/ RETENTION PEGS, UNIVERSAL POWER MODULE	
1 PLC	± -	APPLICATION SPEC		SIZE	
2 PLC	± 0.13	MATERIAL		SCALE 10:1	
3 PLC	± -	FINISH		SHEET 1 of 1	
4 PLC	± -	WEIGHT		REV F	
ANGLES	± -	CUSTOMER DRAWING		DRAWING NO. 223974	

单击下面可查看定价，库存，交付和生命周期等信息

[>>TE Connectivity\(泰科\)](#)