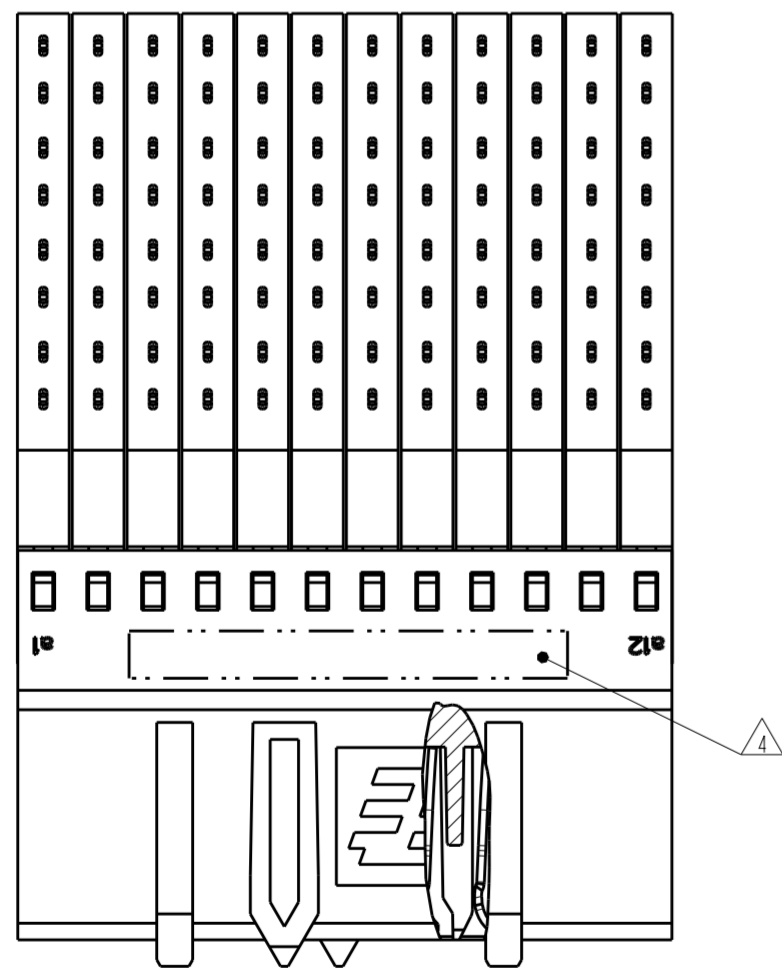
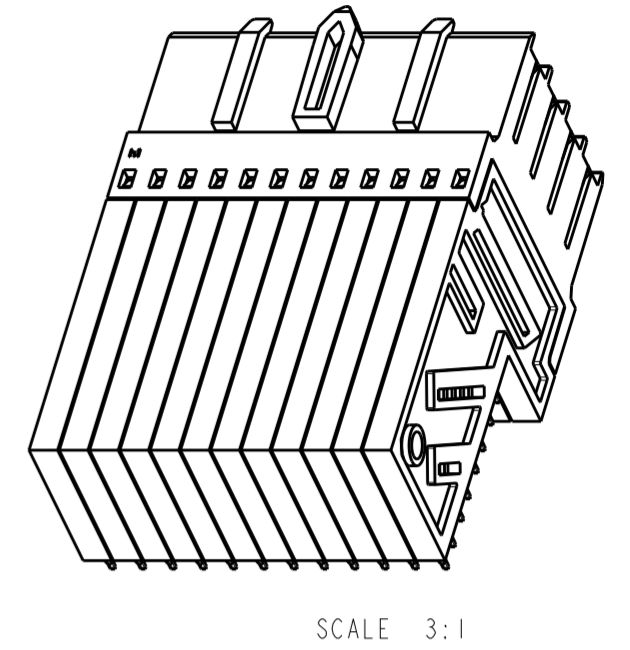
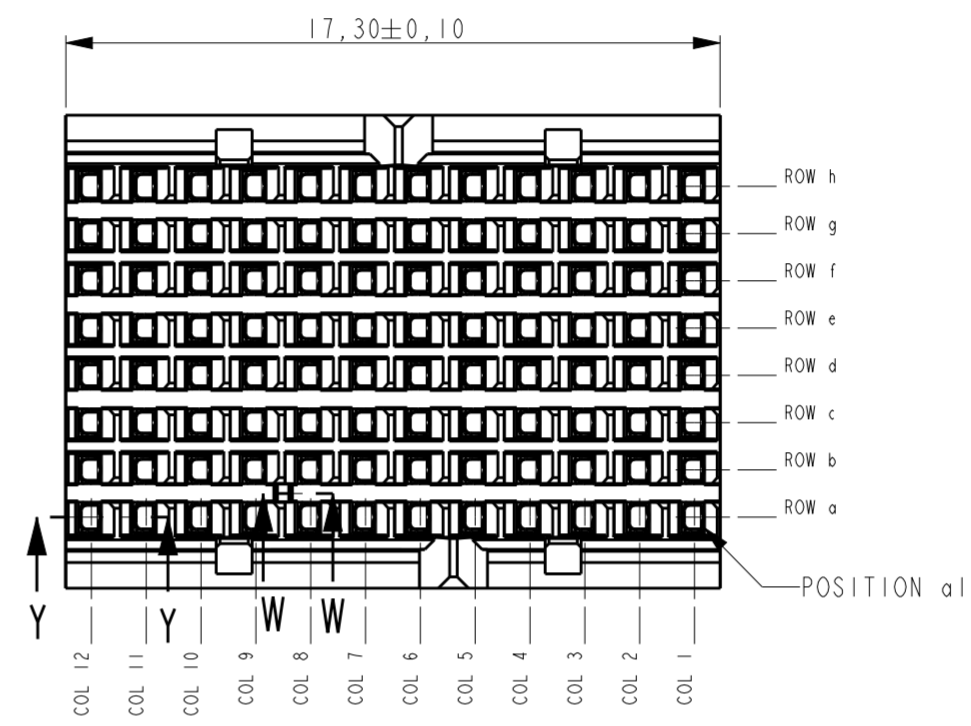
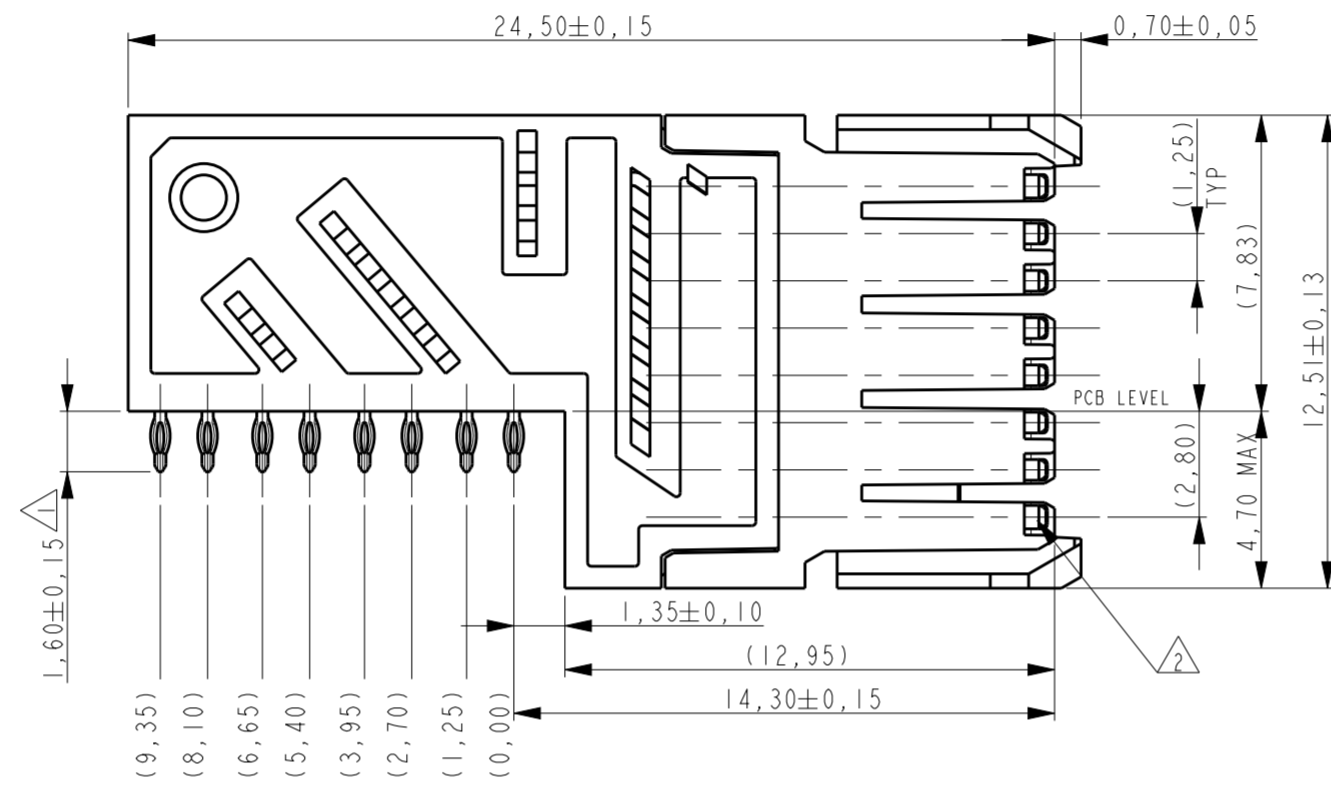
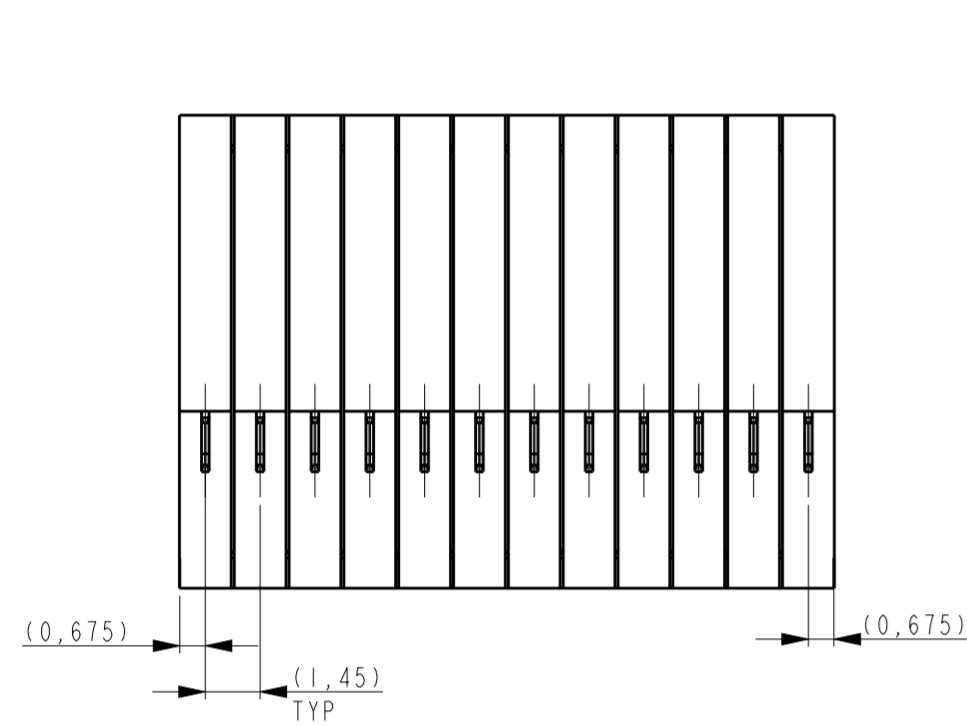
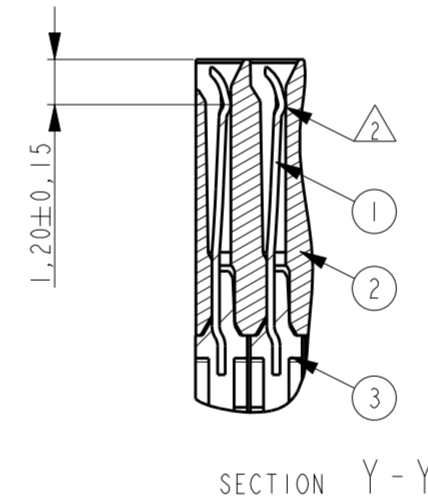


THIS DRAWING IS UNPUBLISHED. RELEASED FOR PUBLICATION
 © COPYRIGHT BY TYCO ELECTRONICS CORPORATION. ALL RIGHTS RESERVED.

LOC		DIST		REVISIONS			
P	LTR	DESCRIPTION	DATE	DWN	APVD		
A		DRAWING RELEASED PER ECR-11-017294	22AUG2011	JvdH	TdB		
AI		CHANGED PER ECR-12-010777	13JUN2012	BM	TdB		
B		ADDED TOLERANCES PER ECR-13-006546	17APR2013	JvdH	GJV		
C		REVISED PER ECR-13-017996	16DEC2013	FL	FY		



SECTION W-W
(KEY POSITION)



SECTION Y-Y

NOTES:

- 1 PLATING: 0,5µm MIN. TIN OVER NICKEL.
- 2 PLATING:

PARTNUMBER	PERFORMANCE LEVEL
1982738-1	PERFORMANCE LEVEL 1: CONNECTOR TESTED AND QUALIFIED AGAINST TELCORDIA GR-1217-CORE QUALITY LEVEL III: UNCONTROLLED ENVIRONMENT APPLICATIONS. SEE PRODUCT SPEC 108-19353
1982738-2	PERFORMANCE LEVEL 2: CONFORMS TO ALL TESTING ACCORDING PRODUCT SPEC 108-19320, -250 MATING CYCLES, 4 DAYS MIXED GAS TEST PER IEC 60068-2-60 METHOD 1

- 3 CONSULT APPLICATION SPEC OR CONTACT TE CONNECTIVITY FOR PERMISSIBLE CONTACT ASSIGNMENTS.
- 4 CONNECTOR MARKED WITH PARTNUMBER AND DATE CODE.

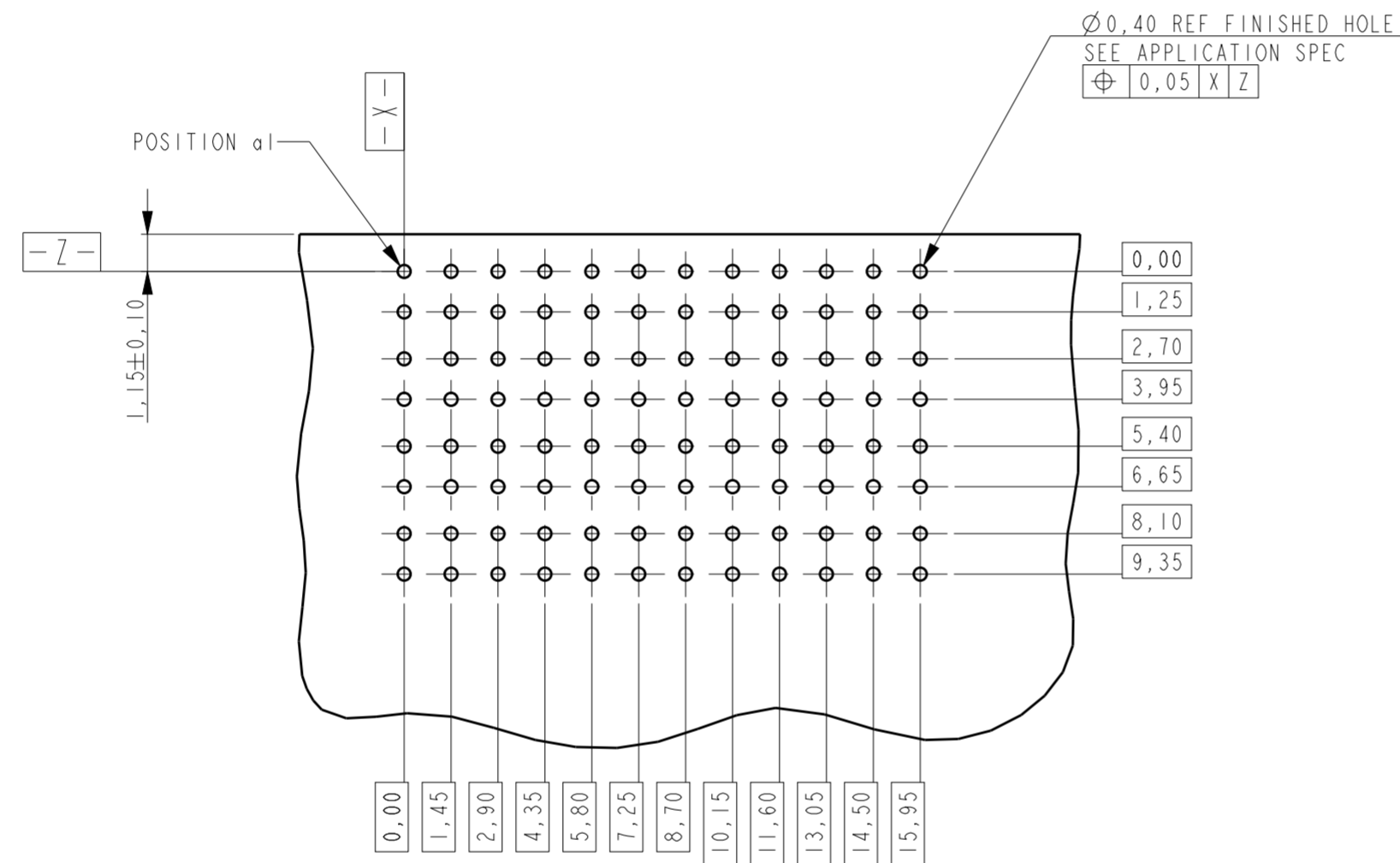
3	OVERMOLD	PBT 20% GF GREY
2	HOUSING	LCP 30% GF NATURAL
1	CONTACT	COPPER ALLOY
ITEM NO.	DESCRIPTION	MATERIAL

THIS DRAWING IS A CONTROLLED DOCUMENT.		DWN RA 31-Jan-2008
DIMENSIONS: mm		CHK RA 31-Jan-2008
TOLERANCES UNLESS OTHERWISE SPECIFIED:		APVD J BROEKSTEEG 31-Jan-2008
0 PLC	±	PRODUCT SPEC
1 PLC	±	SEE NOTE 2
2 PLC	±	APPLICATION SPEC
3 PLC	±	114-19106
4 PLC	±	WEIGHT -
ANGLES	±	Customer Drawing
FINISH	±	

TE Connectivity		NAME	
		FEMALE CONNECTOR Z-PACK Slim UHD Common Speed	
SIZE	CAGE CODE	DRAWING NO	RESTRICTED TO
A2	00779	C-1982738	-
SCALE 5:1		SHEET 1 OF 2	REV C

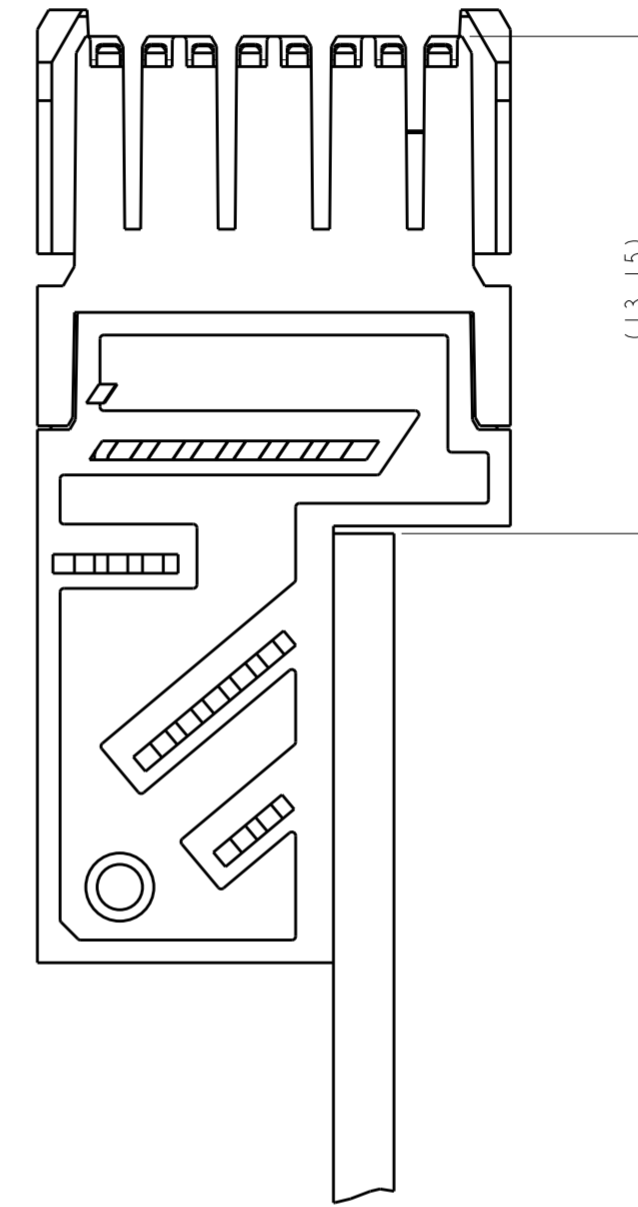
THIS DRAWING IS UNPUBLISHED. RELEASED FOR PUBLICATION
 © COPYRIGHT - BY TYCO ELECTRONICS CORPORATION. ALL RIGHTS RESERVED.

LOC	DIST	REVISIONS			
P	LTR	DESCRIPTION	DATE	DWN	APVD
H	-	SEE SHEET 1	-	-	-



BOARD THICKNESS 1,2 MIN

RECOMMENDED PCB LAYOUT
(COMPONENT SIDE SHOWN)



THIS DRAWING IS A CONTROLLED DOCUMENT.		DWN RA 31-Jan-2008	STE TE Connectivity	
		CHK RA 31-Jan-2008		
DIMENSIONS: mm		APVD J.BROEKSTEEG 31-Jan-2008	NAME FEMALE CONNECTOR Z-PACK Slim UHD Common Speed	
TOLERANCES UNLESS OTHERWISE SPECIFIED:		PRODUCT SPEC SEE SHEET 1	SIZE A2	
0 PLC ±		APPLICATION SPEC SEE SHEET 1	CAGE CODE 00779	DRAWING NO C-1982738
1 PLC ±			RESTRICTED TO -	
2 PLC ±			SCALE 5:1	
3 PLC ±			SHEET 2 OF 2	
4 PLC ±			REV C	
ANGLES ±				
FINISH		WEIGHT -		
MATERIAL -		Customer Drawing		

单击下面可查看定价，库存，交付和生命周期等信息

[>>TE Connectivity\(泰科\)](#)