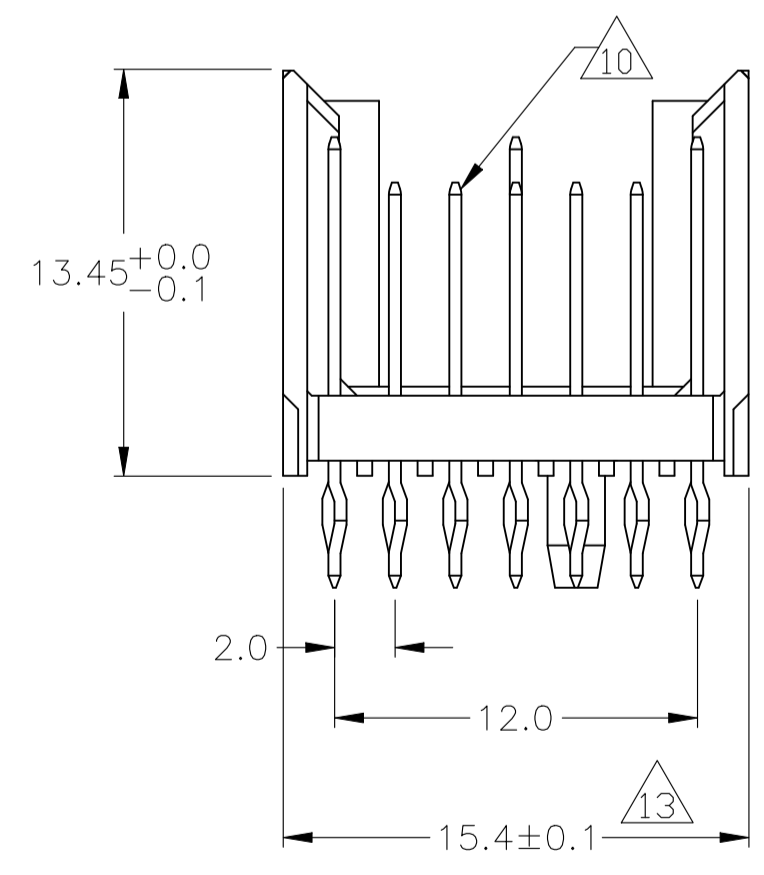
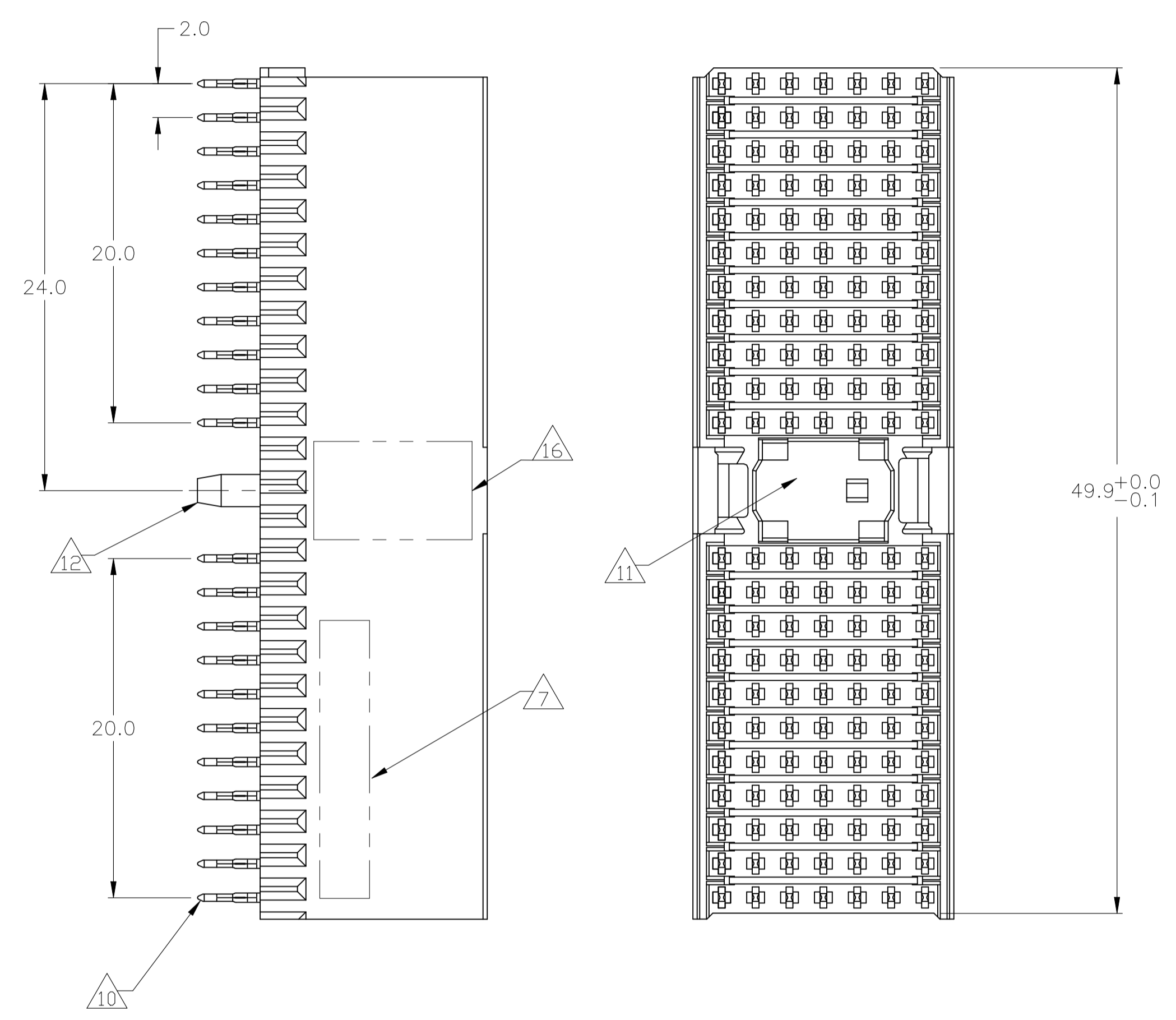


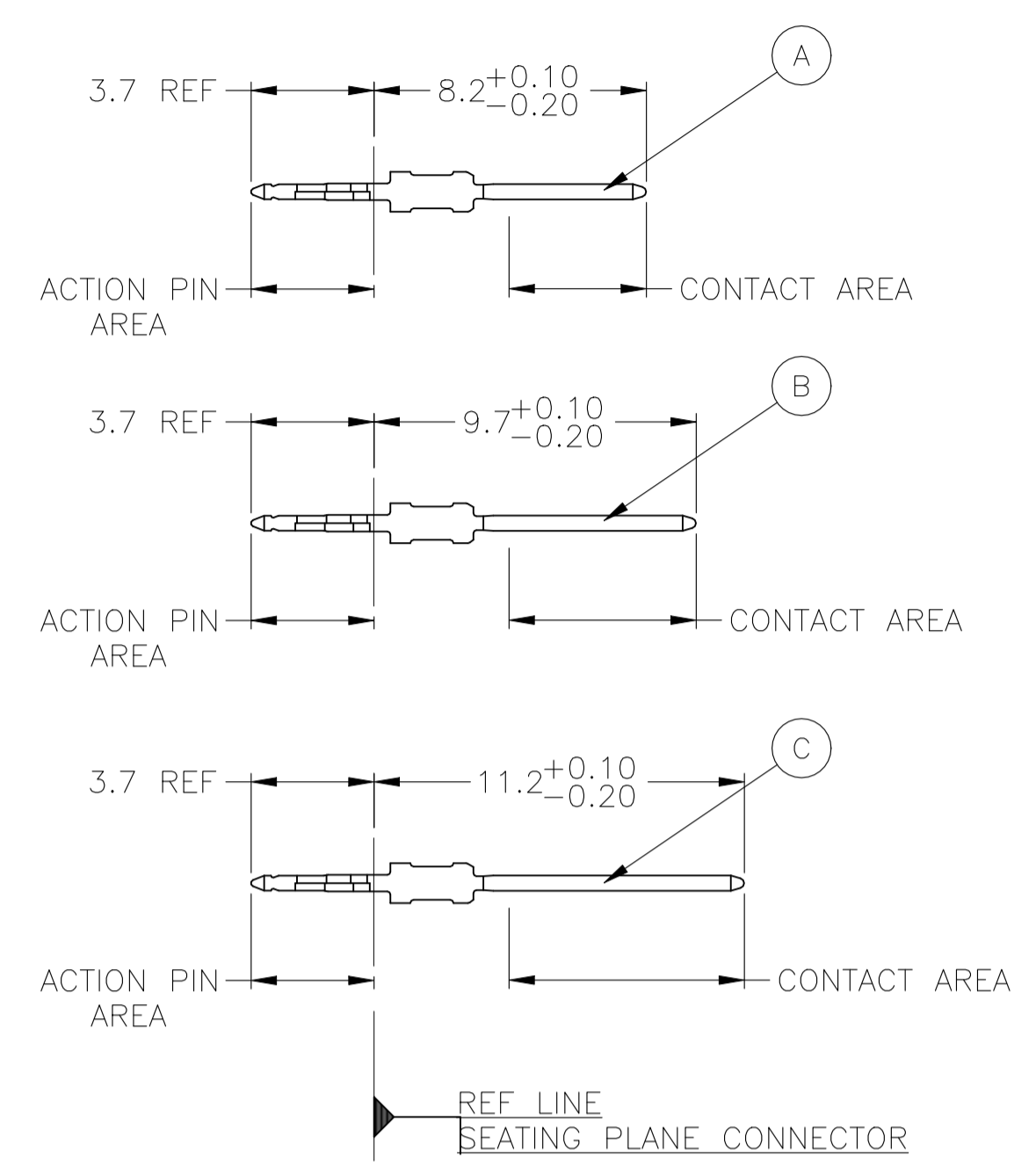
REVISIONS				
P	LTR	DESCRIPTION	DATE	APP'D
G		ECC-21-002938	3MAR2021	TL HL

CONNECTOR ASSEMBLY EXAMPLARY LOADED

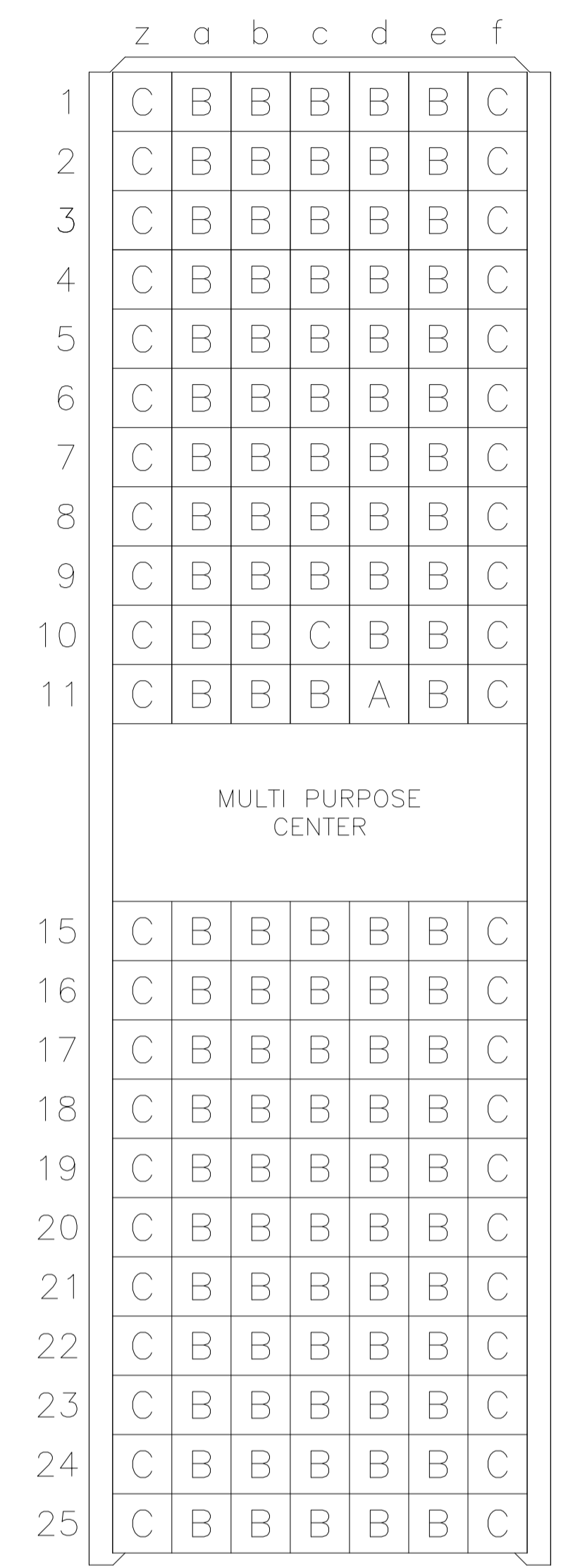


CONTACT DIMENSIONS

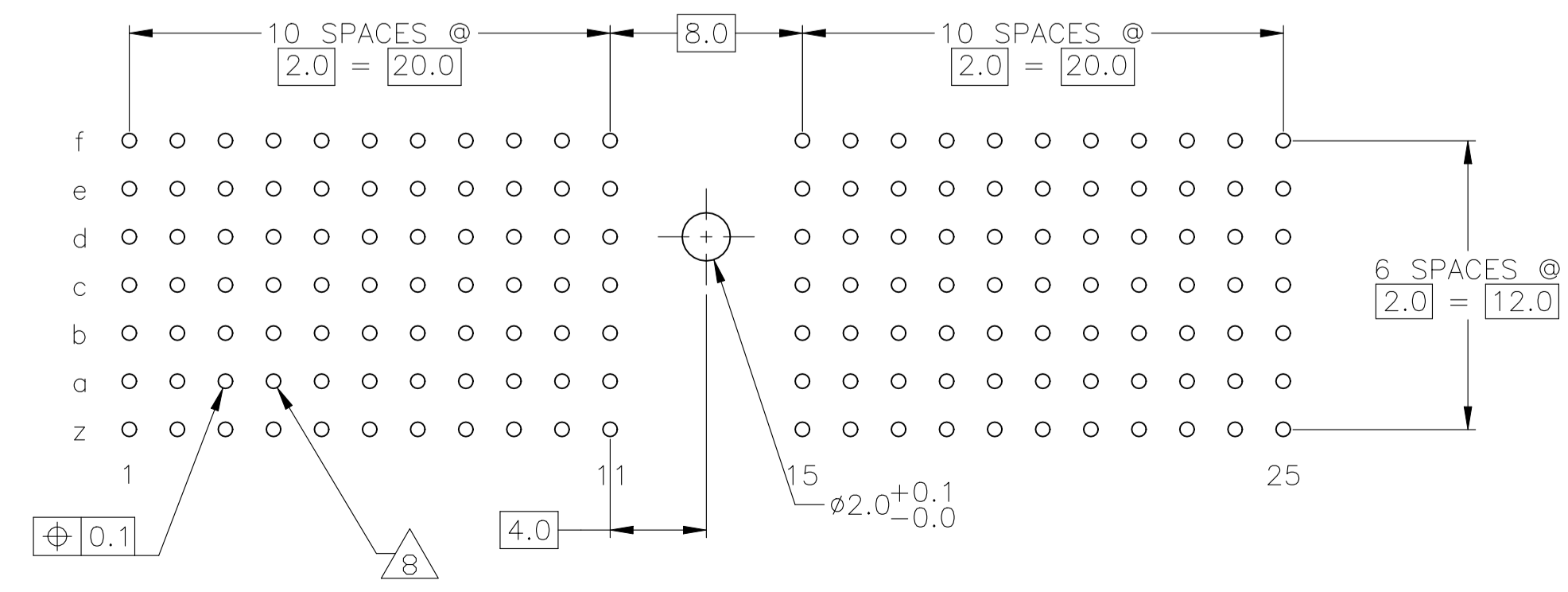
SCALE 5:1



CONTACT LAYOUT



RECOMMENDED PCB-HOLE LAYOUT COMPONENT SIDE SHOWN



PLATED THRU HOLES PARAMETERS

REFERENCE APPLICATION SPECIFICATION


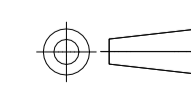
	2	15	5	14	3-188834-0
DISOLETE	2	6	14		-1-188834-9
DISOLETE	2	5	14		-188834-9-
	2	4			188834-4
	2	3			188834-1
FINISH				PART NUMBER	

THIS DRAWING IS A CONTROLLED DOCUMENT.

DIMENSIONS: mm	TOLERANCES UNLESS OTHERWISE SPECIFIED:	DIN B CARBO 13DEC05	13DEC05
0-PLC ±	1-PLC ±0.1	G.SKIPPER	
2-PLC ±	3-PLC ±	G.SKIPPER	13DEC05
4-PLC ±	ANGLES ±	NAME	
MATERIAL	FINISH SEE TABLE	108-19082	MALE ASSEMBLY, Z-PACK 2mm HM, TYPE A
		114-19029	RESTRICTED TO
		WEIGHT 0	A1 00779 C=188834
		CUSTOMER DRAWING	SCALE 4:1 SHEET 1 of 2 REV G

- 1 MATERIAL:
CONTACT: PHOSPHOR BRONZE.
HOUSING: GLASS-FILLED POLYESTER.
- 2 GENERAL PLATING SPECIFICATION: UNDERPLATING
(ENTIRE CONTACT): 1.27µm MIN NICKEL AND ACTION
PIN: 0.5µm MIN TIN\LEAD.
FOR PLATING OF MATING SURFACES SEE APPLICABLE
SPECIFICATION REFERENCE FOR EACH DASH NUMBER.
- 3 CONFORMS TO ALL TESTING ACCORDING TO IEC 61076-4-101
PERFORMANCE LEVEL 2.
- 4 CONFORMS TO ALL TESTING ACCORDING TO IEC 61076-4-101
PERFORMANCE LEVEL 1.
- 5 CONNECTOR TESTED AND QUALIFIED AGAINST TELCORDIA GR-1217-CORE QUALITY LEVEL 3,
CENTRAL OFFICE APPLICATIONS.
- 6 CONNECTOR TESTED AND QUALIFIED AGAINST TELCORDIA GR-1217-CORE QUALITY LEVEL 3,
UNCONTROLLED ENVIROMENT APPLICATIONS.
- 7 CONNECTOR MARKED WITH PART NUMBER AND DATE CODE.
ADDITIONAL CHARACTERS OR MARKINGS, AS WELL AS THE LOCATION OF THE MARKINGS,
MAY BE ADDED FOR TRACEABILITY BASED UPON MANUFACTURERS DISCRETION.
- 8 PLATED-THROUGH HOLES AT 2x2mm SQUARE GRID
PATTERN DEFINED BY CONTACT LAYOUT.
- 9 FOR ACTUAL PIN LOADING SEE "CONTACT LAYOUT".
- 10 FOR ACTUAL PIN DIMENSIONS SEE "CONTACT DIMENSIONS".
- 11 AREA RESERVED FOR KEYING PART (BASIC P/N 100525)
- 12 POLARIZATION FEATURE.
- 13 TO BE MEASURED AT BOTTOM OF SHROUD.
- 14 CONNECTOR LUBRICATED WITH BELCORE APPROVED LUBRICANT,
TECHNICAL REFERENCE: TR-NWT-001217 ISSUE 1, SEP 1992.
- 15 0.76µm MIN GOLD PLATING MATING SURFACES.
- 16 VOID CORING PERMISSIBLE IN THIS AREA

REVISIONS				
REV	DATE	DESCRIPTION	BY	APP'D
-	-	SEE SHEET 1	-	-

THIS DRAWING IS A CONTROLLED DOCUMENT.		DWG G-CARBO	13DEC05	 TE Connectivity Ltd.	
		CHK G-SKIPPER	13DEC05		
DIMENSIONS: mm		TOLERANCES UNLESS OTHERWISE SPECIFIED:		NAME MALE ASSEMBLY, Z-PACK 2mm HM, TYPE A	
		0-PLC	±	PRODUCT SPEC	
		1-PLC	± 0.1	108-19082	
		2-PLC	±	APPLICATION SPEC	
		3-PLC	±	114-19029	
		4-PLC	±	SIZE	
		ANGLES	±	CAGE CODE	
MATERIAL SEE SHEET 1	FINISH SEE SHEET 1	WEIGHT	-	DRAWING NO A1 00779	
		CUSTOMER DRAWING		RESTRICTED TO -	
				SCALE	4:1
				SHEET	2 of 2
				REV	G

单击下面可查看定价，库存，交付和生命周期等信息

[>>TE Connectivity\(泰科\)](#)