

THIS DRAWING IS UNPUBLISHED.

RELEASED FOR PUBLICATION

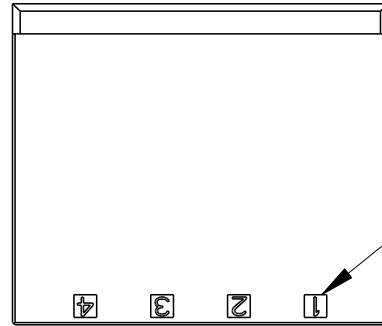
20

© COPYRIGHT 20

BY Tyco Electronics Japan G.K.

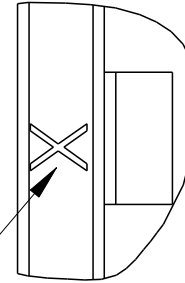
ALL RIGHTS RESERVED.

LOC	DIST	REVISIONS					
		P	LTR	DESCRIPTION	DATE	DWN	APVD
J	-	A		RELEASED	12SEP2007	T.S	D.M
		B		REVISED	18JAN2012	T.N	N.Y



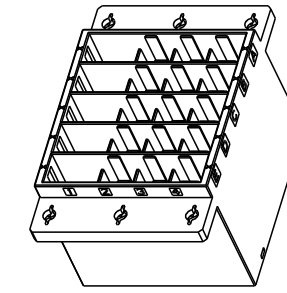
AS SHOWN: 2013285-2  
(P/M BOTTOM)  
KEYING CODE: X

回路番号  
CIRCUIT No

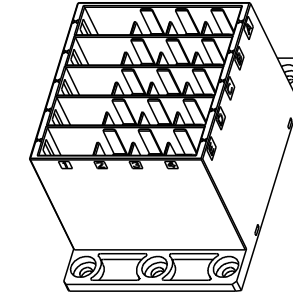


KEYING CODE: X

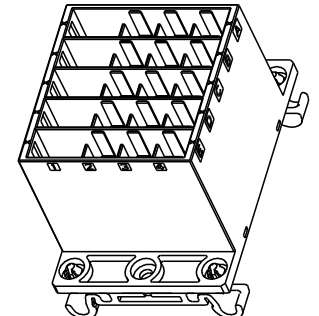
DETAIL A  
SCALE 5:1



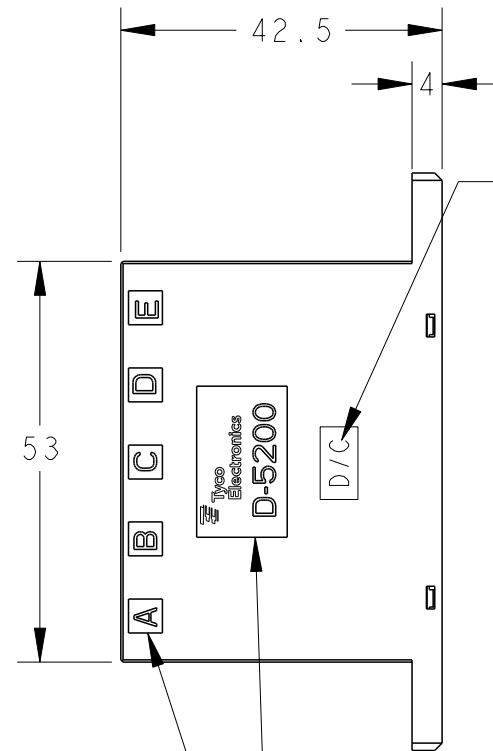
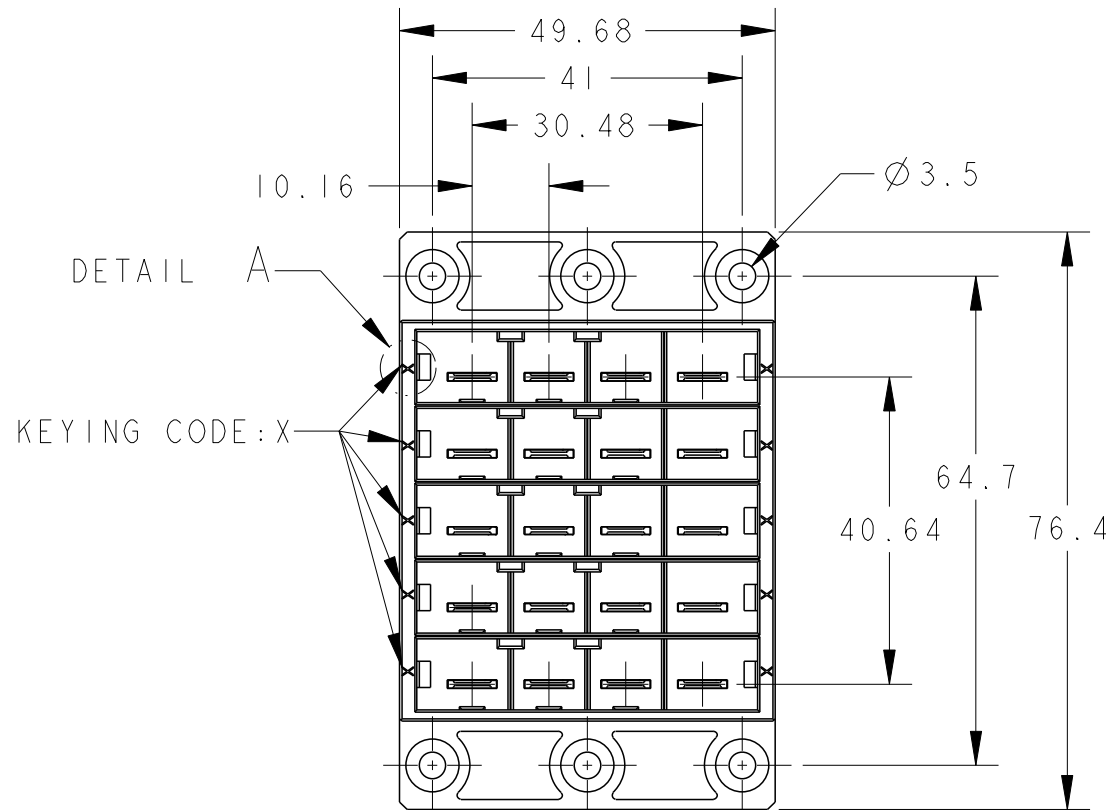
P/M FRONT  
2013285-1  
2-2013285-1



P/M BOTTOM  
2013285-2  
2-2013285-2



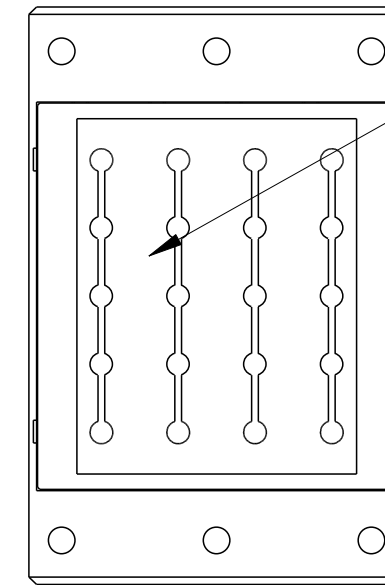
WITH DIN TYPE  
2013285-3  
2-2013285-2



デートコード  
DATE CODE

列番号  
ROW No

Tycoマーク&シリーズマーク  
Tyco MARK & SERIES MARK

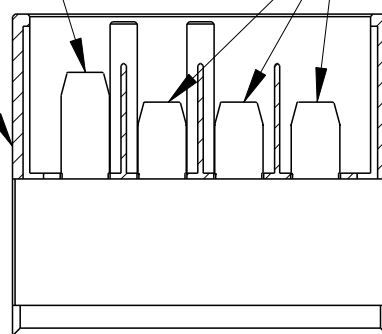


キャップハウジング  
CAP HOUSING

ロングタブコンタクト  
LONG TAB CONTACT

タブコンタクト  
TAB CONTACT

タブハウジング  
TAB HOUSING



4 OF 4	Y	2-2013285-3	WITH DIN TYPE
2 OF 4	X	2013285-3	
3 OF 4	Y	2-2013285-2	P/M BOTTOM
1 OF 4	X	2013285-2	
3 OF 4	Y	2-2013285-1	P/M FRONT
2 OF 4	X	2013285-1	
SHEET	KEY	P/N	DESCRIPTION

DIMENSIONS:		TOLERANCES UNLESS OTHERWISE SPECIFIED:		MATERIAL		FINISH	
mm		0 PLC	± 0.4	1		2	
		1 PLC	± 0.4				
		2 PLC	± 3°				
		3 PLC	±				
		4 PLC	±				
		ANGLES	±				

THIS DRAWING IS A CONTROLLED DOCUMENT.		DWN	12SEP2007	TE Connectivity NAME DYNATAP CONN. 20P ASSY DYNAMIC D-5200SERIES	
		CHK	12SEP2007		
		APVD	12SEP2007		
		PRODUCT SPEC	108-78370		
		APPLICATION SPEC	114-5206	SIZE	A300779
		WEIGHT		CAGE CODE	C=2013285
		CUSTOMER DRAWING		SCALE	1:1
				SHEET	1 OF 4
				REV	B

THIS DRAWING IS UNPUBLISHED.

RELEASED FOR PUBLICATION

20

LOC J

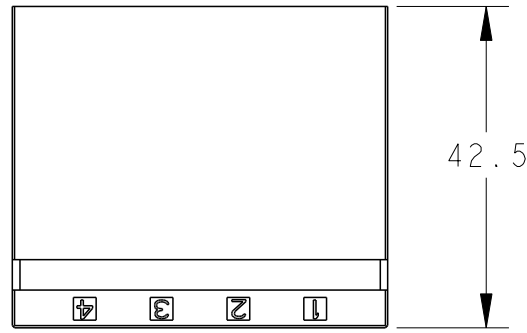
DIST -

REVISIONS

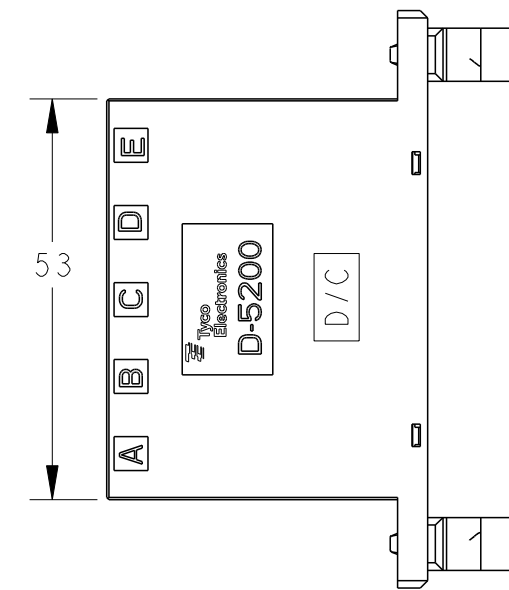
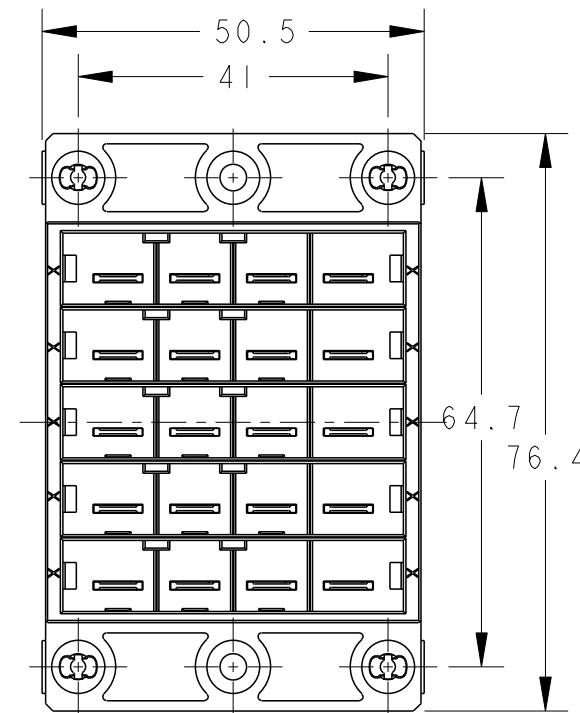
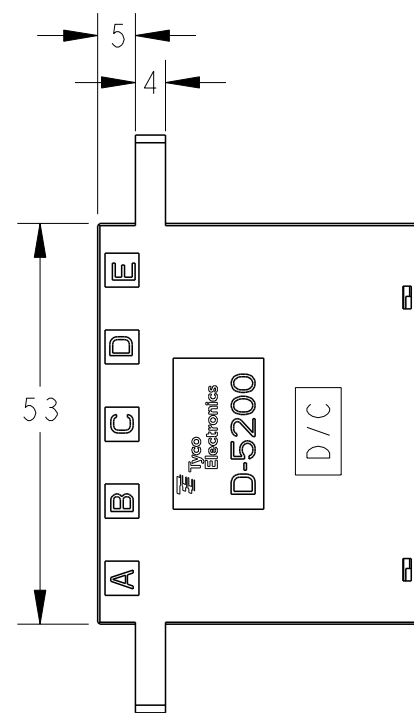
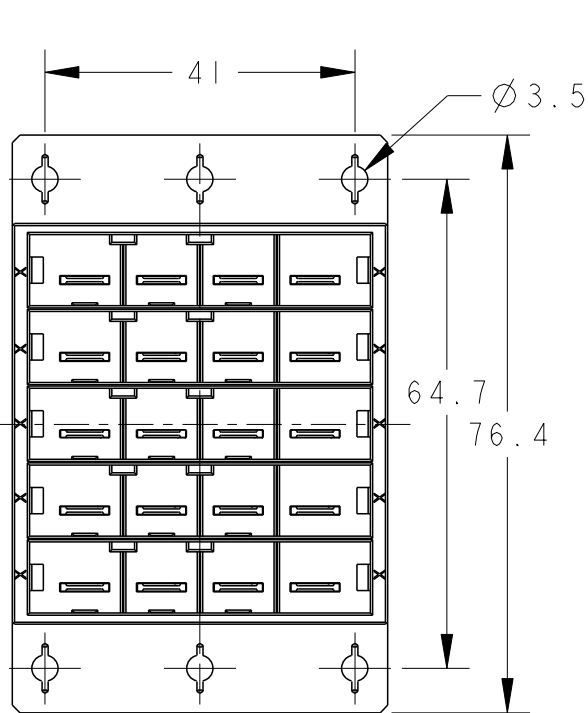
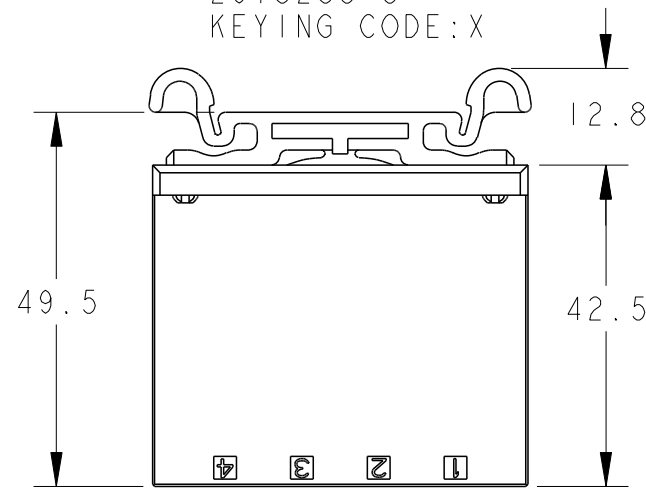
© COPYRIGHT 20 BY Tyco Electronics Japan G.K. ALL RIGHTS RESERVED.

P	LTR	DESCRIPTION	DATE	DWN	APVD
-	-	SEE SHEET 1	-	-	-

P/M FRONT  
2013285-1  
KEYING CODE: X



WITH DIN TYPE  
2013285-3  
KEYING CODE: X



THIS DRAWING IS A CONTROLLED DOCUMENT.

DWN
CHK
APVD
PRODUCT SPEC
APPLICATION SPEC
WEIGHT



DIMENSIONS: mm	
MATERIAL	

TOLERANCES UNLESS OTHERWISE SPECIFIED:	
0 PLC	± 0.4
1 PLC	± 0.4
2 PLC	± 3°
3 PLC	±
4 PLC	±
ANGLES	±
FINISH	±

NAME DYNATAP CONN. 20P ASSY DYNAMIC D-5200SERIES			
SIZE	CAGE CODE	DRAWING NO	RESTRICTED TO
A300779	C=2013285		-

CUSTOMER DRAWING	SCALE 1:1	SHEET 2 OF 4	REV B
------------------	-----------	--------------	-------

THIS DRAWING IS UNPUBLISHED.

RELEASED FOR PUBLICATION

20

© COPYRIGHT 20

BY Tyco Electronics Japan G.K.

ALL RIGHTS RESERVED.

LOC  
J

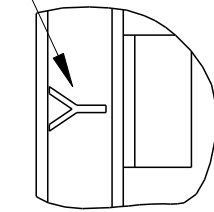
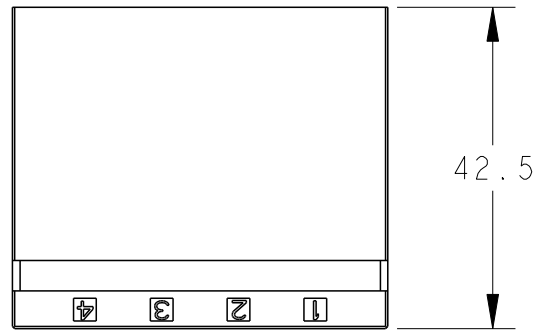
DIST  
-

REVISIONS

P	LTR	DESCRIPTION	DATE	DWN	APVD
	-	SEE SHEET 1	-	-	-

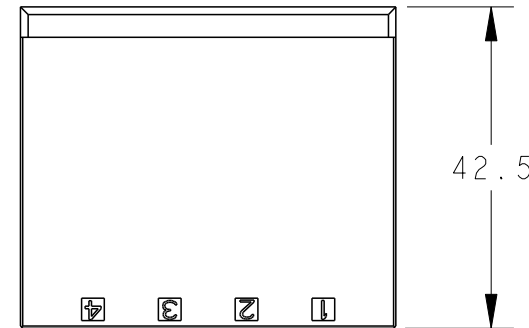
KEYING CODE: Y

P/M FRONT  
2-2013285-1  
KEYING CODE: Y

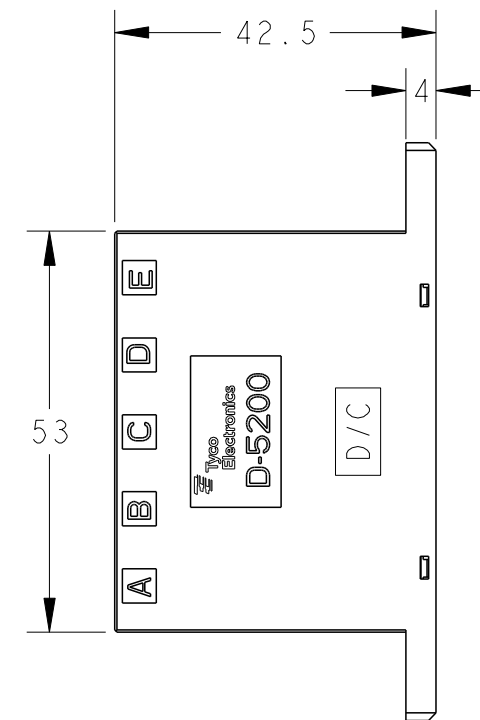
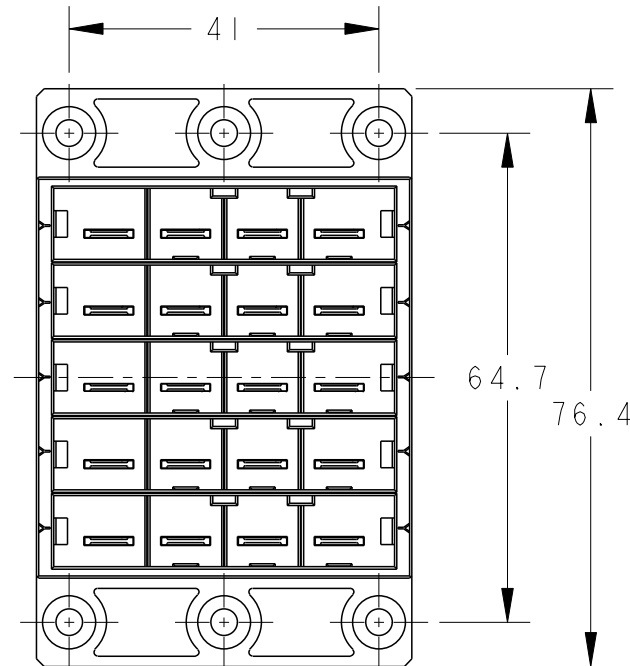
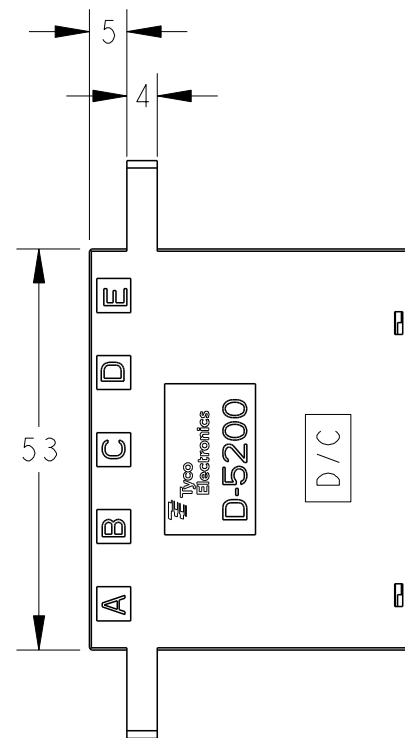
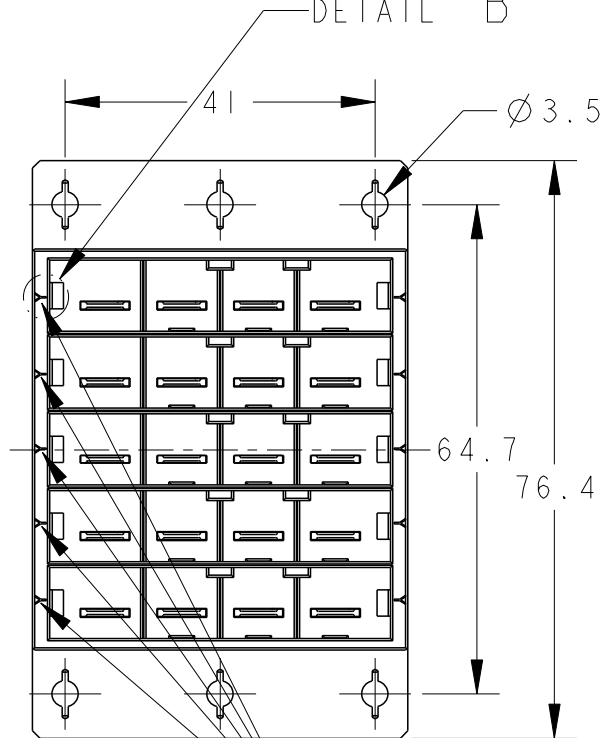


DETAIL B  
SCALE 5:1

P/M BOTTOM  
2-2013285-2  
KEYING CODE: Y



DETAIL B



KEYING CODE: Y

THIS DRAWING IS A CONTROLLED DOCUMENT.

DWN
CHK
APVD
PRODUCT SPEC
APPLICATION SPEC
WEIGHT



DIMENSIONS: mm	
MATERIAL	

TOLERANCES UNLESS OTHERWISE SPECIFIED:	
0 PLC	±
1 PLC	± ± 0.4
2 PLC	± ± 3°
3 PLC	±
4 PLC	±
ANGLES	±
FINISH	±

NAME DYNATAP CONN. 20P ASSY DYNAMIC D-5200SERIES			
SIZE	CAGE CODE	DRAWING NO	RESTRICTED TO
A	300779	C-2013285	-

CUSTOMER DRAWING SCALE 1:1 SHEET 3 OF 4 REV B

4

3

2

1

THIS DRAWING IS UNPUBLISHED.

RELEASED FOR PUBLICATION

20

© COPYRIGHT 20

BY Tyco Electronics Japan G.K.

ALL RIGHTS RESERVED.

LOC	DIST	REVISIONS					
		P	LTR	DESCRIPTION	DATE	DWN	APVD
J	-		-	SEE SHEET 1	-	-	-

WITH DIN TYPE  
2-2013285-3  
KEYING CODE: Y

ハ°ネル加工推奨寸法図  
RECOMMEND PANEL LAYOUT

注記

1 材料:ハウジング:熱可塑性ホ°ポリエステル樹脂 黒色  
:DIN レール取付部:熱可塑性ホ°ポリエステル樹脂 黒色  
:コンタクト:銅合金

2 メッキ:コンタクト:全面Ni下地I. 3μmMIN.  
接点部金メッキ0.38μmMIN  
3. DINレール取付適用幅は、35±0.3mmとする。

NOTES

1 MATERIAL  
:HOUSING:GLASS FIELD THERMO PLASTIC,POLYESTER COLOR:BLACK  
:DIN RAIL FOOT:GLASS FIELD THERMO PLASTIC,POLYESTER COLOR:BLACK  
:CONTACT:COPPER ALLOY

2 FINISH  
:UNDER PLATE:Ni I. 3μm MIN,CONTACT AREA:Au 0.38μm MIN  
3 WIDTH OF DIN RAIL ATTACHMENT APPLICATION:35±0.3mm

THIS DRAWING IS A CONTROLLED DOCUMENT.

DIMENSIONS: mm	TOLERANCES UNLESS OTHERWISE SPECIFIED:
	0 PLC ± ±0.4
	1 PLC ± ±0.4
	2 PLC ± ±3°
	3 PLC ± ±3°
	4 PLC ± ±
MATERIAL	FINISH

DWN	TE Connectivity		
CHK	NAME		
APVD	DYNATAP CONN. 20P ASSY		
PRODUCT SPEC	DYNAMIC D-5200SERIES		
APPLICATION SPEC	SIZE	CAGE CODE	DRAWING NO
WEIGHT	A300779	C=2013285	RESTRICTED TO
CUSTOMER DRAWING	SCALE	SHEET 4 OF 4	REV B

1470-19 (3/11)

Downloaded From [Onevac.com](http://Onevac.com)

单击下面可查看定价，库存，交付和生命周期等信息

[>>TE Connectivity\(泰科\)](#)