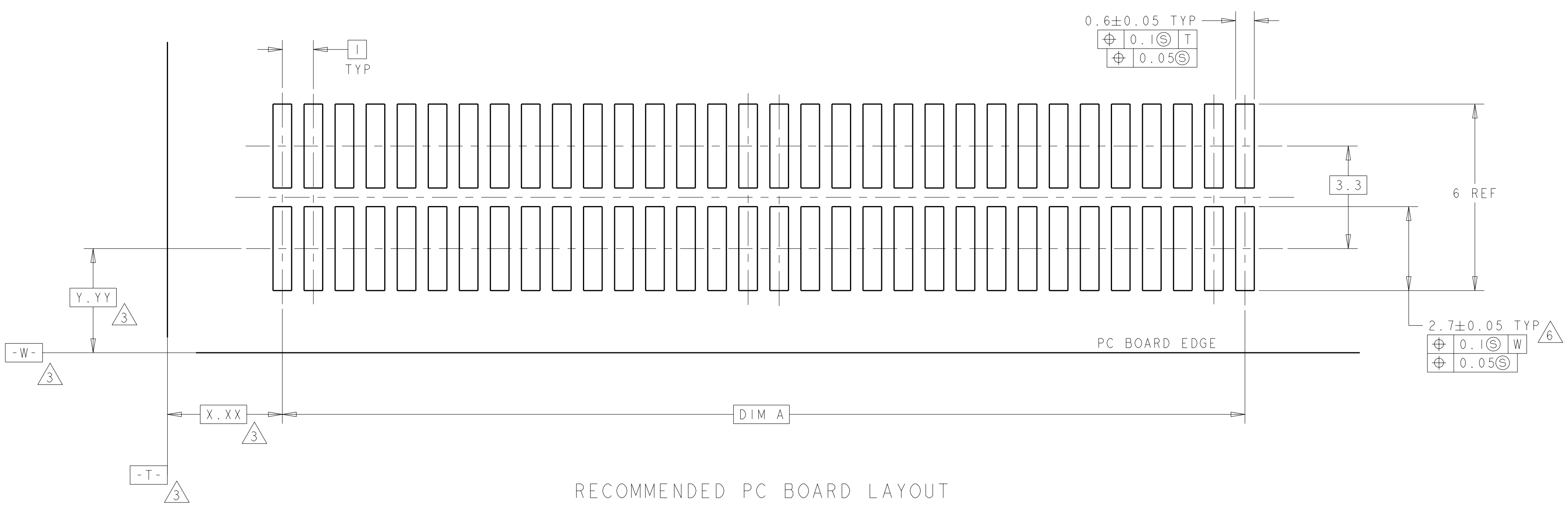
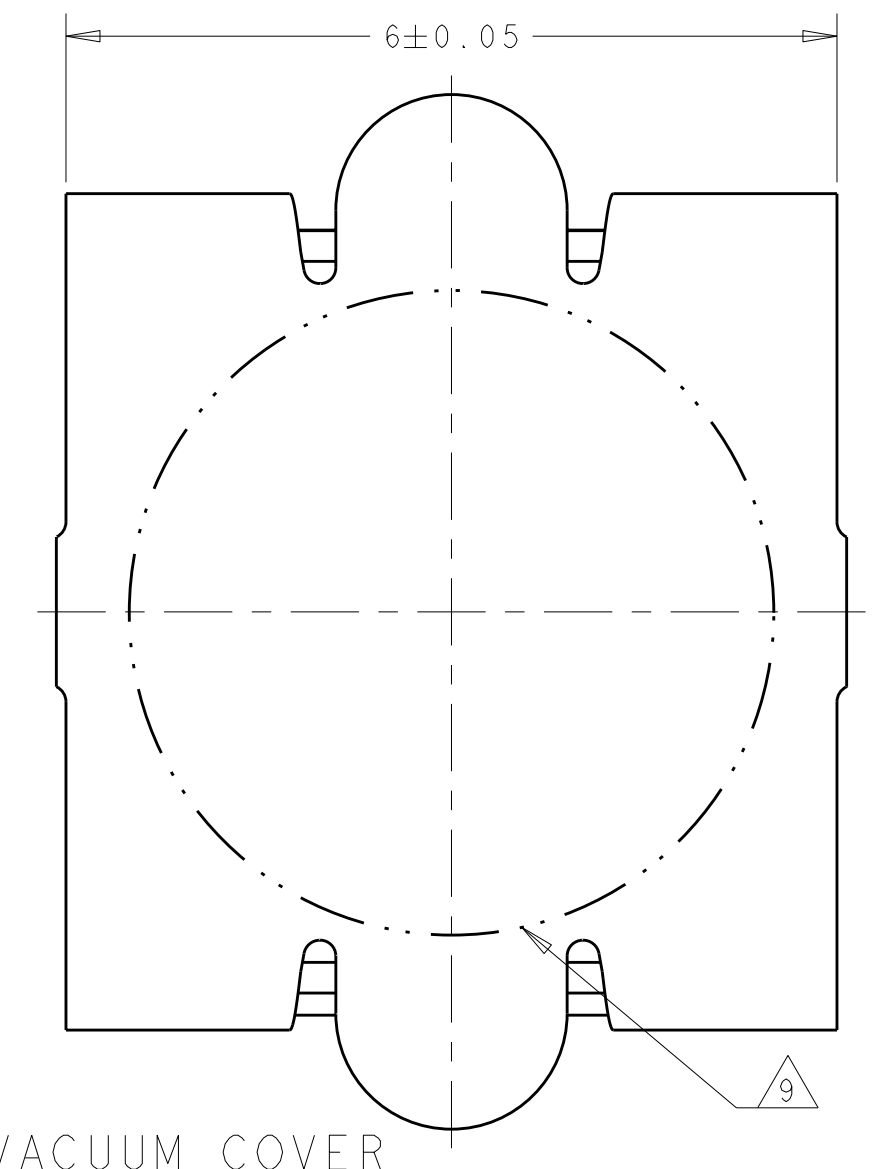
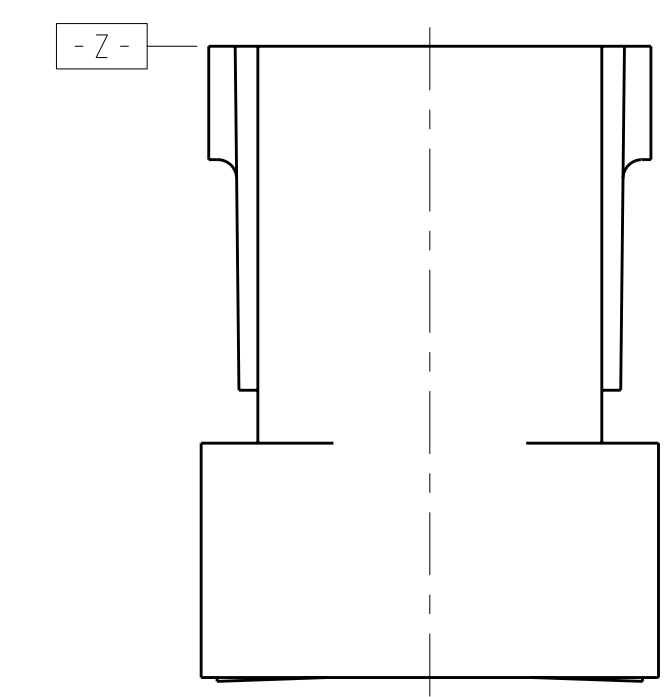
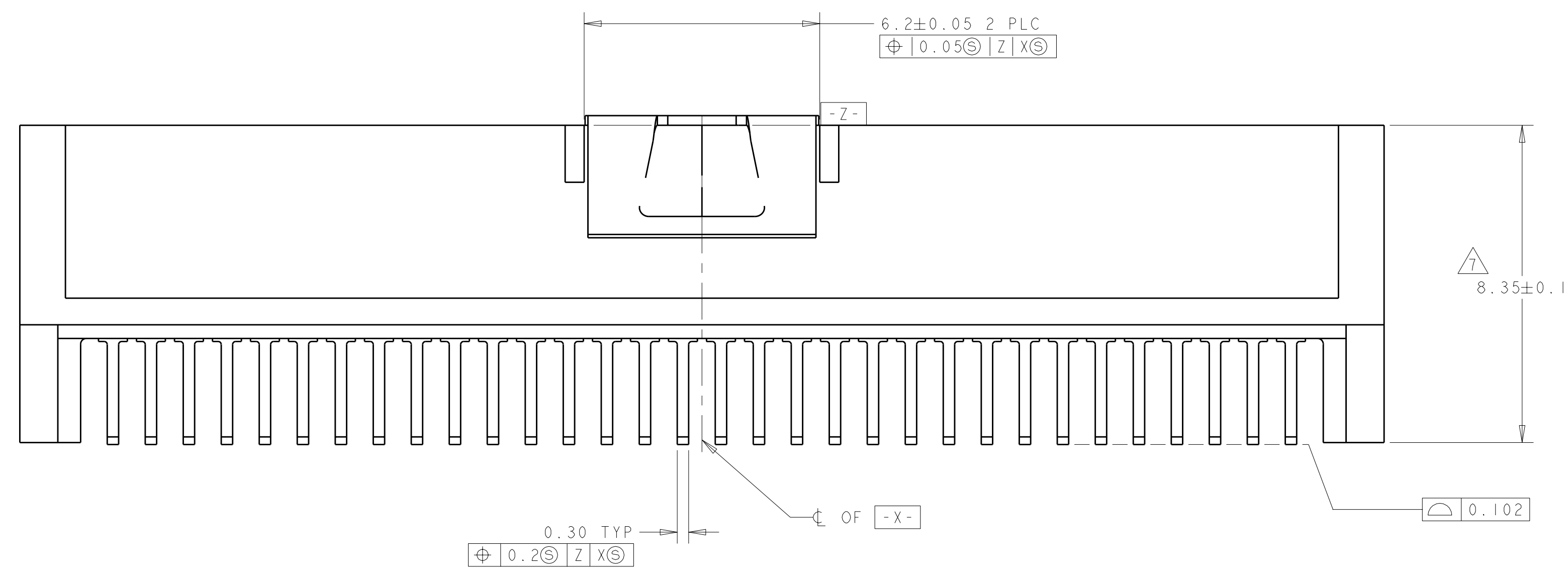
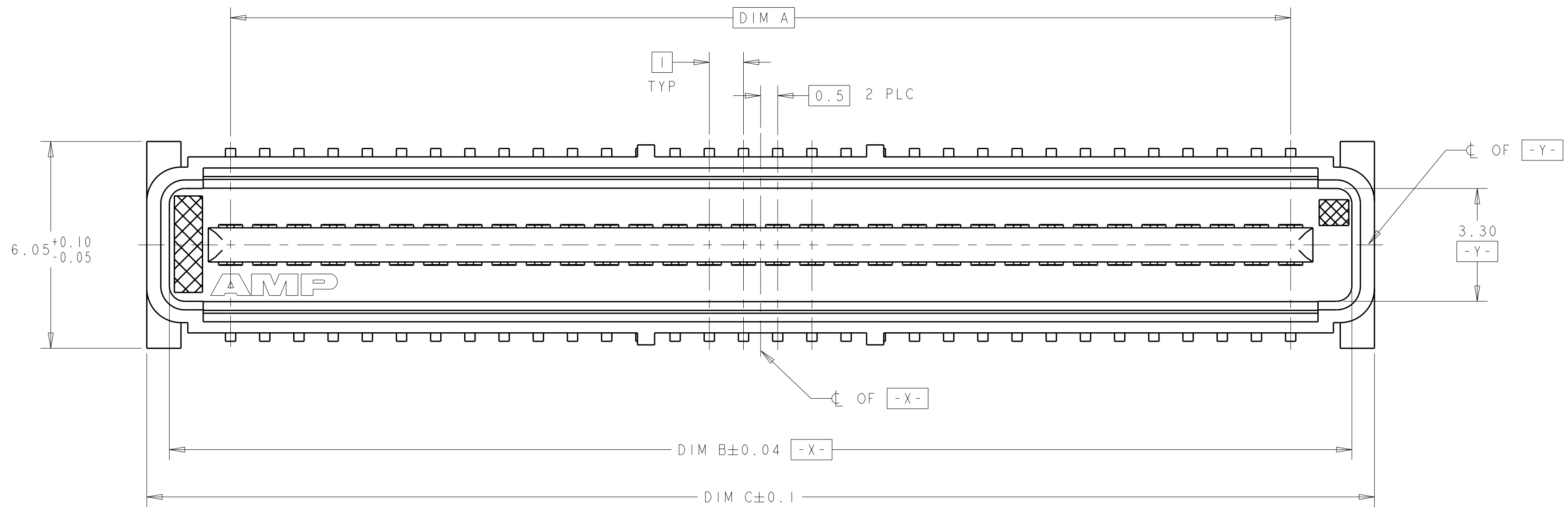


LOC	DIST	REV	DATE	BY	CHK	APPV
AD	00	B1	18MAR2011	RK	HMR	



1. HOUSING MATERIAL: LIQUID CRYSTAL POLYMER COLOR: BLACK. CONTACT MATERIAL: PHOSPHOR BRONZE.
2. CONTACT FINISH: NICKEL UNDERPLATE ALL OVER, MATING SURFACES PLATED TO MEET PLI PERFORMANCE REQUIREMENTS OF INDUSTRY SPECIFICATION EIA-700AAAB, SOLDER TAILS PLATED TIN.
3. DATUM LOCATIONS AND BASIC DIMENSIONS TO BE ESTABLISHED BY THE CUSTOMER. CONSULT AMP ENGINEERING WHEN PLACING MULTIPLE CONNECTORS ON A PC BOARD.
4. PACKAGED IN TAPE ON REEL PER EIA-481.
5. VACUUM COVER DESIGNED FOR 4mm DIA. NOZZLE. VACUUM COVER TO BE REMOVED AFTER SOLDERING. VACUUM COVER REMOVED FROM SOME VIEWS FOR DIMENSIONAL CLARITY.
6. SHORTER SOLDER LANDS MAY BE USED PER EIA 700AAAB, HOWEVER 2.7 LENGTH ASSURES OPTIMUM SOLDER FILLET REGARDLESS OF MANUFACTURER OF CONNECTOR.
7. REFERRED TO AS DIM N IN EIA 700AAAB SPECIFICATION.
8. CORRUGATED REEL, HOLDS 400 CONNECTORS PER REEL 330.2[13.00] DIA REEL; 88.9[3.50] REEL CORE. PLASTIC REEL, HOLDS 250 CONNECTORS PER REEL 330.2[13.00] DIA REEL; 177.8[7.00] REEL CORE.
9. 5.5 MIN DIAMETER TARGET AREA FOR VACUUM PICK-UP.
10. CONTACT FINISH: 0.00381 MINIMUM MATTE TIN PER ASTM B 545 ON SOLDER AREA, 0.00127 MINIMUM GOLD PER ASTM B 488 ON MATING AREA, BOTH OVER 0.00127 MINIMUM NICKEL PER SAE-AMS-QQ-N-290 ON ENTIRE CONTACT.

FINISH	REEL QTY	DIM C	DIM B	DIM A	MATING CONNECTOR	STACK HEIGHTS	POS	PART NUMBER
△0	△8 400	45.9	44.58	41	120531-2	15	84	1-5120534-2
△0	△8 400	45.9	44.58	41	120530-2	13	84	1-5120534-2
△0	△8 400	45.9	44.58	41	120529-2	12	84	1-5120534-2
△0	△8 400	45.9	44.58	41	120528-2	10	84	1-5120534-2
△0	△8 400	35.9	34.58	31	120531-1	15	64	1-5120534-1
△0	△8 400	35.9	34.58	31	120530-1	13	64	1-5120534-1
△0	△8 400	35.9	34.58	31	120529-1	12	64	1-5120534-1
△0	△8 400	35.9	34.58	31	120528-1	10	64	1-5120534-1
OBSOLETE	△2 250	35.9	34.58	31	120531-1	15	64	5120534-3
OBSOLETE	△2 250	35.9	34.58	31	120530-1	13	64	5120534-3
OBSOLETE	△2 250	35.9	34.58	31	120529-1	12	64	5120534-3
OBSOLETE	△2 250	35.9	34.58	31	120528-1	10	64	5120534-3
△2	△8 400	45.9	44.58	41	120531-2	15	84	5120534-2
△2	△8 400	45.9	44.58	41	120530-2	13	84	5120534-2
△2	△8 400	45.9	44.58	41	120529-2	12	84	5120534-2
△2	△8 400	45.9	44.58	41	120528-2	10	84	5120534-2
△2	△8 400	35.9	34.58	31	120531-1	15	64	5120534-1
△2	△8 400	35.9	34.58	31	120530-1	13	64	5120534-1
△2	△8 400	35.9	34.58	31	120529-1	12	64	5120534-1
△2	△8 400	35.9	34.58	31	120528-1	10	64	5120534-1

THIS DRAWING IS A CONTROLLED DOCUMENT.

AW: B. CARBO 30SEP04  
 CR: R. WERTZ 30SEP04  
 APV: R. WERTZ 30SEP04

TE Connectivity

PLUG ASSY, W/COVER  
 1.0mm FH(IEEE1386) CONNECTOR

SIZE: CAGE CODE: DRAWING NO: A100779C-5120534

SCALE: 17:1 SHEET 1 OF 1 REV: B1

单击下面可查看定价，库存，交付和生命周期等信息

[>>TE Connectivity\(泰科\)](#)