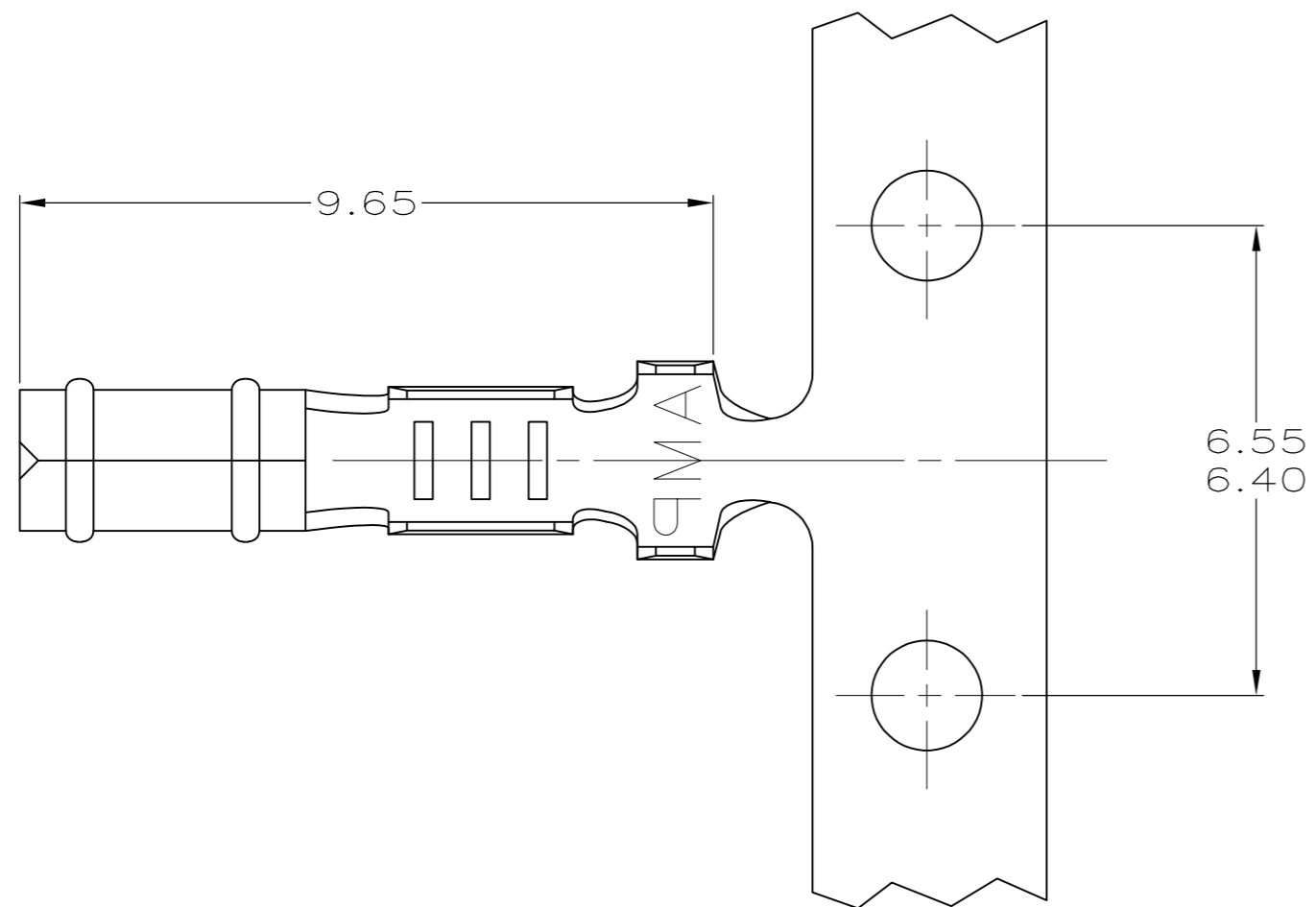


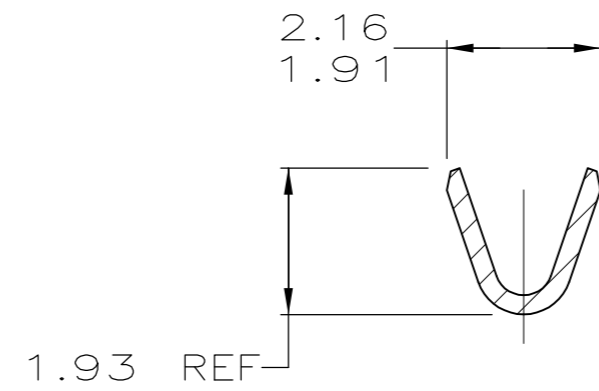
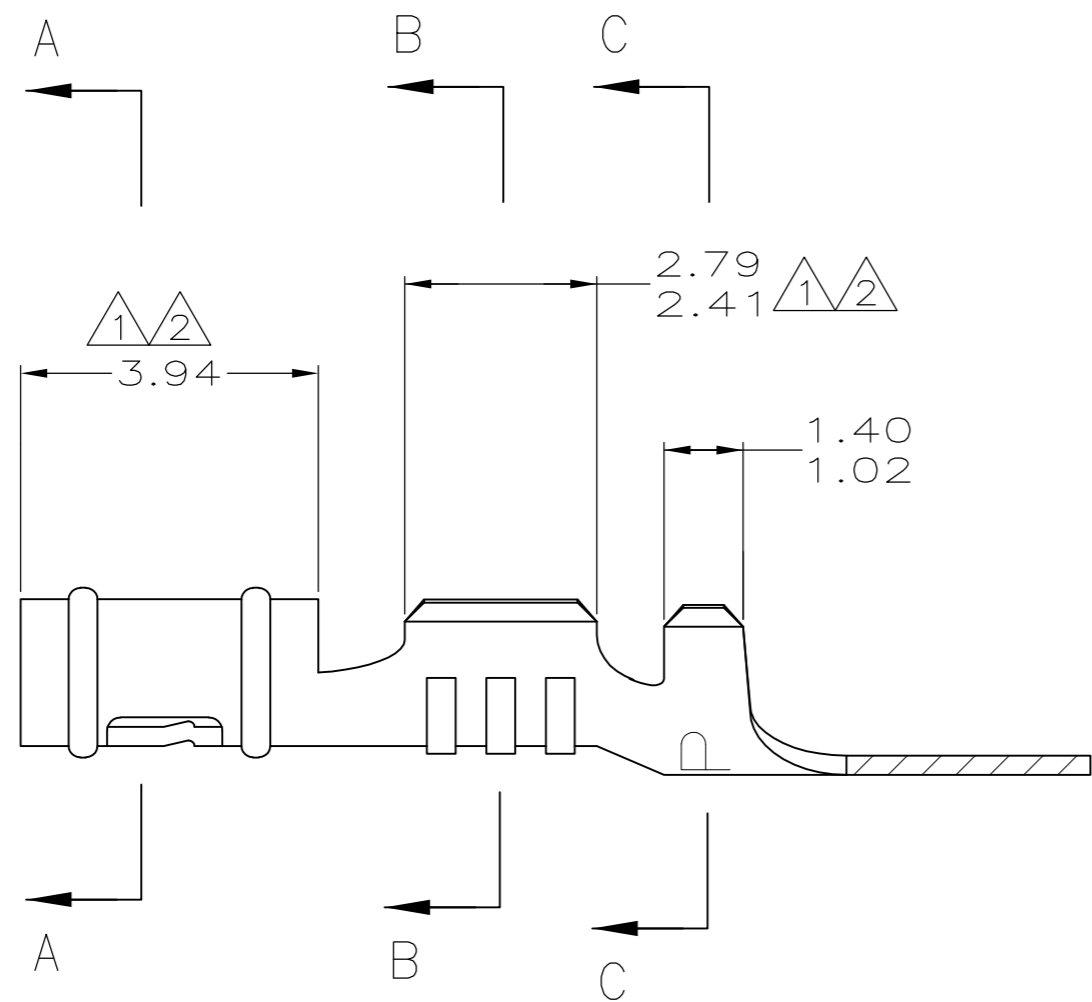
THIS DRAWING IS UNPUBLISHED. RELEASED FOR PUBLICATION
 © COPYRIGHT - By - ALL RIGHTS RESERVED.

LOC		DIST		REVISIONS			
P	LTR	DESCRIPTION		DATE	DWN	APVD	
CM	52	AH1	REVISED PER ECO-11-004917	11MAR11	RK	HMR	

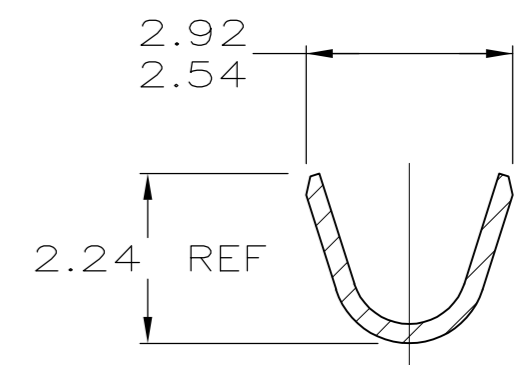
- ① 0.00038 MIN SELECTIVE GOLD PLATING ON INSIDE OF RECEPTACLE AND WIRE BARREL OVER NICKEL OVER ALL UNDERPLATE.
- ② 0.00076 MIN SELECTIVE GOLD PLATING ON INSIDE OF RECEPTACLE AND WIRE BARREL OVER NICKEL OVER ALL UNDERPLATE.
- 3. WIRE RANGE: 0.2 - 0.6 MM² (24 - 20 AWG)
- 4. INSULATION RANGE: 1.14 - 1.78
- ⑤ REVERSED REELED.



SECTION A-A



SECTION B-B



SECTION C-C

⑤	①	0.25 BE CU	60598-9
⑤	①	0.25 BE CU	60598-8
⑤	②	0.25 PH BRZ	60598-7
⑤	②	0.25 PH BRZ	60598-5
		MATTE TIN	0.25 BE CU
		PRE-TIN	0.25 PH BRZ
⑤		MATTE TIN	0.25 BE CU
⑤		PRE-TIN	0.25 PH BRZ
		FINISH	MATERIAL
			PART NUMBER

1.14	.045	1.91	.075	2.79	.110	-	-
1.02	.040	1.78	.070	2.54	.100	9.65	.380
0.25	.010	1.486	.0585	2.41	.095	6.55	.258
0.13	.005	1.47	.058	2.24	.088	6.40	.252
0.00076	.000030	1.40	.055	2.16	.085	3.94	.155
0.00038	.000015	1.359	.0535	1.93	.076	2.92	.115
MM	IN	MM	IN	MM	IN	MM	IN

CONVERSION TABLE

METRIC

THIS DRAWING IS A CONTROLLED DOCUMENT.

DIMENSIONS: mm	TOLERANCES UNLESS OTHERWISE SPECIFIED:	DWN T. BECK 5-08-97	
		CHK R. SWING 5-08-97	
		APVD A. BEDDICK 8-22-97	TE Connectivity
		MATERIAL SEE TABLE	NAME RECEPTACLE, .058 DIAMETER, 24-20 AWG, .045-.070 INSULATION, P.C. CONTACT
		FINISH SEE TABLE	SIZE A2 CAGE CODE 00779 DRAWING NO C-60598 SHEET 1 OF 1
			RESTRICTED TO -
			SCALE 10:1 REV AH1

单击下面可查看定价，库存，交付和生命周期等信息

[>>TE Connectivity\(泰科\)](#)