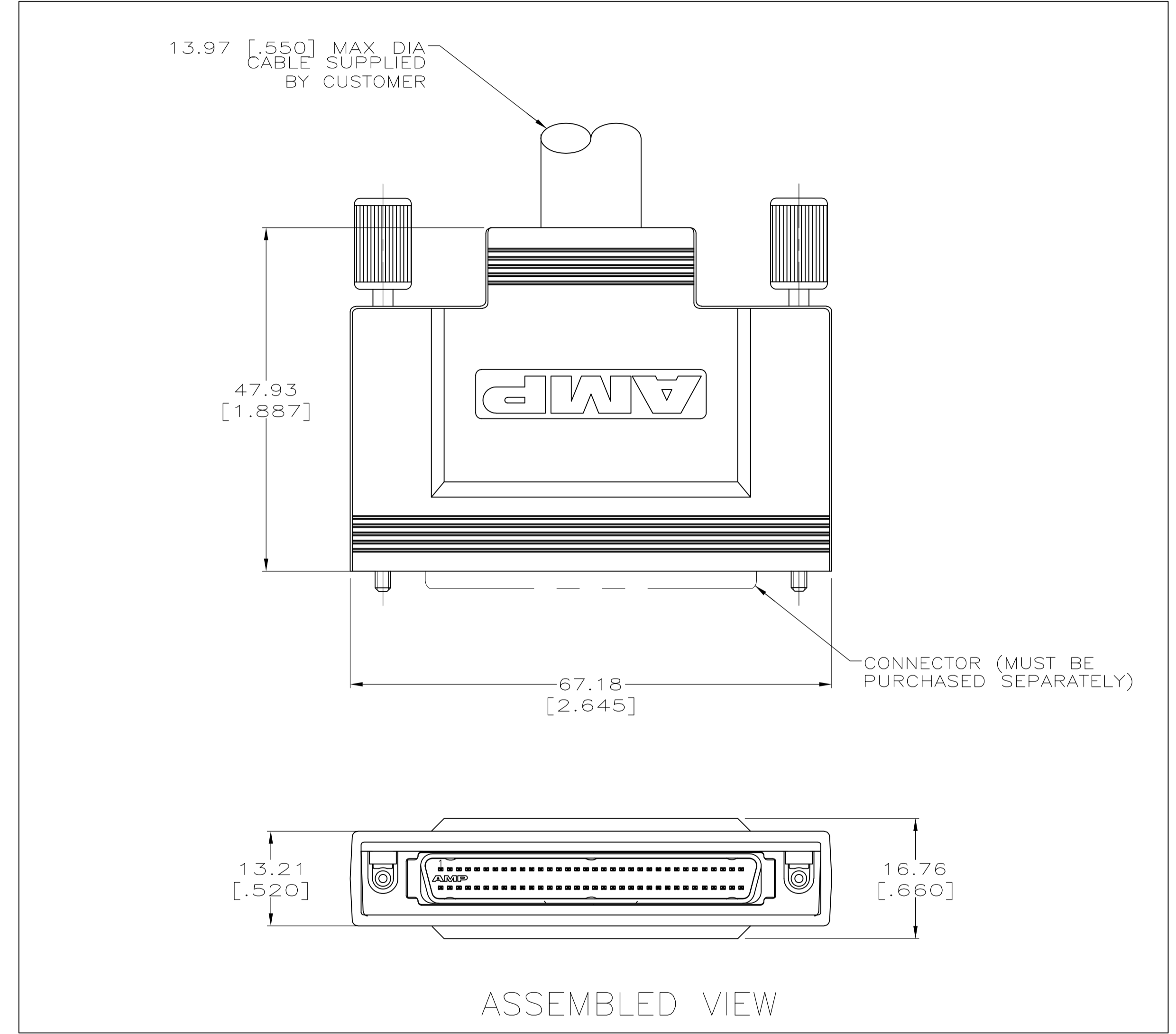
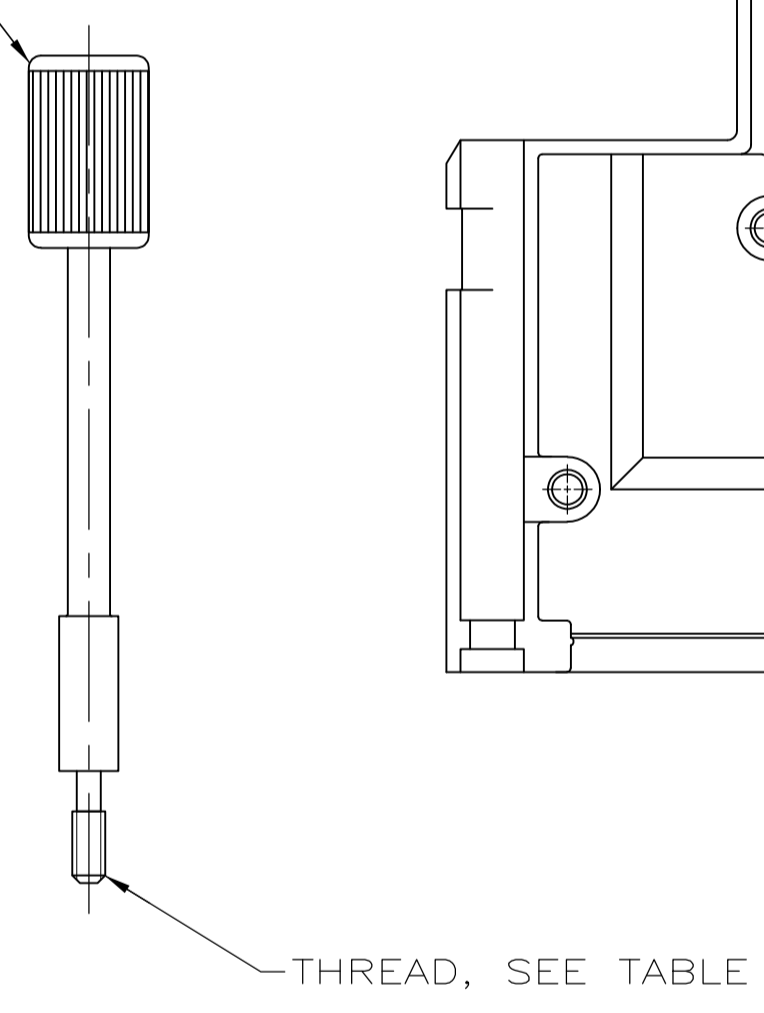
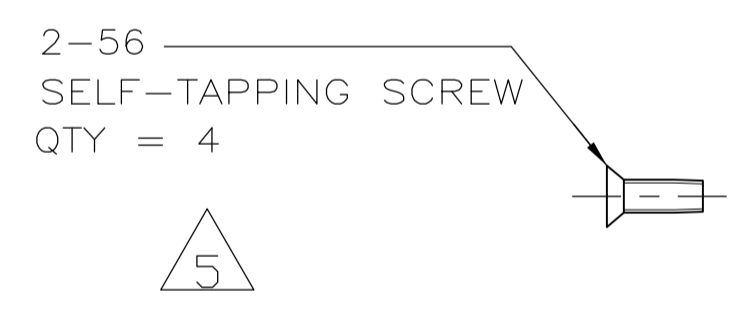
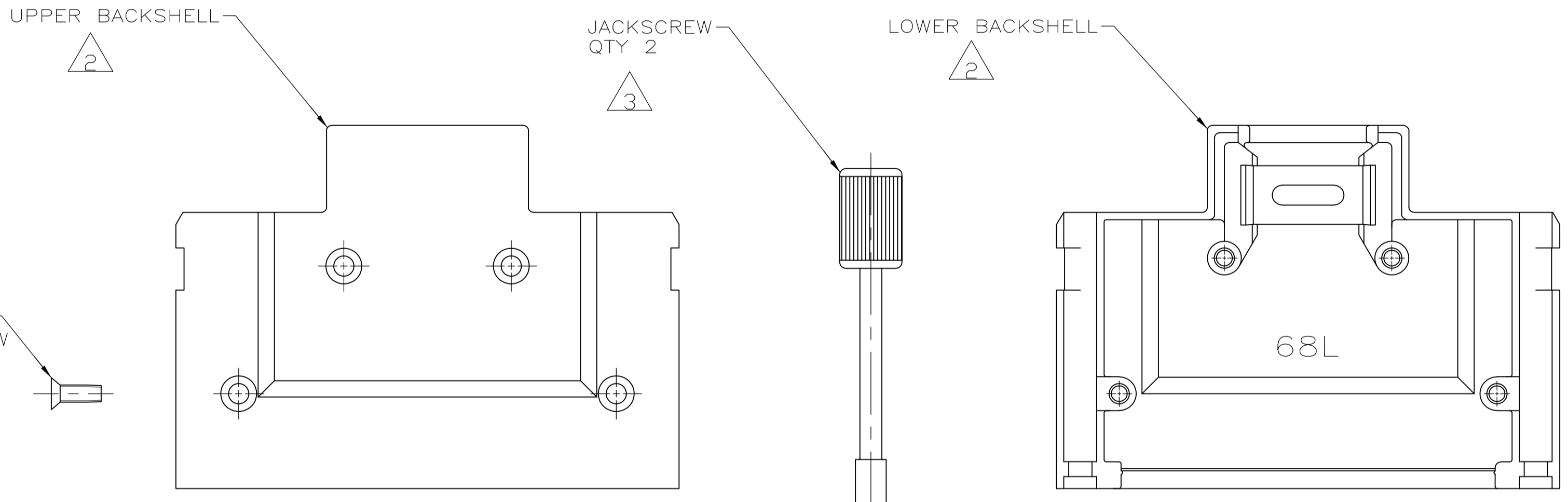
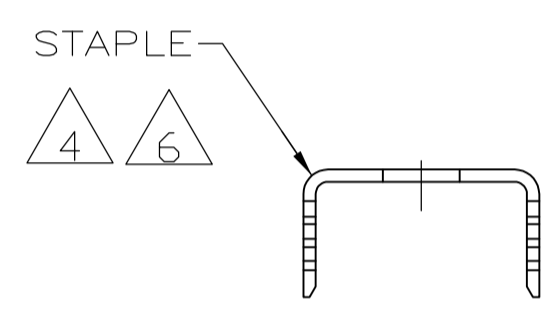
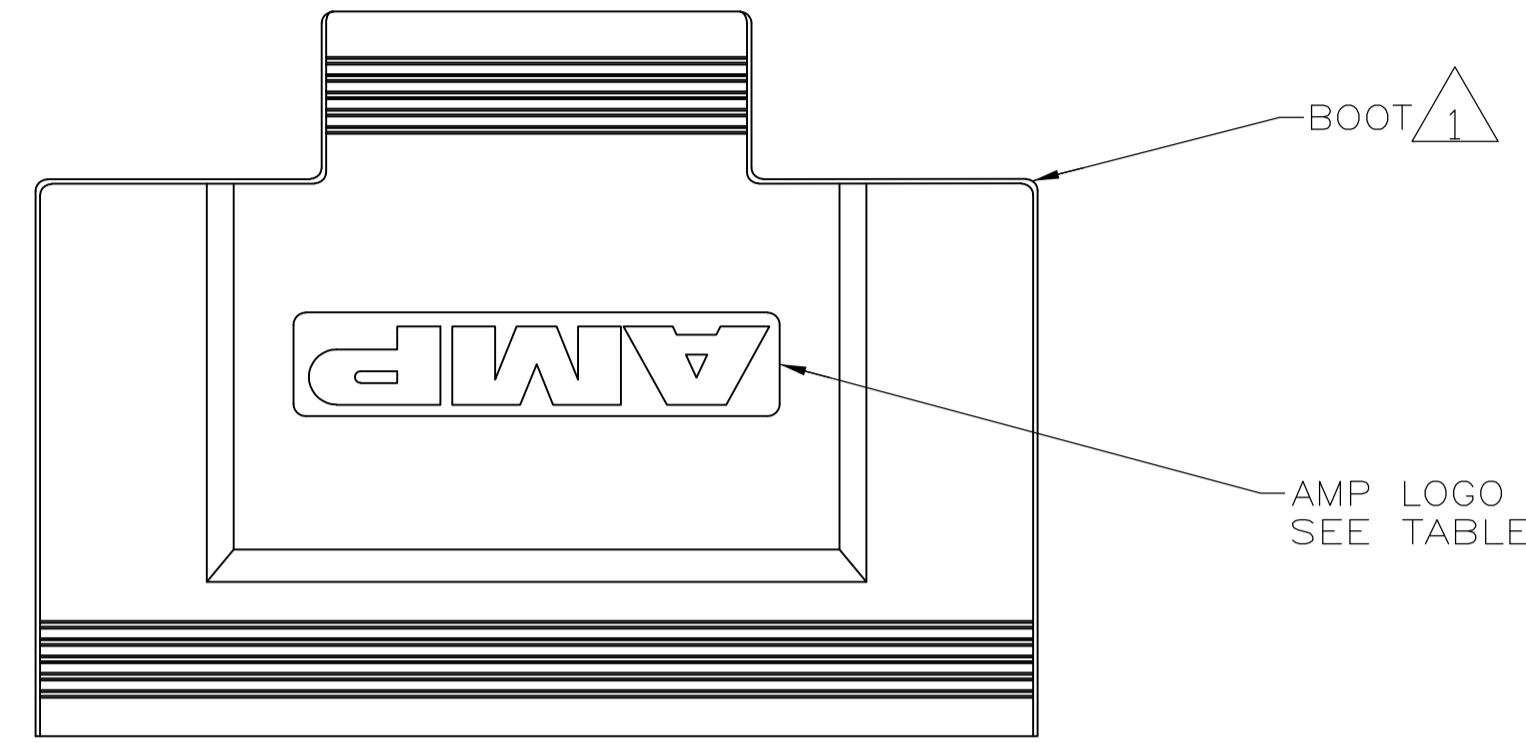


REVISIONS				
P	LTR	DESCRIPTION	DATE	APP'D
C		REVISED PER ECO-16-005483	13APR2016	AP DG



- 1 PVC, BLACK.
- 2 ZINC.
- 3 STAINLESS STEEL
- 4 CARBON STEEL.
- 5 STAINLESS STEEL.
- 6 1.27µm [.000050] MIN BRIGHT TIN OVER 1.27µm [.000050] MIN NICKEL.
- 7 PARTS INDIVIDUAL BULK PACKAGED.
- 8 PARTS PACKAGED AS A UNIT KIT.
- 9 OBSOLETE PARTS: OBSOLETE CIS STREAMLINING PER D.RENAUD/D.SINISI

OBSOLETE	NO	YES	2-56	7	5750752-5
9	YES	YES	2-56	8	5750752-4
	NO	NO	2-56	7	5750752-3
	YES	YES	4-40	8	5750752-2
	YES	YES	2-56	7	5750752-1
	AMP LOGO	BOOT	JACKSCREW THREAD		PART NUMBER

**COPYRIGHT 2005
TYCO ELECTRONICS CORP
ALL RIGHTS RESERVED**

THIS DRAWING IS A CONTROLLED DOCUMENT. DIMENSIONING AND TOLERANCING PER ASME Y14.5M-2009

DIMENSIONS: INCHES	TOLERANCES UNLESS OTHERWISE SPECIFIED:	0. PLC ± -	1. PLC ± -	2. PLC ± .5[.020]	3. PLC ± -	4. PLC ± -	ANGLES ± -	MATERIAL -	FINISH -
--------------------	--	------------	------------	-------------------	------------	------------	------------	------------	----------

APPROVED: G. PETERS	DATE: 26AUG05	DESIGNED: S. SHUEY	DATE: 26AUG05
APPROVED: M. WALMSLEY	DATE: 26AUG05	NAME: M. WALMSLEY	DATE: 26AUG05

STE TE Connectivity

BACKSHELL KIT, UNASSEMBLED, 68 POSN, AMPLIMITE .050 Series

SIZE: A1	CAGE CODE: 00779	DRAWING NO: 5750752	RESTRICTED TO: -
WEIGHT: 0.000000	SCALE: 1:1	SHEET: 1 OF 1	REV: C

CUSTOMER DRAWING

单击下面可查看定价，库存，交付和生命周期等信息

[>>TE Connectivity\(泰科\)](#)