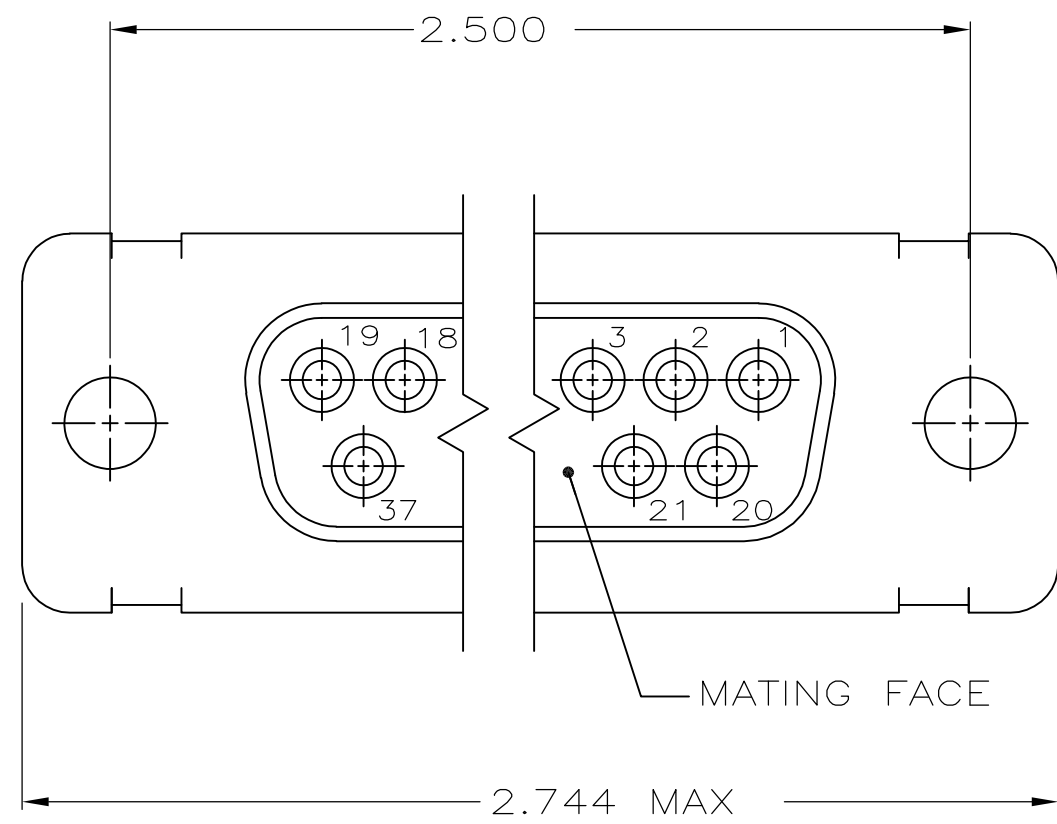


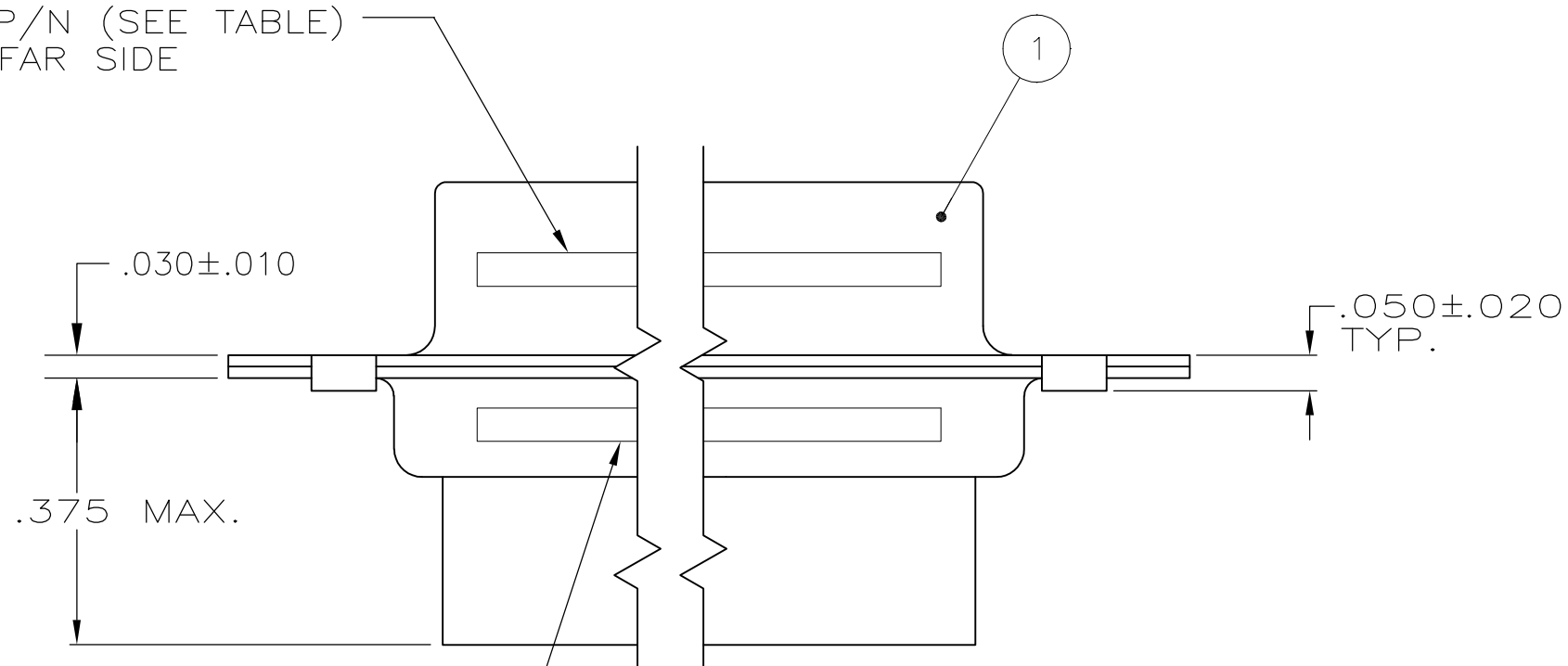
THIS DRAWING IS UNPUBLISHED. RELEASED FOR PUBLICATION
 © COPYRIGHT - By - ALL RIGHTS RESERVED.

LOC		DIST		REVISIONS			
P	LTR	DESCRIPTION	DATE	DWN	APVD		
	H1	REVISED PER ECO-11-005030	11MAR11	RK	HMR		

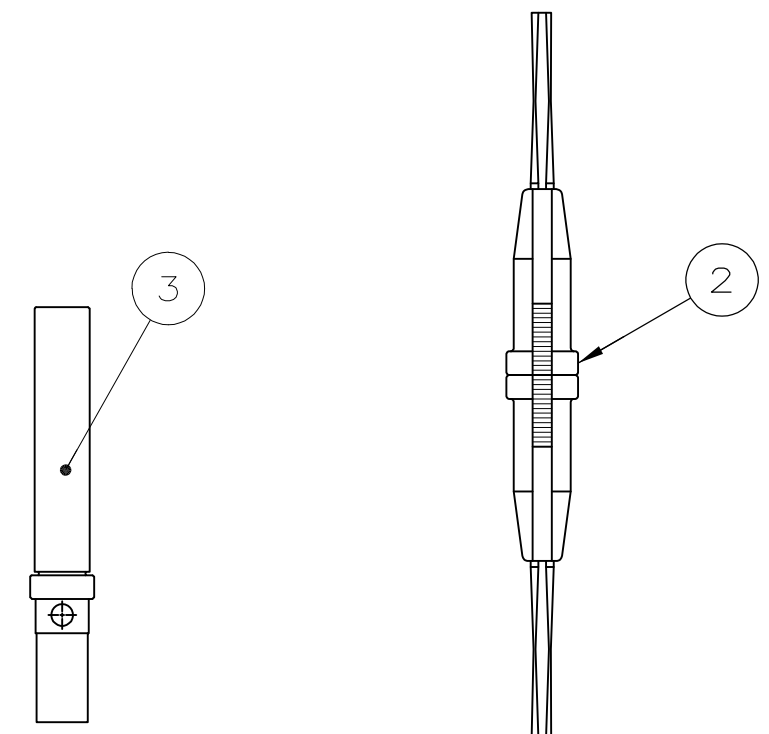
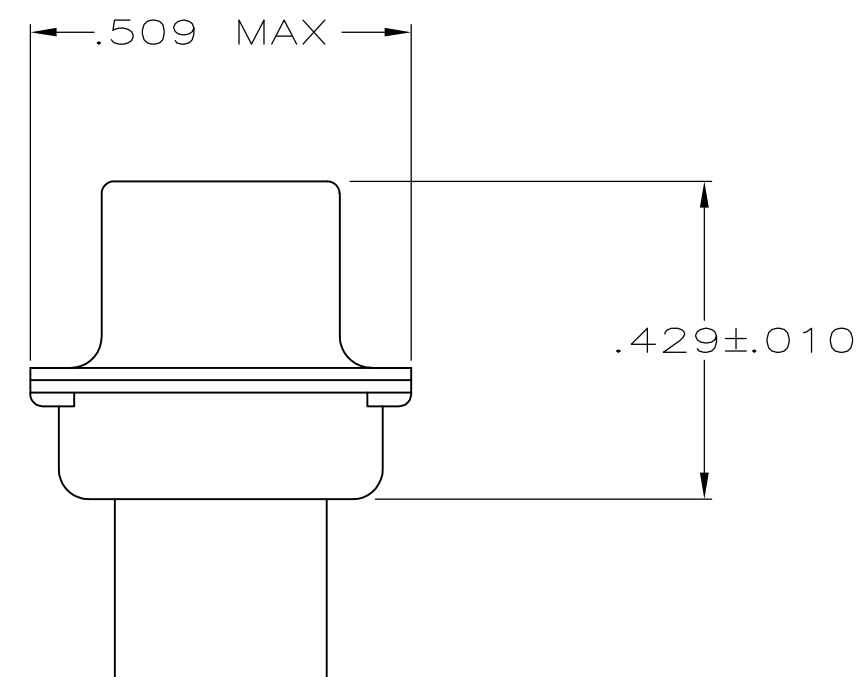


1 FOR CONNECTOR ASSEMBLIES, TE CONNECTIVITY CONTACT PART NOS. 205090-1 MUST BE ORDERED SEPARATELY. CONNECTORS WITH CONTACTS ARE SUPPLIED WITH CONTACT 205090-1

MILITARY P/N (SEE TABLE) MARKED, FAR SIDE



MFG'S NAME, BRAND OR LOGO AND DATE CODE MARKED, FAR SIDE



SUPERSEDED BY 206803-2 & 206793-1 & 91067-2	205561-5	M24308/6-9F	205090-1	91067-2	205167-2	205561-5
SUPERSEDED BY 206803-2 AND 206793-1	205561-4	M24308/6-4F	205090-1	-	205167-2	205561-4
	205561-3	M24308/2-9F	205090-1	91067-2	205167-1	205561-3
	205561-2	M24308/2-4F	205090-1	-	205167-1	205561-2
SUPERSEDED BY 205167-1 AND 91067-2	205561-1	-	-	91067-2	205167-1	205561-1
TE CONNECTIVITY P/N MARKED ON PACKAGE	MILITARY P/N MARKED ON PACKAGE	SOCKET CONTACT QTY. = 37	INSERTION/EXTRACTION TOOL QTY. = 1	RECEPTACLE ASSY QTY. = 1	PART NUMBER	

THIS DRAWING IS A CONTROLLED DOCUMENT.

DWN P. YEAGER 10MAR09		KIT, HDM SERIES		
CHK R. LEASE 12MAR09		RECEPTACLE, SIZE 4, 37 POSN		
APVD R. LEASE 12MAR09		SIZE A2	CAGE CODE 00779	DRAWING NO C-205561
PRODUCT SPEC		SCALE 4:1	SHEET 1 of 1	REV H1
APPLICATION SPEC	WEIGHT -	CUSTOMER DRAWING		
MATERIAL -	FINISH -			

单击下面可查看定价，库存，交付和生命周期等信息

[>>TE Connectivity\(泰科\)](#)