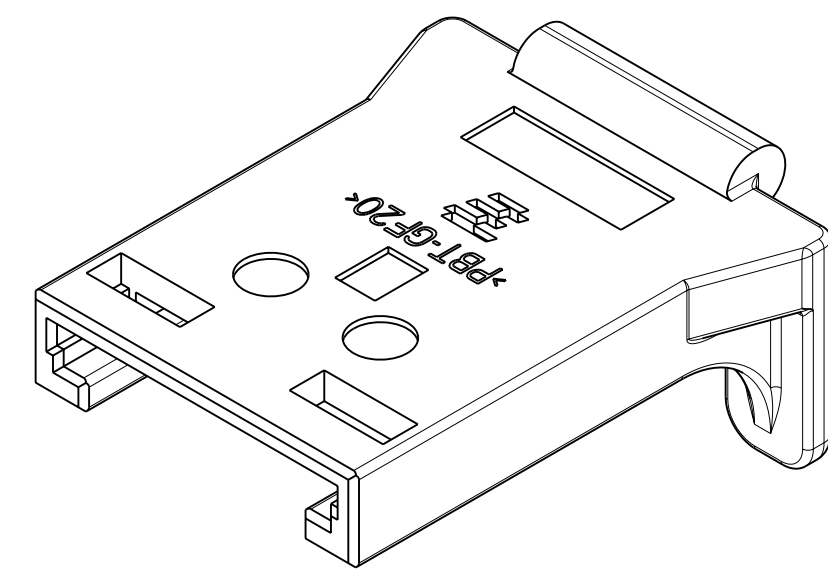
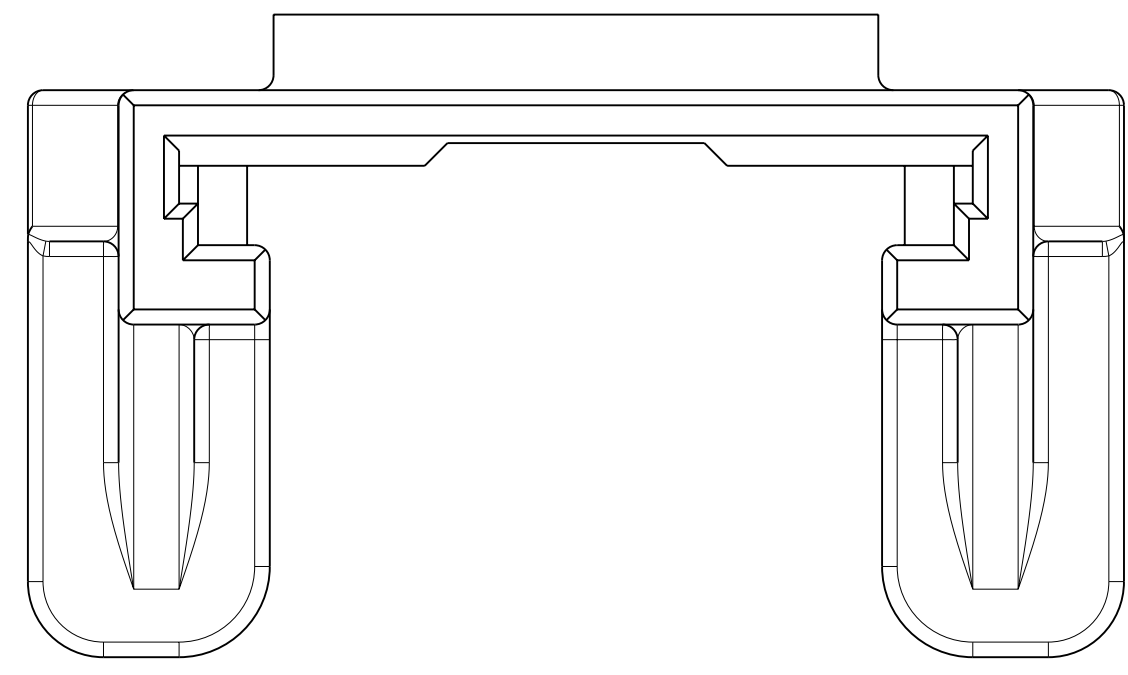
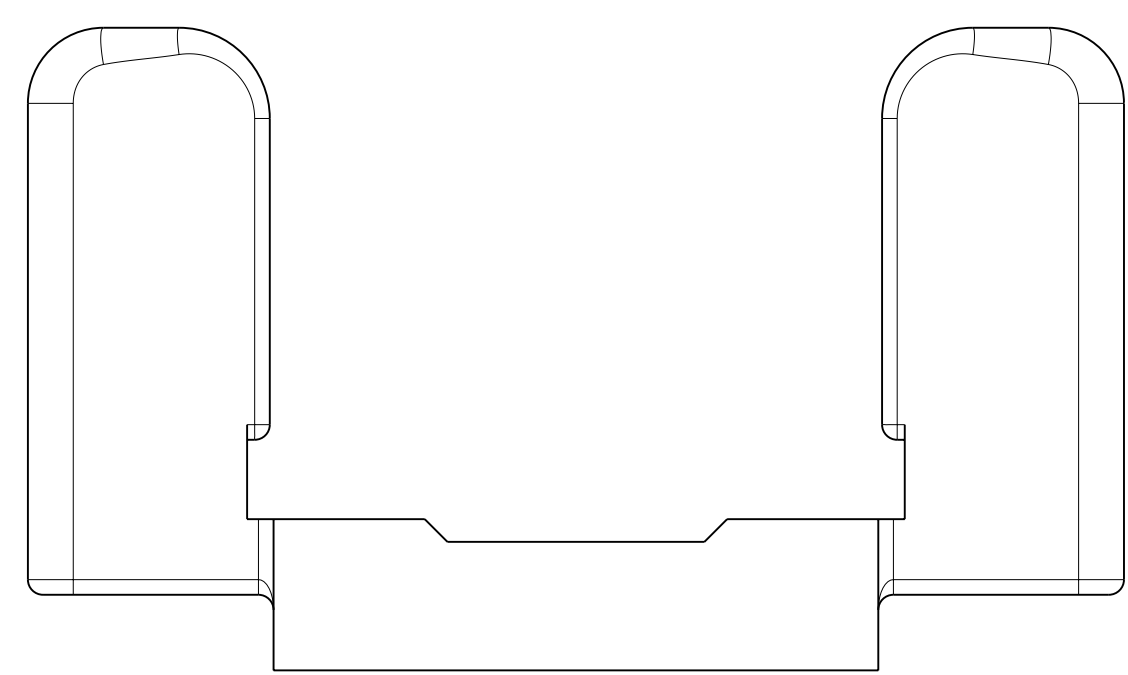
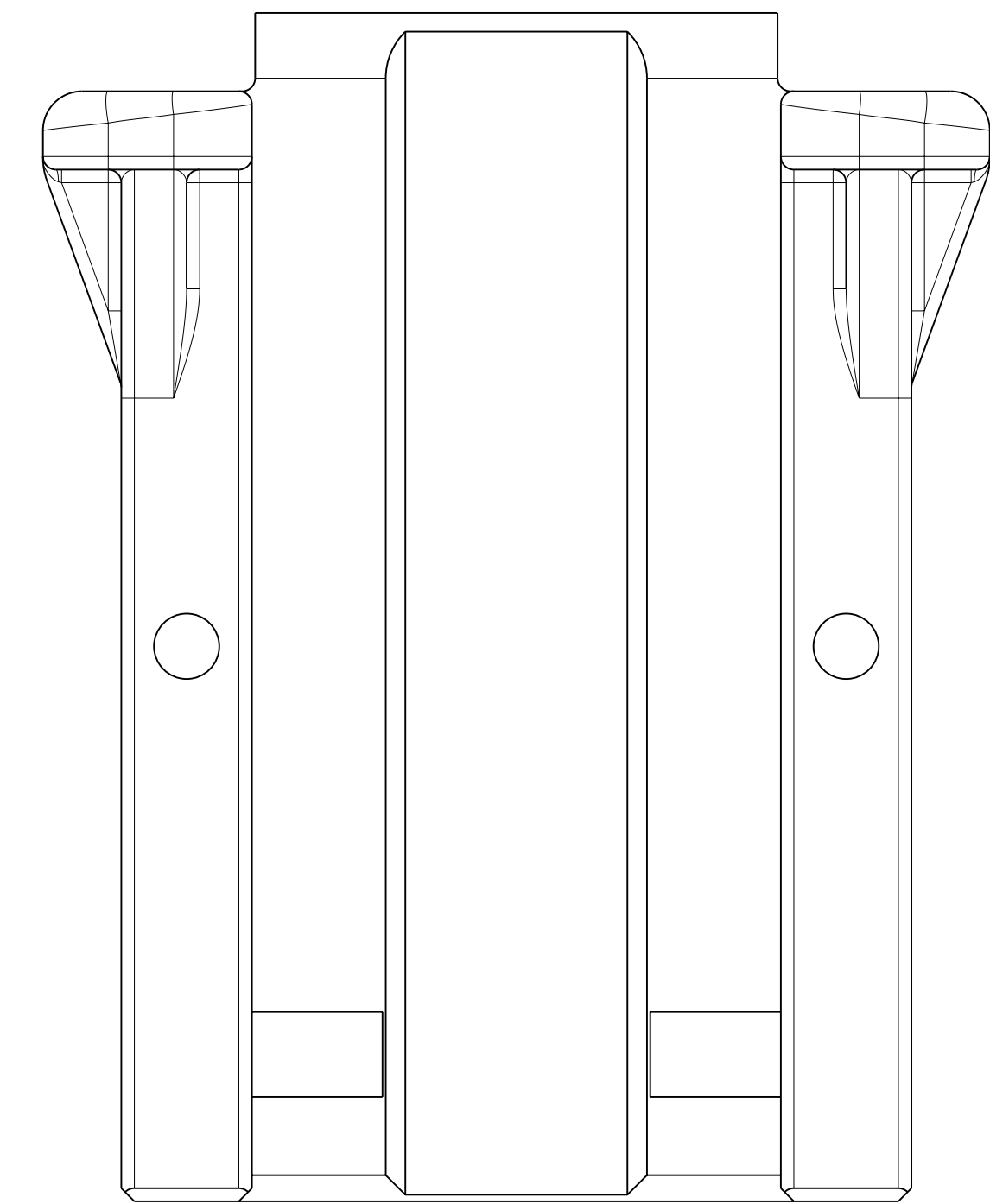
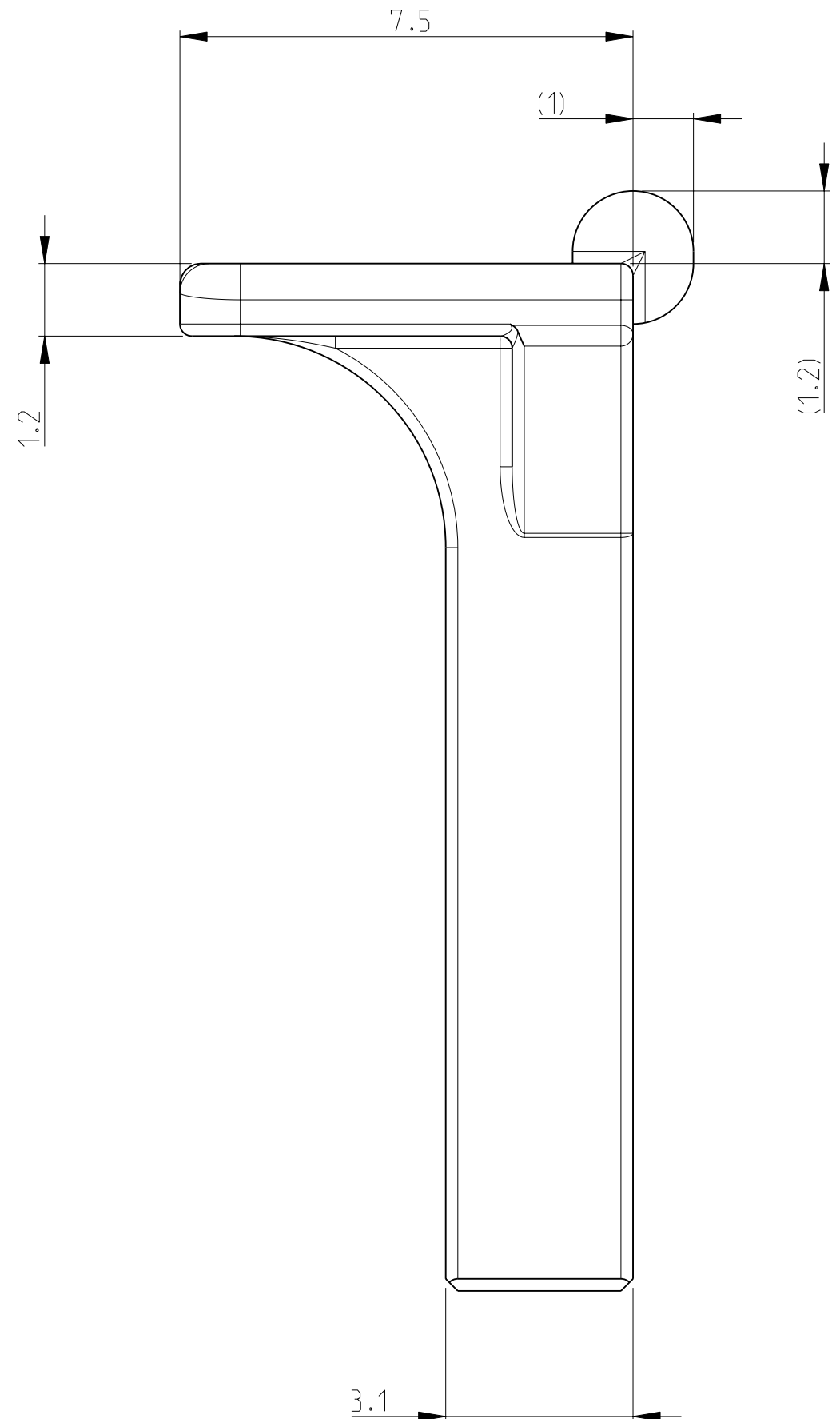
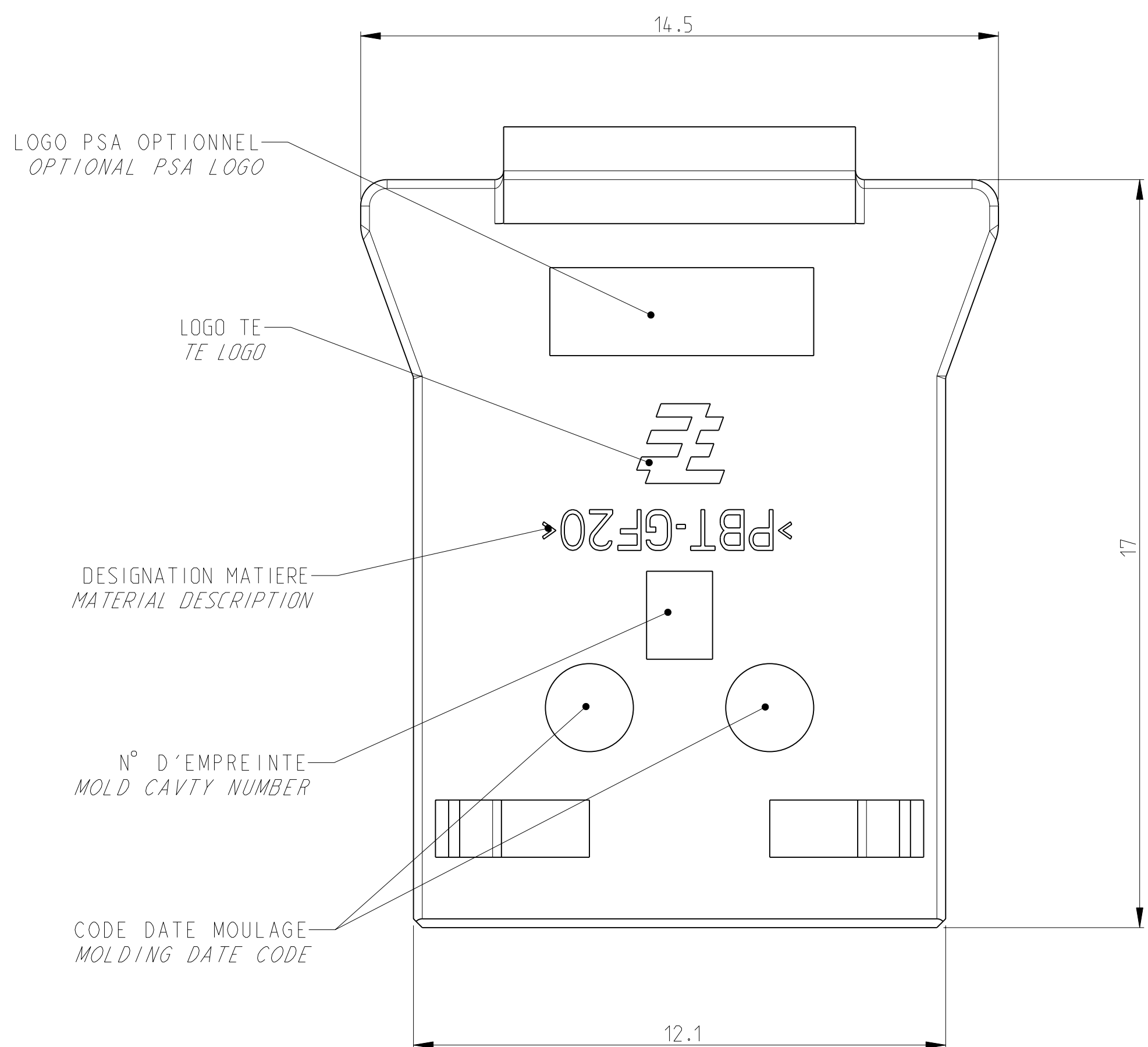


LOC	DIST	REV	DESCRIPTION	DATE	OWN	APP
F	00	A	CREATION	01JUL2009	NS	XR



ECHELLE 5:1  
SCALE



COMPOSANTS ASSOCIES MATING PARTS	
REF. TE TE PART NUMBER	DESIGNATION
185311-1	MODULE 6 VOIES MQS SOCKET HOUSING 6 POS MQS
953382-X	PORTE MODULE POUR PORTE CLIPS 6 V. MQS COVER FOR HSG 6 W MQS

953381-1 REPRESENTEE  
AS SHOWN

PBT 20% FV PBT GF20	NOIR BLACK	953381-1
MATIERE MATERIAL	COULEUR COLOR	REF TE TE PV

THIS DRAWING IS UNPUBLISHED. RELEASED FOR PUBLICATION DIVISION SECURITE AMP BY TYCO ELECTRONICS CORPORATION. ALL RIGHTS RESERVED. COPYRIGHT 2009 BY TYCO ELECTRONICS CORPORATION. ALL RIGHTS RESERVED.		DWN/DESIGNER: J. SIMON DATE: 01JUL2009 CDR/APPROVE: F. CHATELUS DATE: 02JUL2009		Tyco Electronics France SAS 95300 Pontoise, France	
DIMENSIONS: mm TOLERANCES UNLESS OTHERWISE SPECIFIED: DIMENSIONS: NO. DECIMALS ±0.2 ±0.1 ±0.05		NAME: X. COUILLARD PRODUCT SPEC: 108-15192 APPLICATION SPEC: 411-15608		CUSTOMER DRAWING / PLAN CLIENT UNDEMENT POUR REFERENCE SCALE: 10:1 SHEET: 1 OF 1 REV: A	
MATERIAL MATIERE: SEE TABLE / VOIR TABLEAU FINISH FINITION: -		WEIGHT MASSE APPROX.: 0.6 g SIZE FORMAT: A1 CAGE CODE: 00779 DRAWING NO: 953381		RESTRICTED TO RESERVE A	

单击下面可查看定价，库存，交付和生命周期等信息

[>>TE Connectivity\(泰科\)](#)