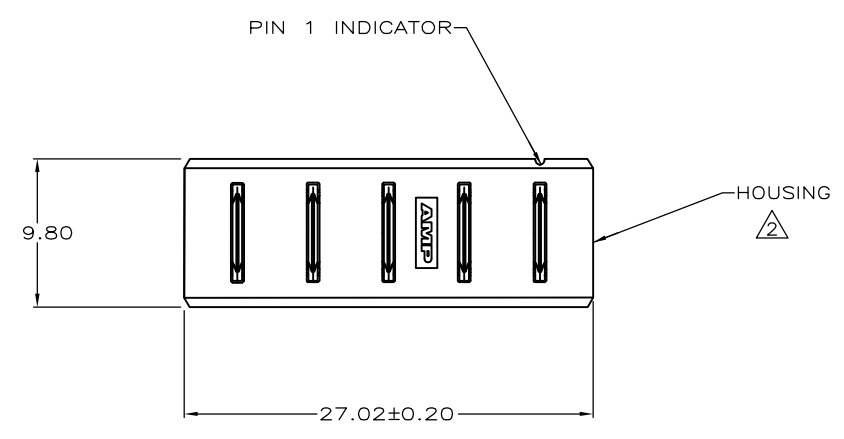
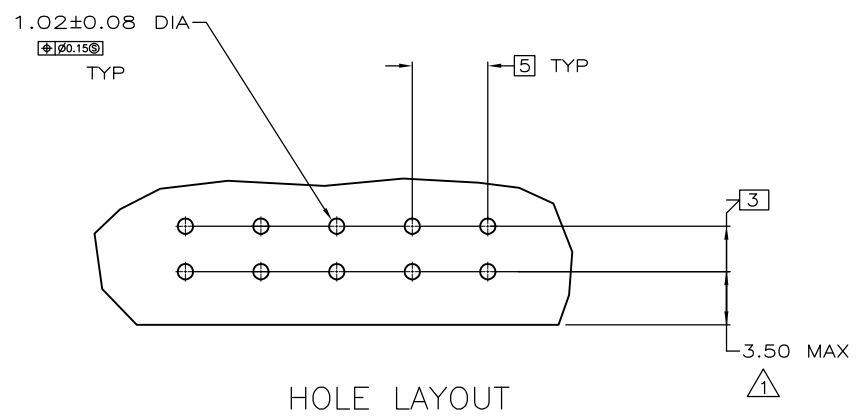
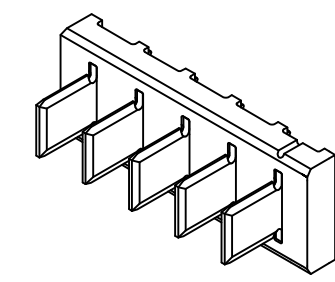
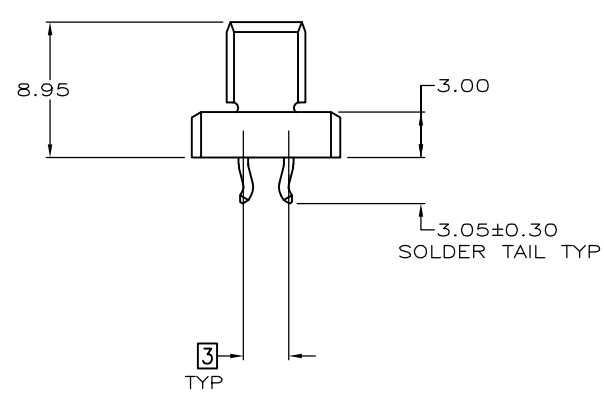
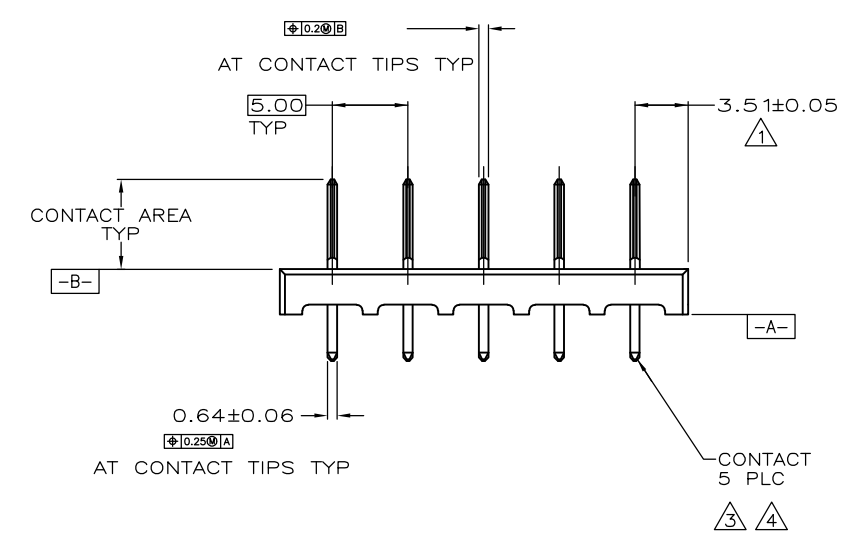


THIS DRAWING IS UNPUBLISHED. RELEASED FOR PUBLICATION
 © COPYRIGHT - By - ALL RIGHTS RESERVED.

LOC	DIST	REVISIONS					
ES	00	P	LTR	DESCRIPTION	DATE	DWN	APVD
			A1	REVISED PER ECO-11-005033	28MAR11	RK	HMR



- ① COORDINATE DIMENSION APPLIES FROM CENTER OF ACTUAL FEATURE.
- ② HOUSING: POLYPHTHALAMIDE, COLOR BLACK.
- ③ 2.54um MIN TIN ON SOLDER TAIL OVER 1.90um MIN NICKEL ALL OVER.
- ④ CONTACTS: BRASS



5787446-1
PART NO

THIS DRAWING IS A CONTROLLED DOCUMENT.		DWN S.KLINE 03-29-95	STE TE Connectivity					
DIMENSIONS: mm		CHK S.KLINE 03-30-95						
TOLERANCES UNLESS OTHERWISE SPECIFIED:		APVD S.KLINE 03-30-95	NAME					
0 PLC ± -	<table border="1"> <tr><td>1 PLC ± -</td></tr> <tr><td>2 PLC ± 0.13</td></tr> <tr><td>3 PLC ± -</td></tr> <tr><td>4 PLC ± -</td></tr> </table>	1 PLC ± -	2 PLC ± 0.13	3 PLC ± -	4 PLC ± -	PRODUCT SPEC	108-1501	
1 PLC ± -								
2 PLC ± 0.13								
3 PLC ± -								
4 PLC ± -								
1 PLC ± -	APPLICATION SPEC	114-24005						
2 PLC ± 0.13	FINISH	③						
3 PLC ± -		WEIGHT	-					
4 PLC ± -		CUSTOMER DRAWING						
ANGLES ± -		SCALE	2:1					
		SIZE	CAGE CODE	DRAWING NO				
		A3	00779	C-5787446				
		RESTRICTED TO		-				
		SHEET		1 OF 1				
		REV		A1				

单击下面可查看定价，库存，交付和生命周期等信息

[>>TE Connectivity\(泰科\)](#)