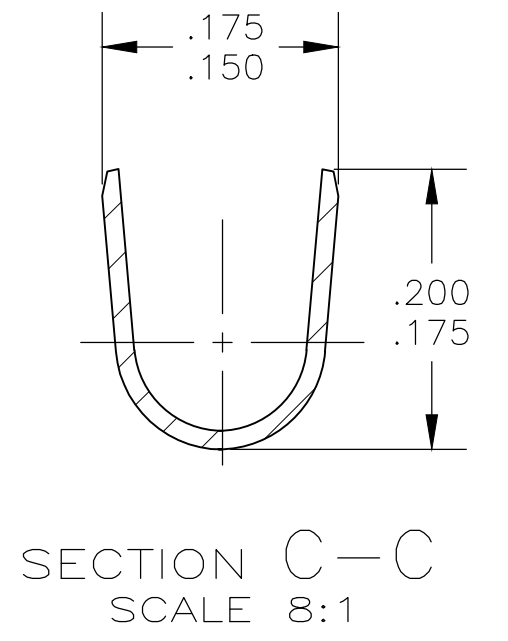
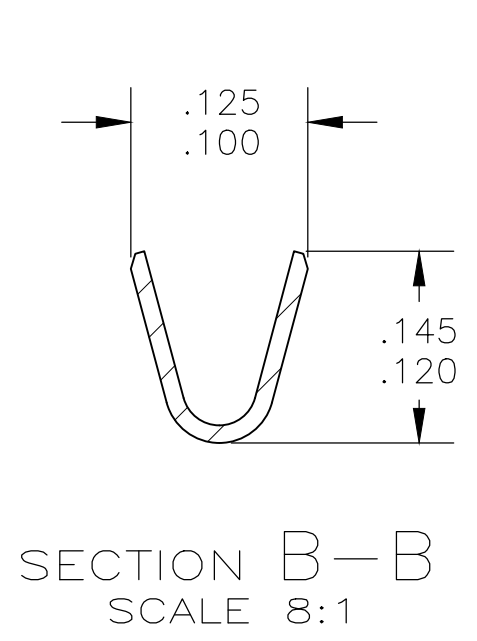
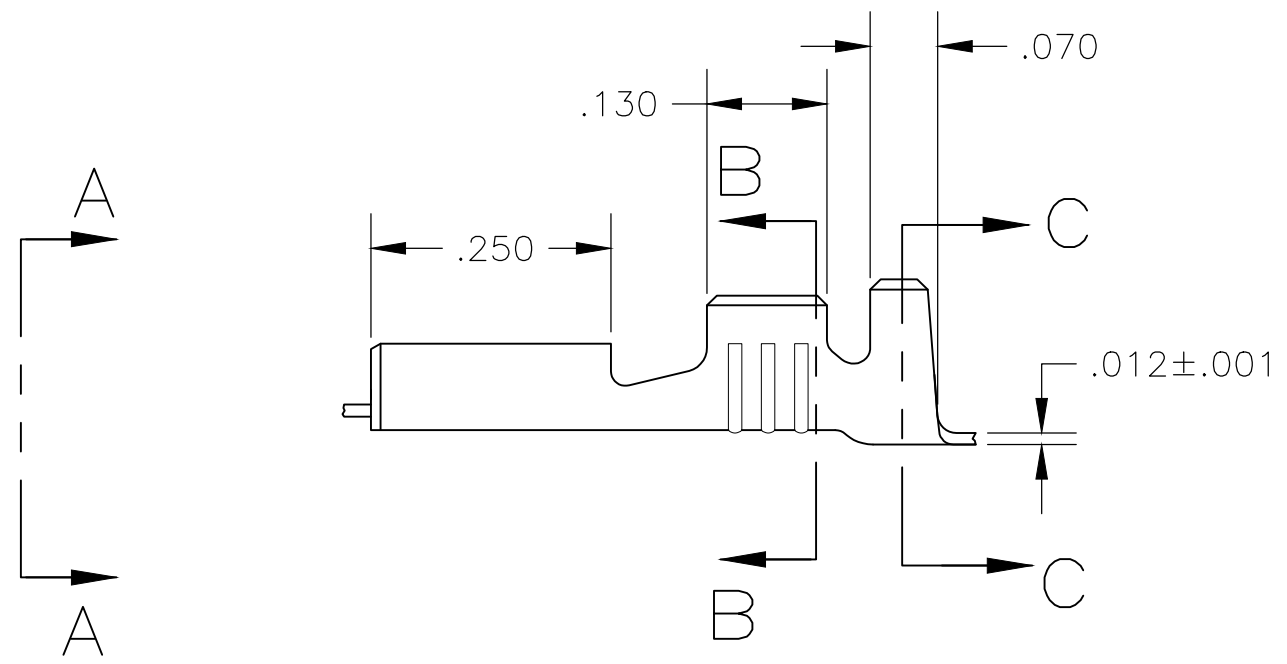
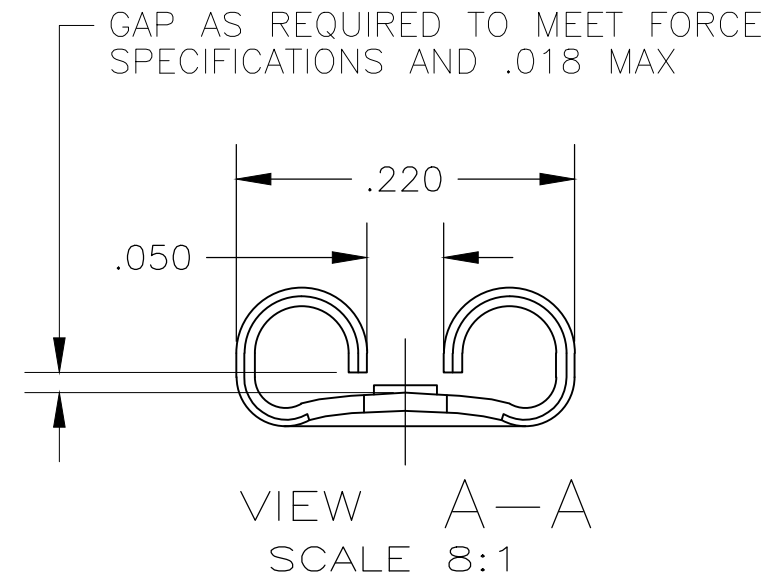
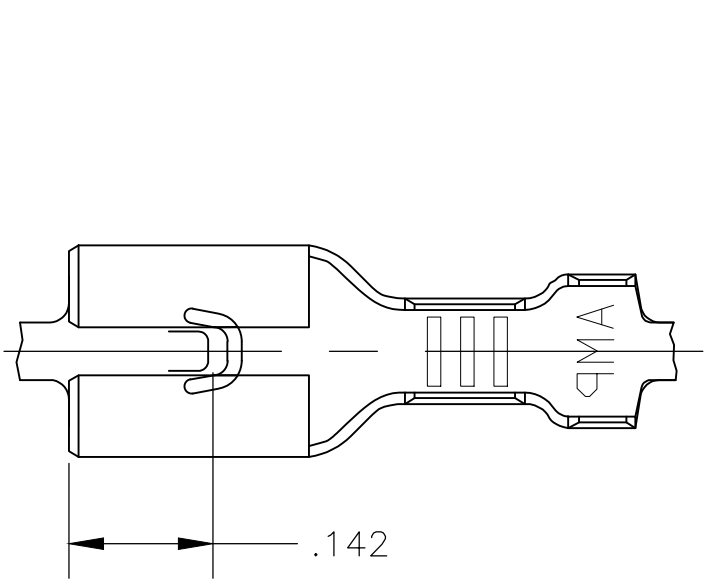



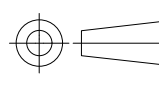
THIS DRAWING IS UNPUBLISHED. RELEASED FOR PUBLICATION
 © COPYRIGHT - By - ALL RIGHTS RESERVED.

LOC	DIST	REVISIONS			
P	LTR	DESCRIPTION	DATE	DWN	APVD
AF	50	C2	REVISED PER ECR-20-009164	20JUL2020	MK DH

- 1 CONTINUOUS STRIP ON REELS.
- 2 MATING TAB THK TO BE .021-.019
- 3 WIRE SIZE IS #20-#16 AWG.
- 4 INSULATION RANGE IS .090-.130



63970-1
 PART NO.

THIS DRAWING IS A CONTROLLED DOCUMENT.		DWN JR RUTH 6/10/97	 TE Connectivity				
DIMENSIONS: INCHES		CHK MS FEHER 6/10/97					
TOLERANCES UNLESS OTHERWISE SPECIFIED: ± .010		APVD D BRATINA 6/10/97	NAME RECEPTACLE, FASTON, LOW-INSERTION, .187 SERIES				
		PRODUCT SPEC -	APPLICATION SPEC -				
MATERIAL BRASS		FINISH -	114-2036	SIZE A3	CAGE CODE 00779	DRAWING NO C-63970	RESTRICTED TO -
CUSTOMER DRAWING			WEIGHT -	SCALE 5:1	SHEET 1 OF 1	REV C2	

单击下面可查看定价，库存，交付和生命周期等信息

[>>TE Connectivity\(泰科\)](#)