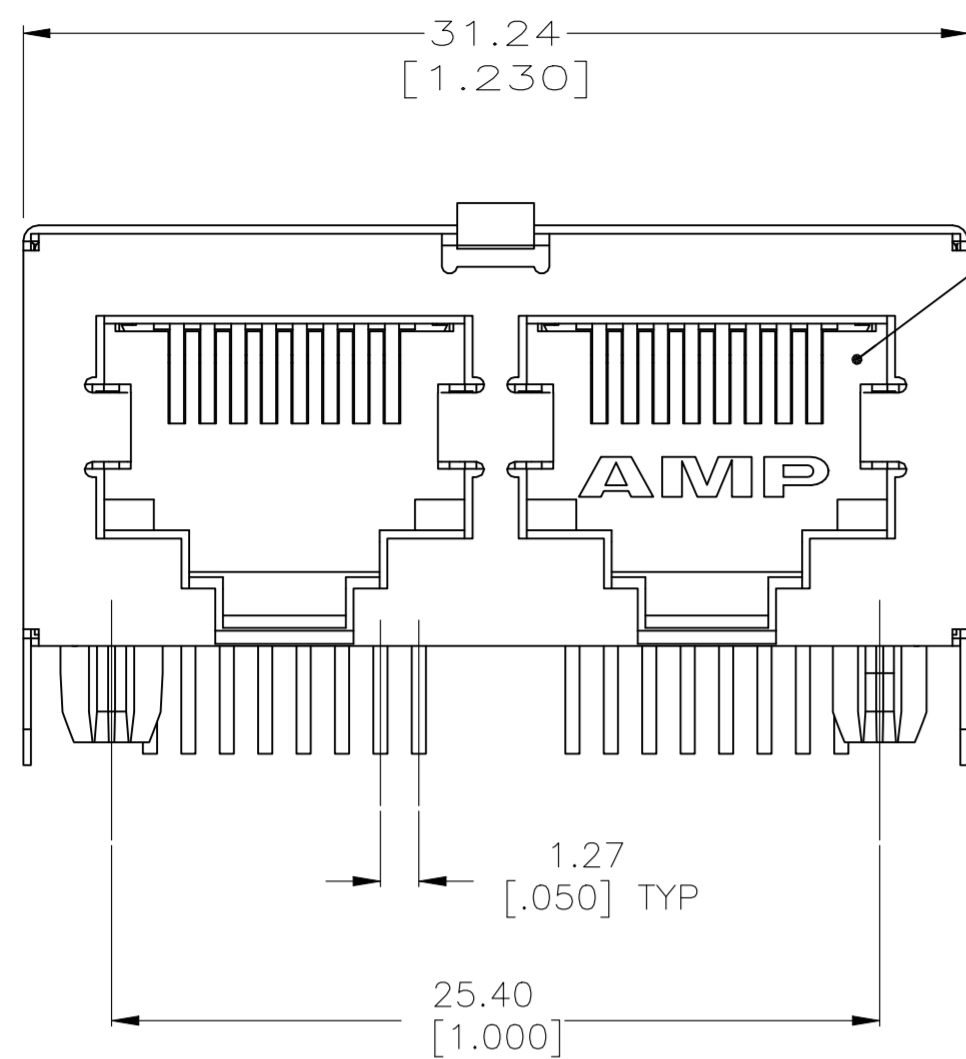
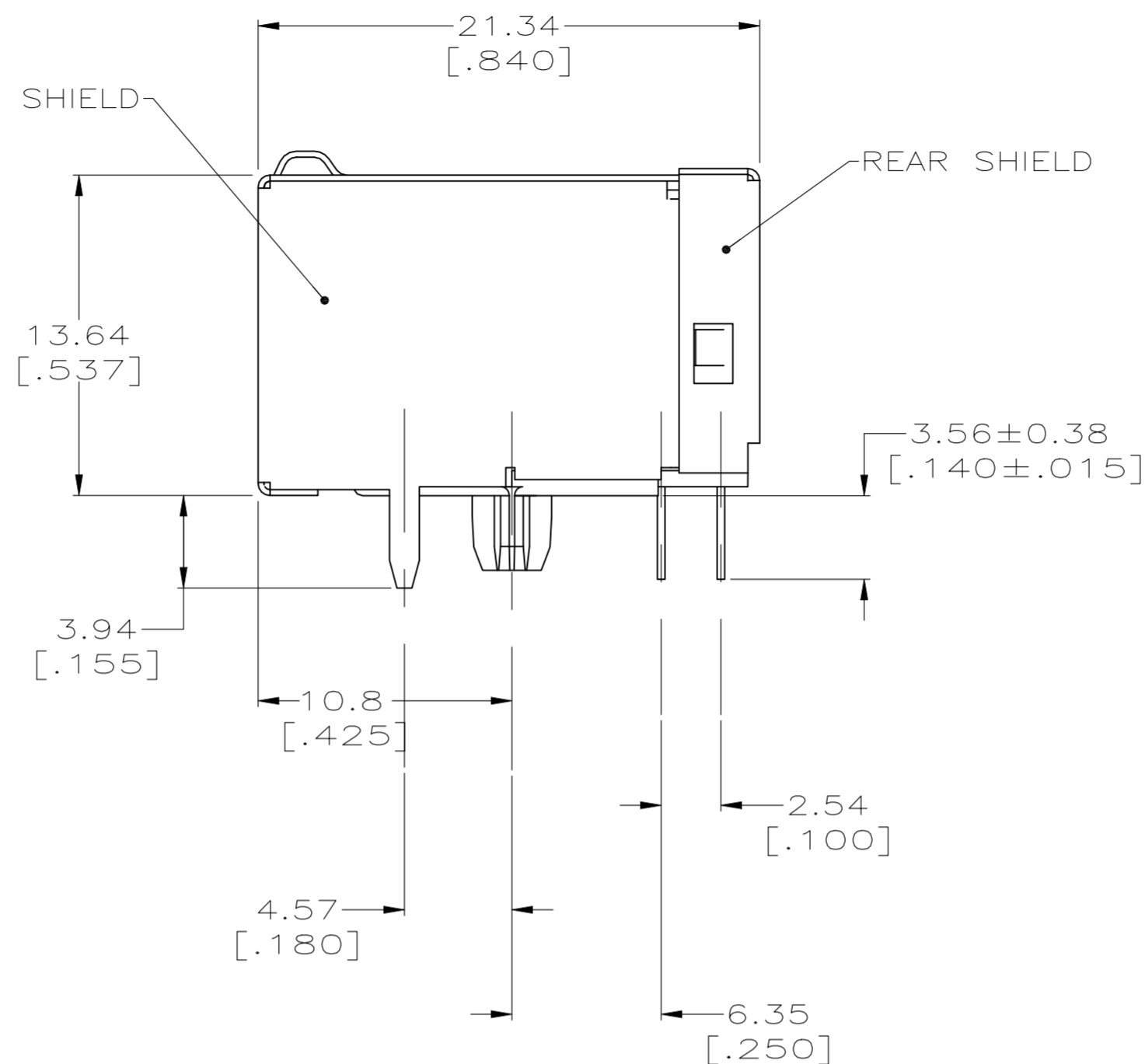


REVISIONS					
P	LTR	DESCRIPTION	DATE	DWN	APVD
D1		ECR-19-014657	13DEC2020	RR	SZ

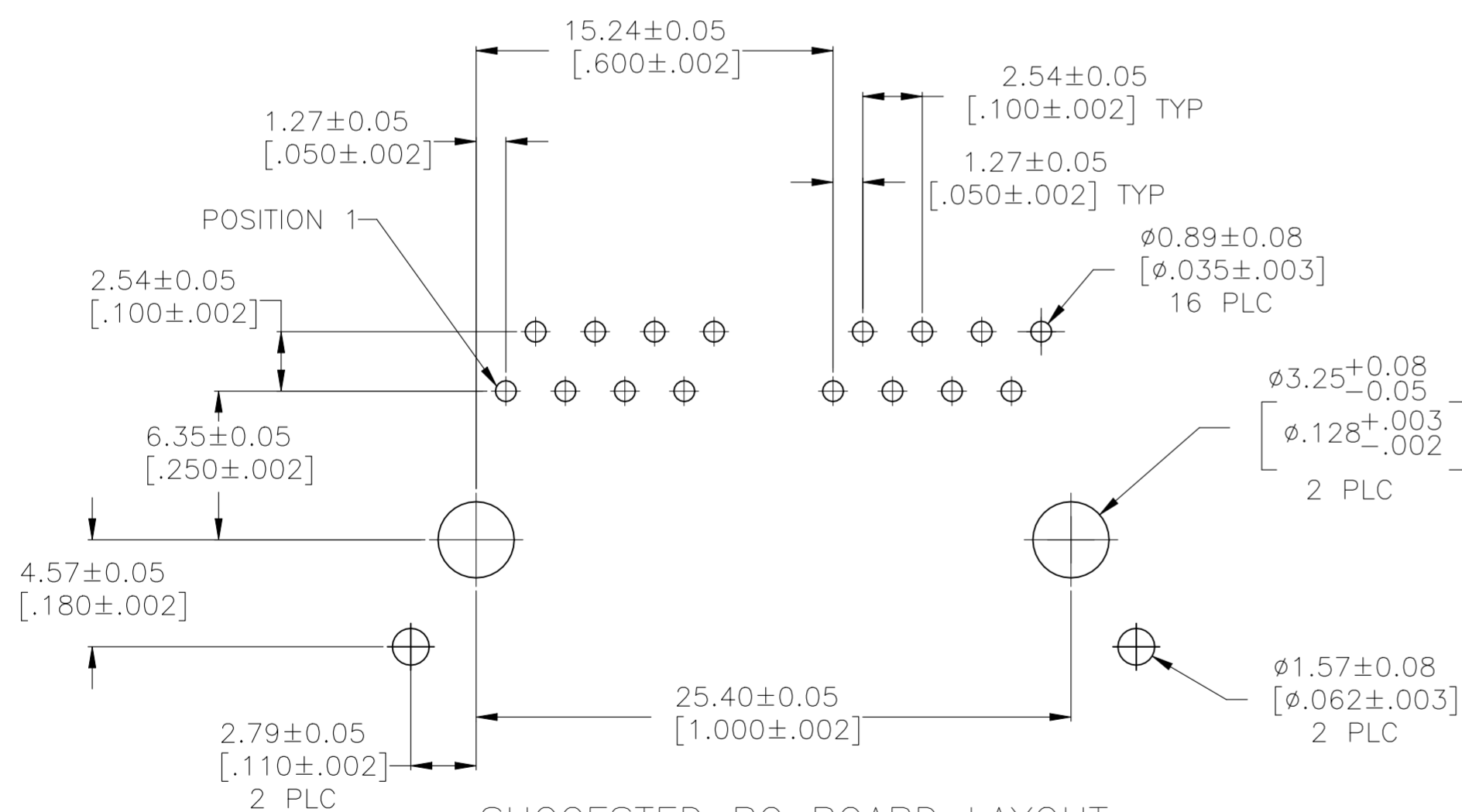


FRONT SHIELD



- MATERIAL: HOUSING – NYLON, COLOR: BLACK, UL 94V-0. OVERMOLDED TERMINAL ARRAY – PBT, BROWN. TERMINALS – 0.33[.013] THICK PHOS BRONZE PLATED WITH 1.27 μm[.000050] MIN THICK HARD GOLD IN LOCALIZED AREA AND 3.81 μm [.000150] MINIMUM THICK MATTE TIN IN SOLDER AREA OVER 1.27 μm[.000050] MIN THICK NICKEL UNDERPLATE. SHIELD – 0.25[.010] THICK COPPER ALLOY PLATED WITH 1.27 μm [.000050] MIN NICKEL AND 2.03 μm [.000080] MIN HOT TIN DIP ON PCB GROUND TABS.

△ JACK CAVITY CONFORMS TO FCC RULES AND REGULATIONS, PART 68 SUBPART F.



SUGGESTED PC BOARD LAYOUT
COMPONENT SIDE
SEE APPLICATION SPECIFICATION

5558434-1
PART NUMBER

THIS DRAWING IS A CONTROLLED DOCUMENT.		DWN G. GARRETT/L.A.MAYER 09MAY2005	TE Connectivity	
DIMENSIONS: mm		CHK C. WHITT 09MAY2005	NAME S.FLICKINGER	
TOLERANCES UNLESS OTHERWISE SPECIFIED:		APVD S.FLICKINGER 09MAY2005	PRODUCT SPEC 108-1163-2	
0 PLC ± -		APPLICATION SPEC 114-2048	SIZE A2	CAGE CODE 00779
1 PLC ± -		WEIGHT 0.000000	DRAWING NO C=5558434	RESTRICTED TO -
2 PLC ± 0.25[.01]		CUSTOMER DRAWING	SCALE 4:1	SHEET 1 OF 1
3 PLC ± 0.13[.005]			REV D1	
4 PLC ± -				
ANGLES ± -				
FINISH SEE NOTE 1				

单击下面可查看定价，库存，交付和生命周期等信息

[>>TE Connectivity\(泰科\)](#)