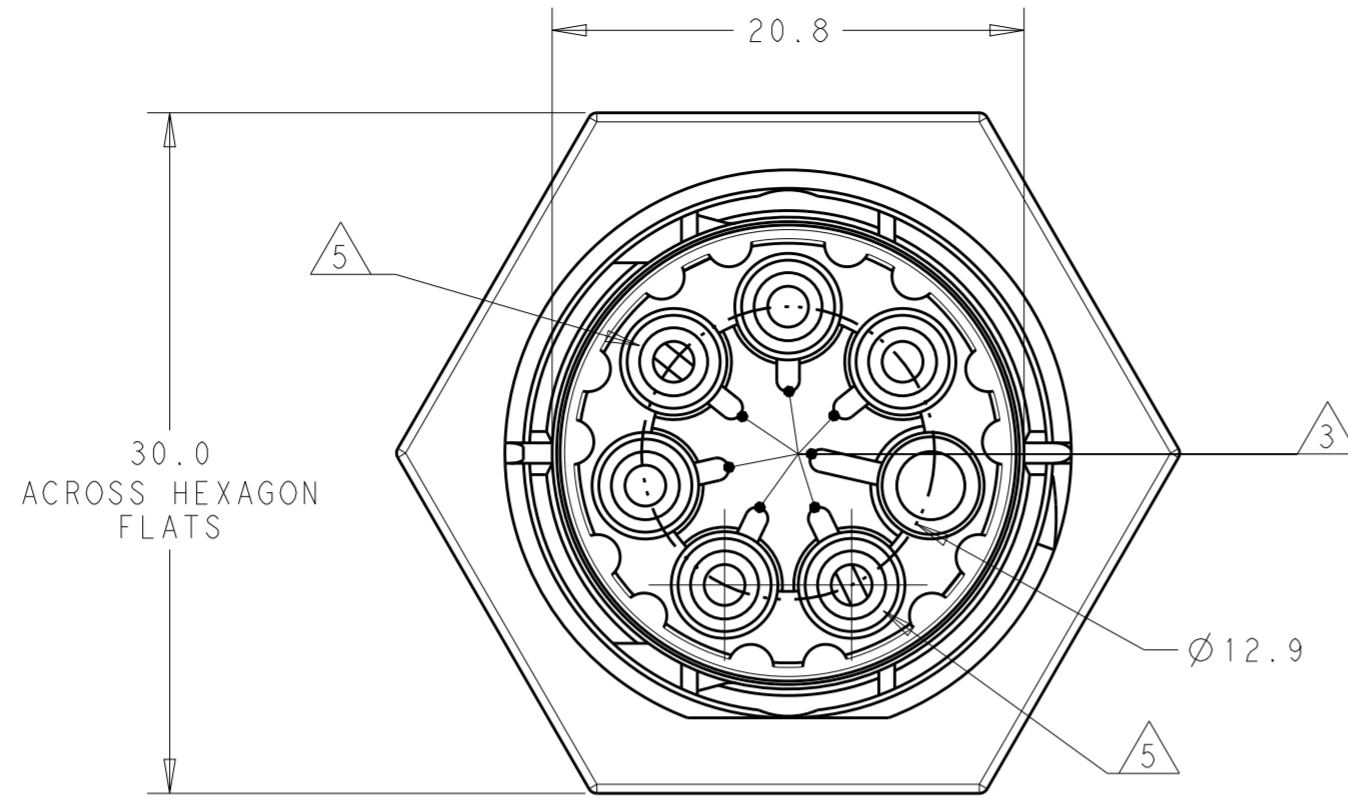


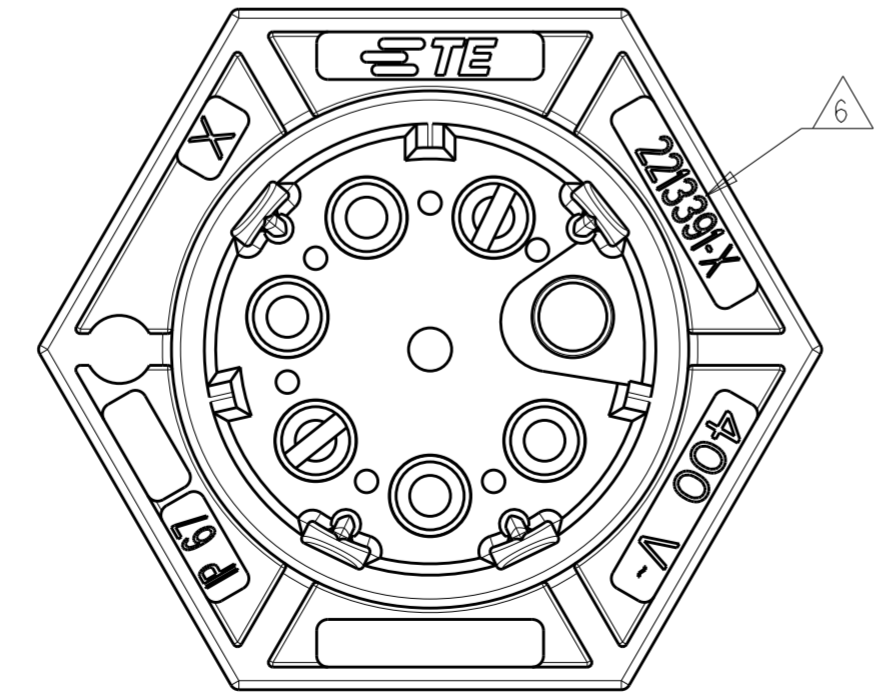
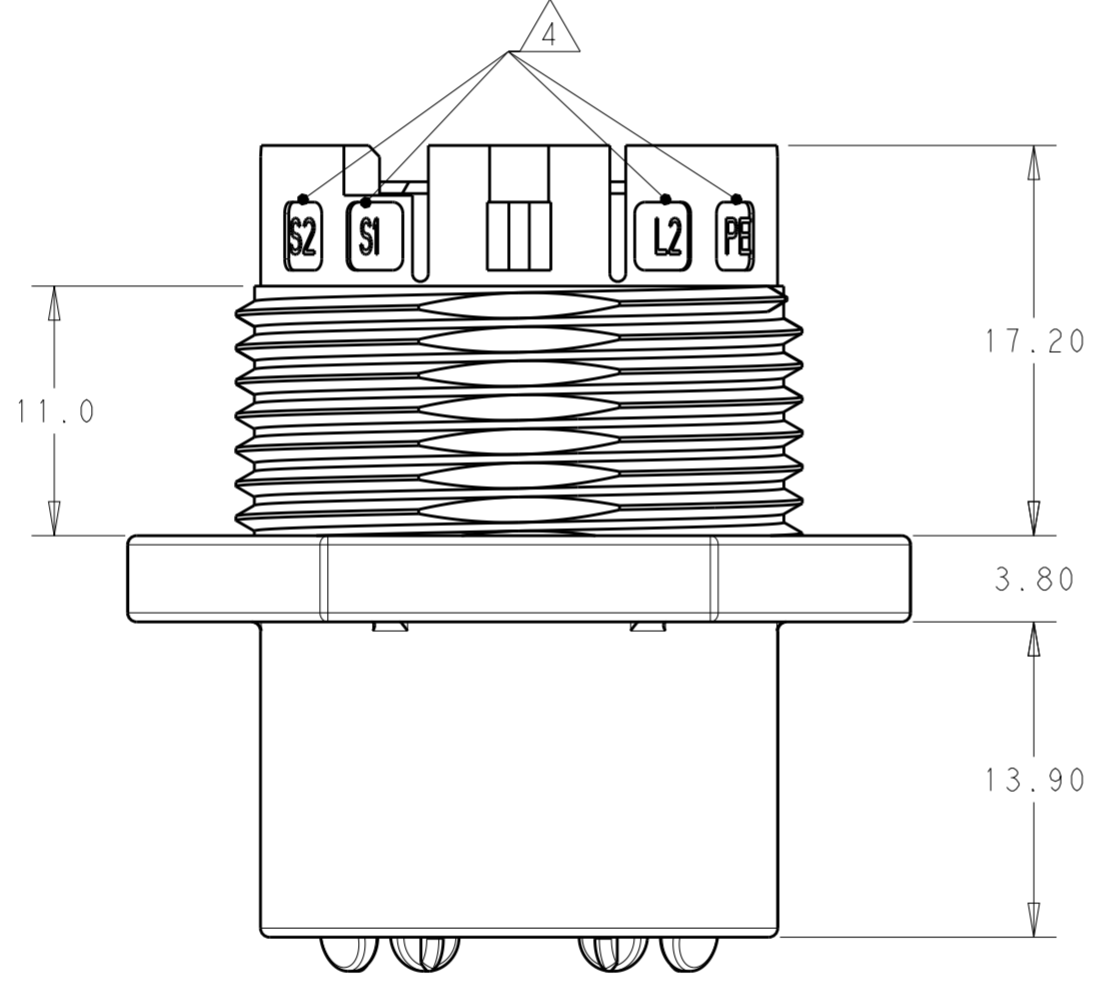
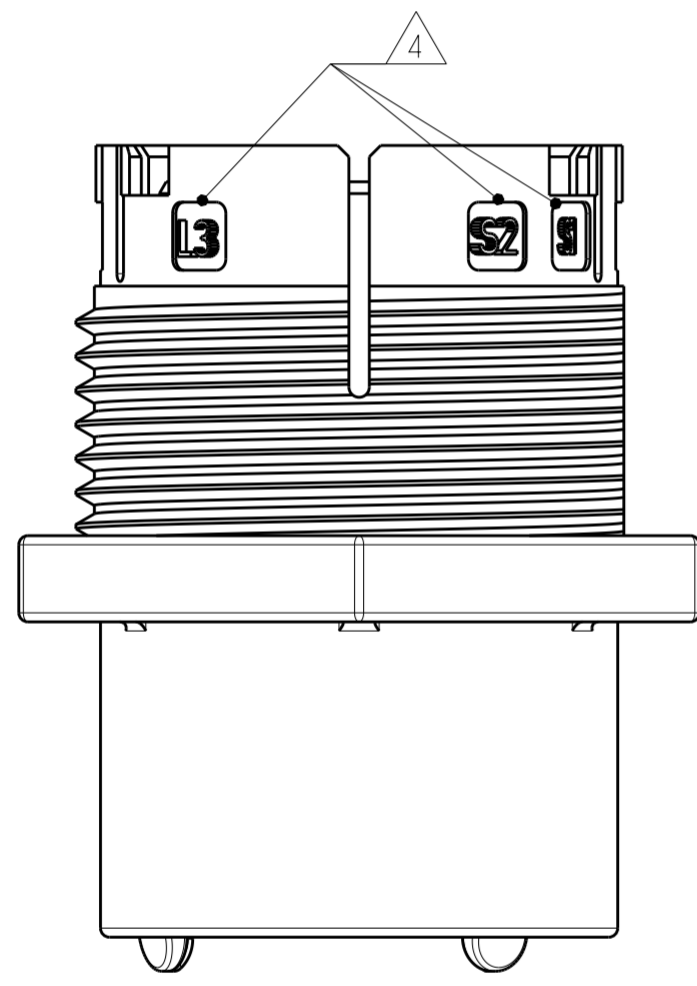
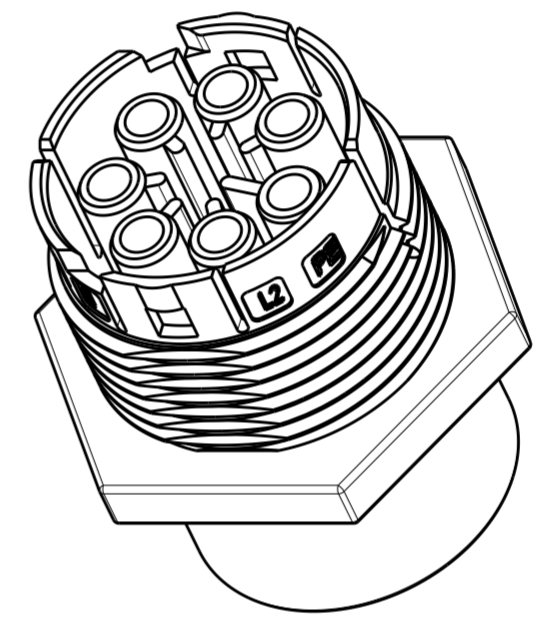
THIS DRAWING IS UNPUBLISHED. RELEASED FOR PUBLICATION 20
 © COPYRIGHT 20 BY - ALL RIGHTS RESERVED.

REVISIONS					
P	LTR	DESCRIPTION	DATE	DWN	APVD
A		REVISED AS PER ECR-15-005925	21APR2015	RS	JL
B		REVISED AS PER ECR-16-000859	08MAR2016	RS	JL
B1		ECR-18-006945	02JUL2018	SR	MZ



NOTES:

1. MATERIAL: GLASS FILLED PBT, COLOR: BLACK
2. MUST COMPLY WITH DIRECTIVE 2002/95/EC (ROHS)
3. ALL POLARIZATION KEYS SHOWN FOR REF ONLY.
4. CIRCUIT I.D.
5. CIRCUIT "L2" AND "L3" ARE BLOCKED TO PREVENT CONTACTS INSTALLATION.
6. TE PART NUMBER.
7. THIS PRODUCT HAS NOT COMPLETED VALIDATION TESTING



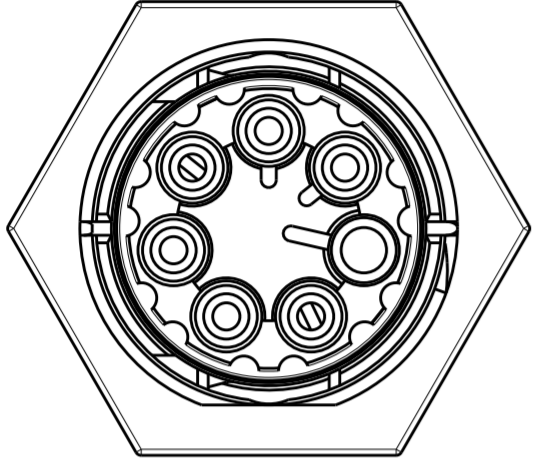
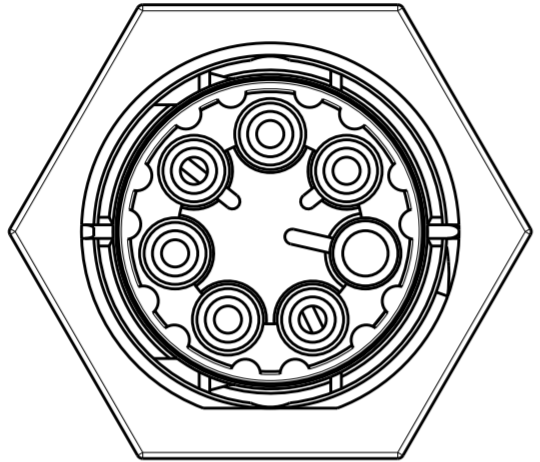
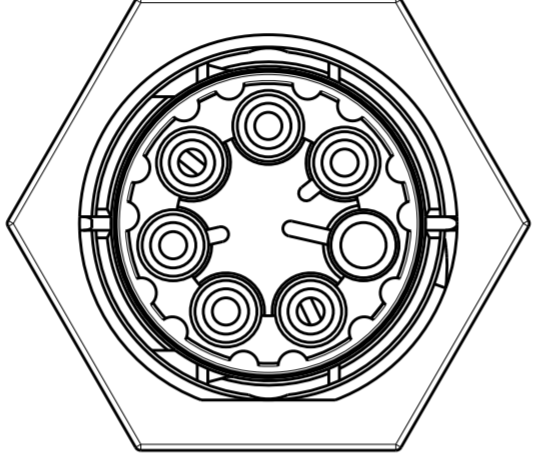
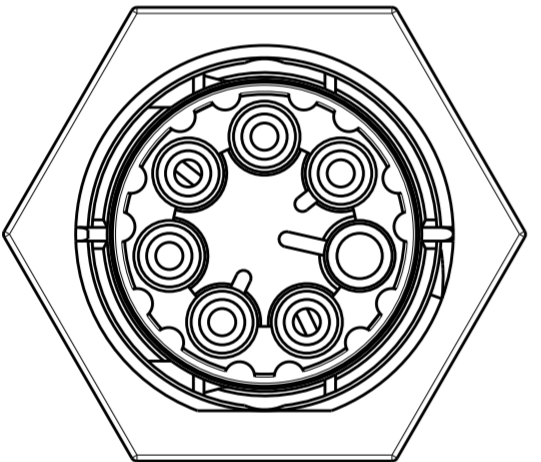
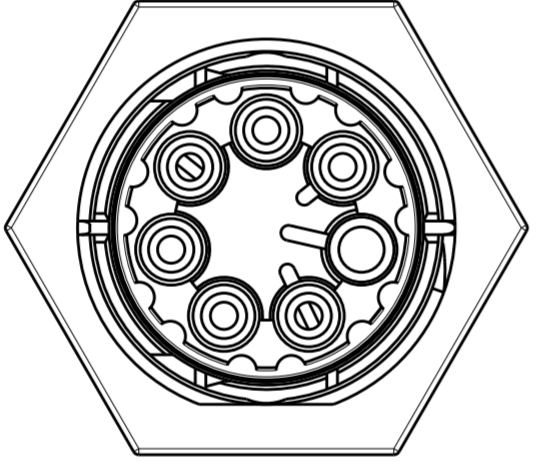
OBSOLETE	E	PANEL MT SKT. SEALED NECTOR M, 5 POLE	2213225-5
	D	PANEL MT SKT. SEALED NECTOR M, 5 POLE	2213225-4
	C	PANEL MT SKT. SEALED NECTOR M, 5 POLE	2213225-3
	B	PANEL MT SKT. SEALED NECTOR M, 5 POLE	2213225-2
	A	PANEL MT SKT. SEALED NECTOR M, 5 POLE	2213225-1
		POLARIZATION TYPE	DESCRIPTION

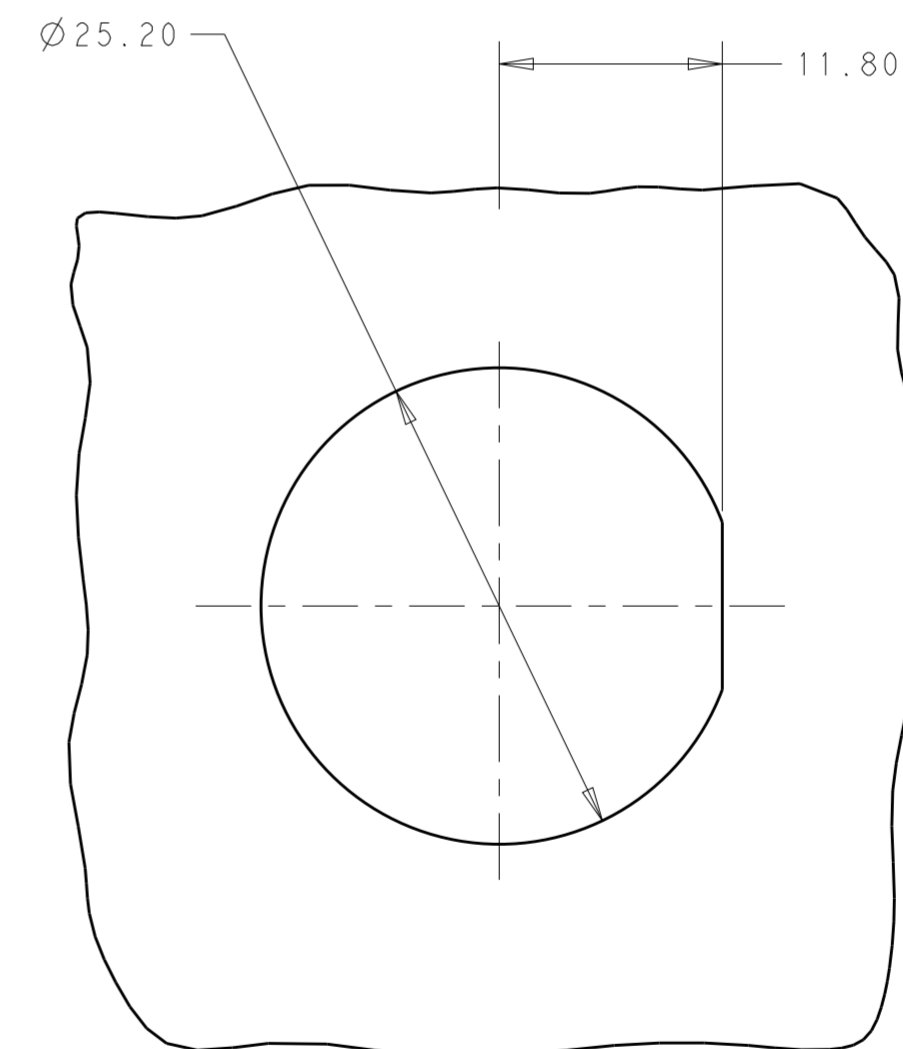
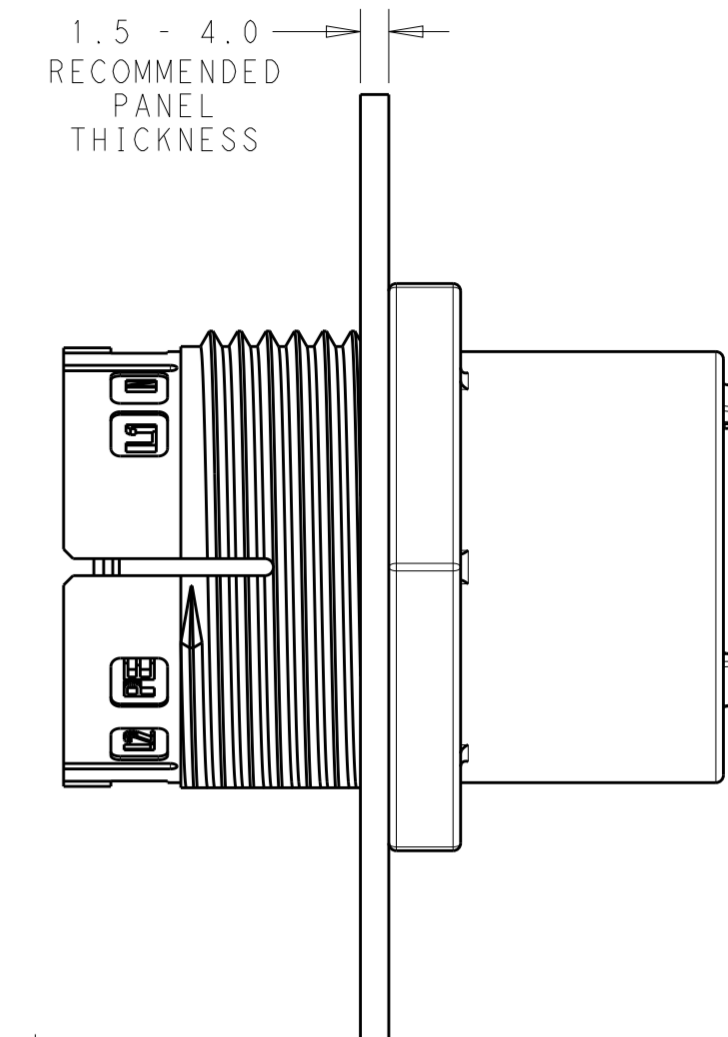
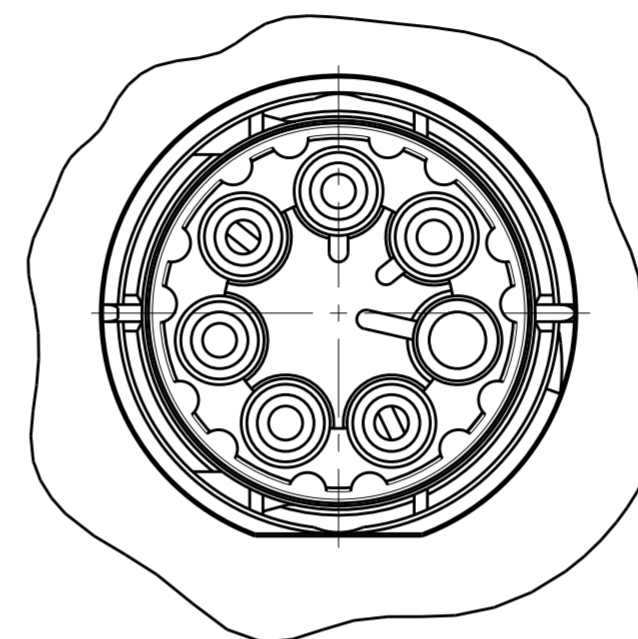
THIS DRAWING IS A CONTROLLED DOCUMENT.		DWN J. SHAEFFER 12NOV2013	TE Connectivity	
DIMENSIONS: mm		CHK M. LUKSIC 12NOV2013		
TOLERANCES UNLESS OTHERWISE SPECIFIED:		APVD M. LUKSIC 12NOV2013	NAME PANEL MOUNT, SOCKET; SEALED NECTOR M; 5 POLE	
0 PLC	±	PRODUCT SPEC	SIZE	CAGE CODE
1 PLC	±0.2	108-133014	A2	-
2 PLC	±0.13	APPLICATION SPEC	DRAWING NO	RESTRICTED TO
3 PLC	±	114-32111	G-2213225	-
4 PLC	±	WEIGHT	SCALE	SHEET
ANGLES	±	-	2:1	1 OF 2
FINISH	-	CUSTOMER DRAWING	REV	B1

THIS DRAWING IS UNPUBLISHED. RELEASED FOR PUBLICATION 20
 © COPYRIGHT 20 BY - ALL RIGHTS RESERVED.

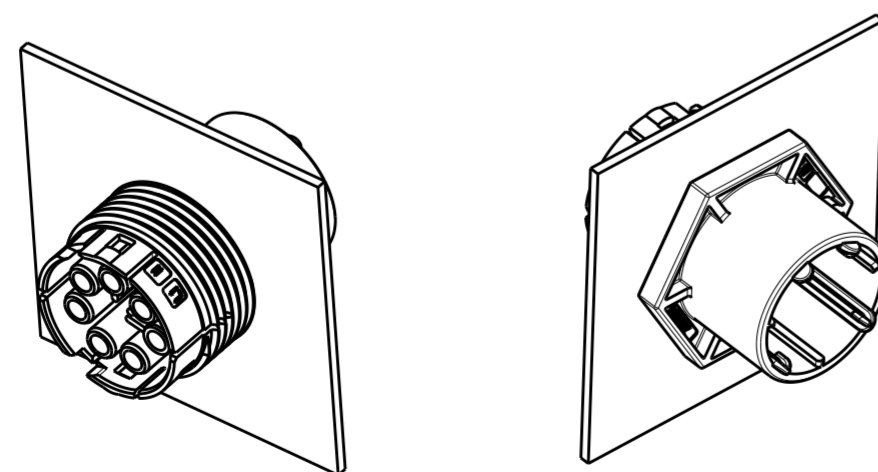
REVISIONS				
P	LTR	DESCRIPTION	DATE	APVD
-		SEE SHEET 1	-	-

POLARIZATION TYPES


POLARIZATION TYPE "A"	POLARIZATION TYPE "B"	POLARIZATION TYPE "C"
		
PN: 2213225-1	PN: 2213225-2	PN: 2213225-3
POLARIZATION TYPE "D"	POLARIZATION TYPE "E"	
		
PN: 2213225-4	PN: 2213225-5	



RECOMMENDED
PANEL CUTOUT
SCALE 5:2



3D VIEWS
FOR REFERENCE ONLY

THIS DRAWING IS A CONTROLLED DOCUMENT.		DWN J. SHAFFER 12NOV2013	 TE Connectivity	
		CHK M. LUKSIC 12NOV2013		
		APVD M. LUKSIC 12NOV2013	NAME PANEL MOUNT, SOCKET; SEALED NECTOR M; 5 POLE	
DIMENSIONS: mm		PRODUCT SPEC 108-133014	SIZE A2	CAGE CODE -
TOLERANCES UNLESS OTHERWISE SPECIFIED:		APPLICATION SPEC 114-32111	DRAWING NO G-2213225	RESTRICTED TO -
0 PLC ±		WEIGHT -	SCALE 2:1	SHEET 2 OF 2
1 PLC ±0.2		CUSTOMER DRAWING	REV B1	
2 PLC ±0.13				
3 PLC ±				
4 PLC ±				
ANGLES ±				
FINISH -				
NOTE 1 -				

单击下面可查看定价，库存，交付和生命周期等信息

[>>TE Connectivity\(泰科\)](#)