

THIS DRAWING IS UNPUBLISHED. RELEASED FOR PUBLICATION

© COPYRIGHT - BY TYCO ELECTRONICS CORPORATION. ALL RIGHTS RESERVED.

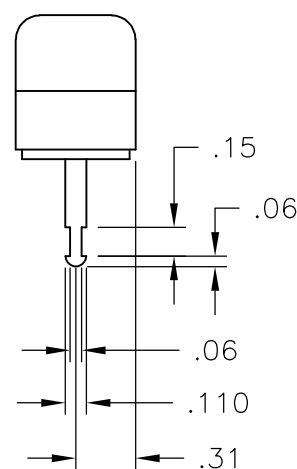
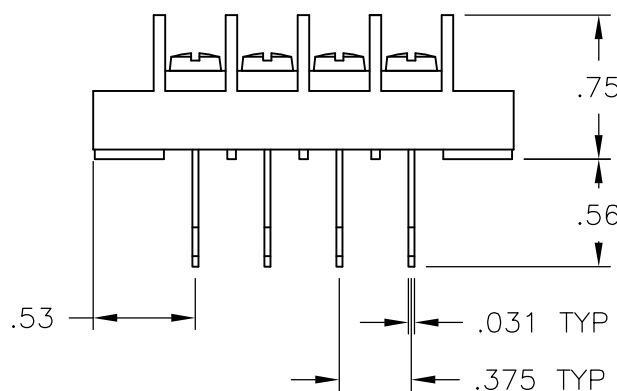
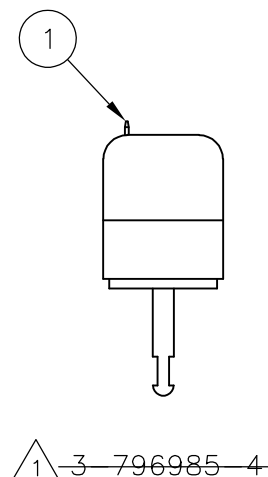
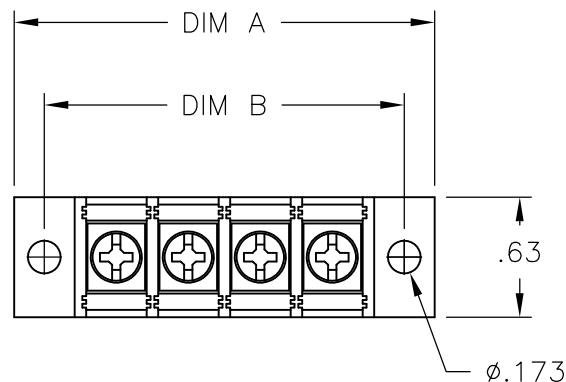
LOC	DIST	REVISIONS					
FT	0	P	LTR	DESCRIPTION	DATE	DWN	APVD
			A2	REVISED PER ECO-10-013614	13OCT10	HMR	CR

MATERIAL:
 HOUSING: THERMOPLASTIC, UL94V-0, BLACK.
 TERMINALS: BRIGHT TIN OVER COPPER ALLOY.
 SCREWS: 6-32, STEEL, ZINC PLATING W/ CLR CHROMATE.

ELECTRICAL:
 CURRENT RATING: 20A.
 OPERATING VOLTAGE: 300V.
 WIRE RANGE: 12-22 AWG.

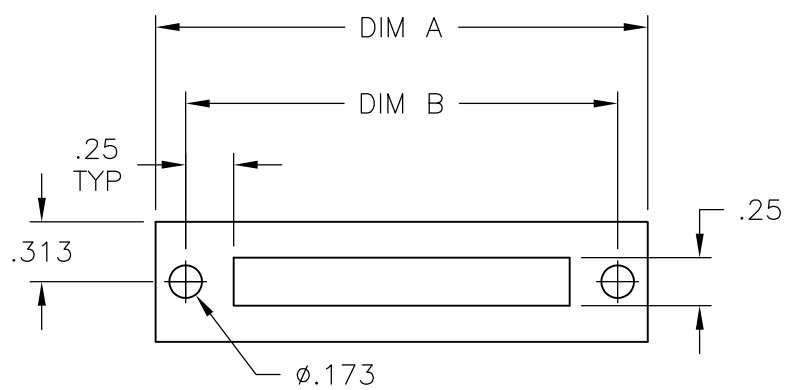
ENVIRONMENTAL:
 OPERATING TEMP.: 105°C MAX.

1 OBSOLETE PARTS: OBSOLETE CIS STREAMLINING PER D.RENAUD/D.SINISI



SEE FIGURE

-	9.000	9.314	23	JC6-T207-23	2-1546701-8		
-	8.625	8.939	22	JC6-T207-22	2-1546701-7		
-	8.250	8.564	21	JC6-T207-21	2-1546701-6		
-	7.875	8.189	20	JC6-T207-20	2-1546701-5		
-	7.500	7.814	19	JC6-T207-19	2-1546701-4		
-	7.125	7.439	18	JC6-T207-18	2-1546701-3		
-	6.750	7.064	17	JC6-T207-17	2-1546701-2		
-	6.375	6.689	16	JC6-T207-16	2-1546701-0		
-	6.000	6.314	15	JC6-T207-15	1-1546701-9		
-	5.625	5.939	14	JC6-T207-14	1-1546701-8		
-	5.250	5.564	13	JC6-T207-13	1-1546701-7		
-	4.875	5.189	12	JC6-T207-12	1-1546701-6		
-	4.500	4.814	11	JC6-T207-11	1-1546701-5		
-	4.125	4.439	10	JC6-T207-10	8-1437665-3		
-	3.750	4.064	9	JC6-T207-09	1-1546701-4		
-	3.375	3.689	8	JC6-T207-08	8-1437665-2		
-	3.000	3.314	7	JC6-T207-07	1-1546701-3		
-	2.625	2.939	6	JC6-T207-06	796985-2		
5	2.250	2.564	5	JC6-T207-05-148	1-3-796985-4		
-	2.250	2.564	5	JC6-T207-05	8-1437665-1		
-	1.875	2.189	4	JC6-T207-04	8-1437665-0		
-	1.500	1.814	3	JC6-T207-03	7-1437665-9		
-	1.125	1.439	2	JC6-T207-02	7-1437665-8		
.250 QC TAB 90° SGL SIDED							
1	DIM B	DIM A	NO OF POS	CATALOG NUMBER	PART NUMBER		



RECOMMENDED BOARD LAYOUT

THIS DRAWING IS A CONTROLLED DOCUMENT.		DWN	S SCHLEGEL	10/24/06	Tyco Electronics Corporation Harrisburg, PA 17105-3608	
DIMENSIONS: INCHES		CHK	S YODER	10/24/06	NAME	
TOLERANCES UNLESS OTHERWISE SPECIFIED:		APVD	S YODER	10/24/06	JC6-T207-XX ASSEMBLY	
0 PLC	± -	PRODUCT SPEC		SIZE		
1 PLC	± -	APPLICATION SPEC		CAGE CODE	DRAWING NO	RESTRICTED TO
2 PLC	± .01	MATERIAL		A3	00779	C-7-1437665-8
3 PLC	± .005	FINISH		SCALE NTS SHEET 1 OF 1 REV A2		
4 PLC	± -	MATERIAL		CUSTOMER DRAWING		
ANGLES	± -	FINISH		SCALE NTS SHEET 1 OF 1 REV A2		

单击下面可查看定价，库存，交付和生命周期等信息

[>>TE Connectivity\(泰科\)](#)