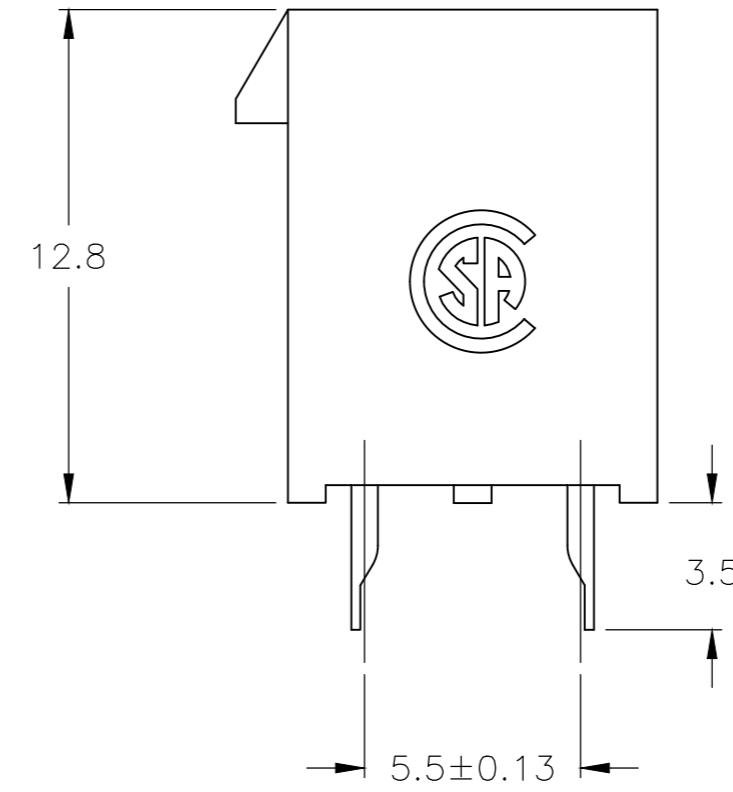
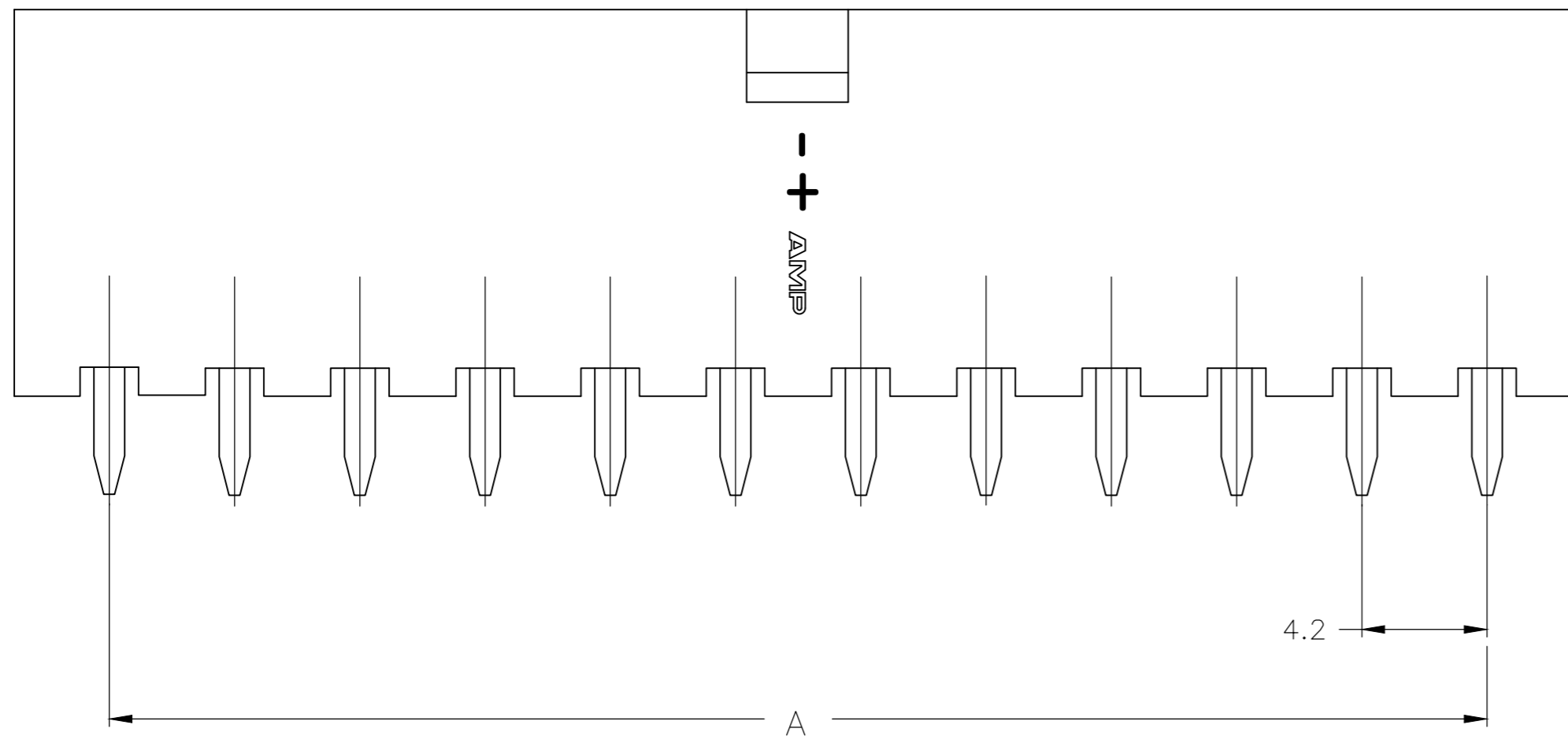
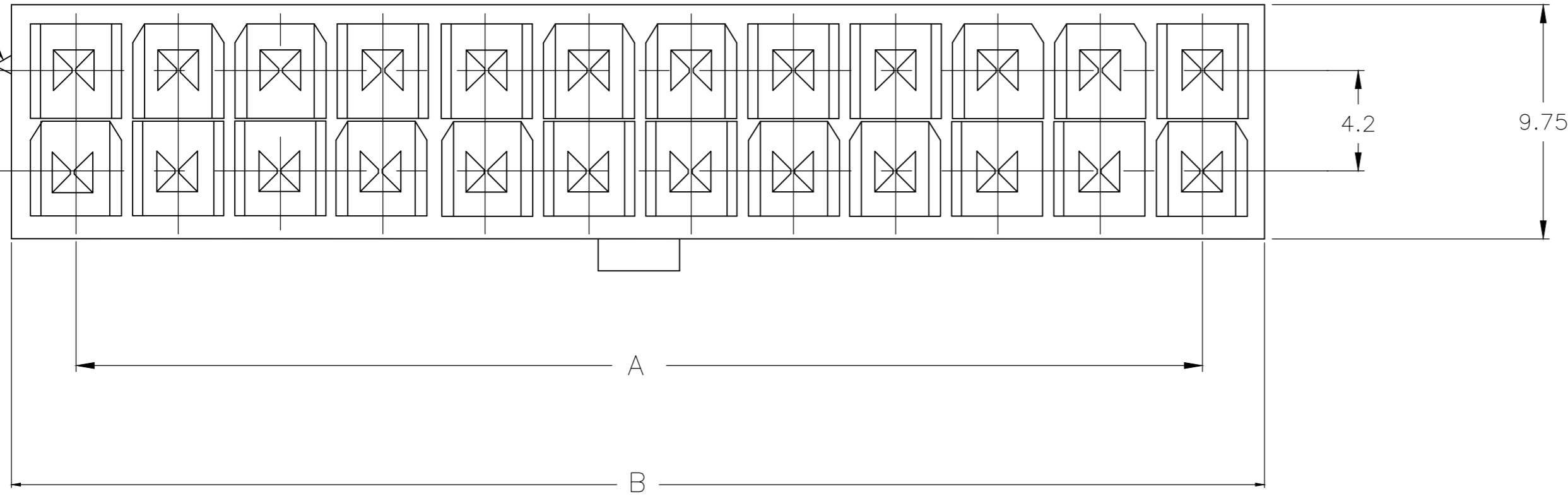


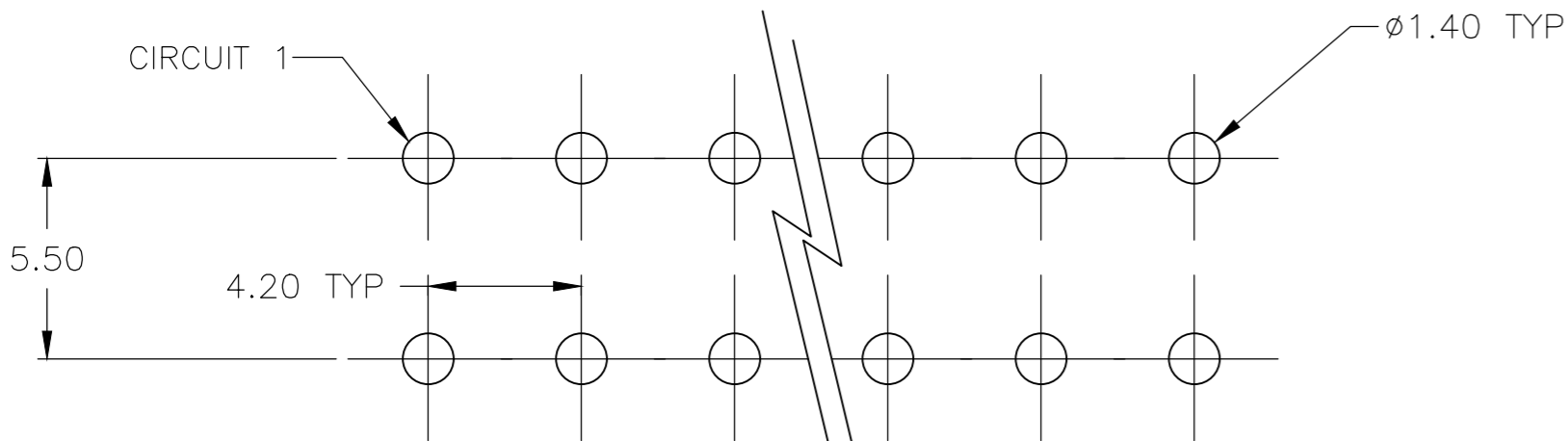
REVISIONS					
P	LTR	DESCRIPTION	DATE	DWN	APVD
C6		REVISED PER ECR-19-013240	06MAY2020	WH	DZ

POSITION 1 IDENTIFICATION FEATURE

- 1 MATERIAL: HOUSING-NYLON, UL94V-0 (COLOR-NATURAL, COLOR OF PARTS MAY VARY) CONTACTS-0.25 [.010] THICK BRASS ALLOY.
- 2 CONTACT FINISH: 0.002032 [.000080] MIN BRIGHT TIN OVER 0.000762 [.000030] MIN NICKEL OVER ENTIRE CONTACT.
- 3 MATES WITH VAL-U-LOK(TM) RECEPTACLE HOUSINGS.



24	46.2±0.25	51.6	2-1586038-4
22	42.0±0.25	47.4	2-1586038-2
20	37.8±0.25	43.2	2-1586038-0
18	33.6±0.25	39.0	1-1586038-8
16	29.4±0.25	34.8	1-1586038-6
14	25.2±0.25	30.6	1-1586038-4
12	21.0±0.25	26.4	1-1586038-2
10	16.8±0.13	22.2	1-1586038-0
8	12.6±0.13	18.0	1586038-8
6	8.4±0.13	13.8	1586038-6
4	4.2±0.13	9.6	1586038-4
2		5.4	1586038-2
POS	A	B±0.25	PART NUMBER



PCB LAYOUT: COMPONENT SIDE  
RECOMMENDED BOARD THICKNESS 1.60

2-1586038-4 SHOWN

THIS DRAWING IS A CONTROLLED DOCUMENT.		DWN S. HOOVER 18-SEP-2002	TE Connectivity	
DIMENSIONS: mm [INCHES]		CHK D. COLEY 18-SEP-2002		
TOLERANCES UNLESS OTHERWISE SPECIFIED:		APVD D. COLEY 18-SEP-2002	NAME	
0 PLC ±		PRODUCT SPEC	WITH DRAIN HOLES VAL-U-LOK(TM)	
1 PLC ± 0.5		APPLICATION SPEC	-	
2 PLC ± 0.25		114-13172	SIZE	CAGE CODE
3 PLC ± -		114-13172	A2	00779
4 PLC ± -		WEIGHT	DRAWING NO	
ANGLES ±		-	C=1586038	
FINISH		SCALE		SHEET
1		N/A		1 of 1
2		CUSTOMER DRAWING		REV
				C6

单击下面可查看定价，库存，交付和生命周期等信息

[>>TE Connectivity\(泰科\)](#)