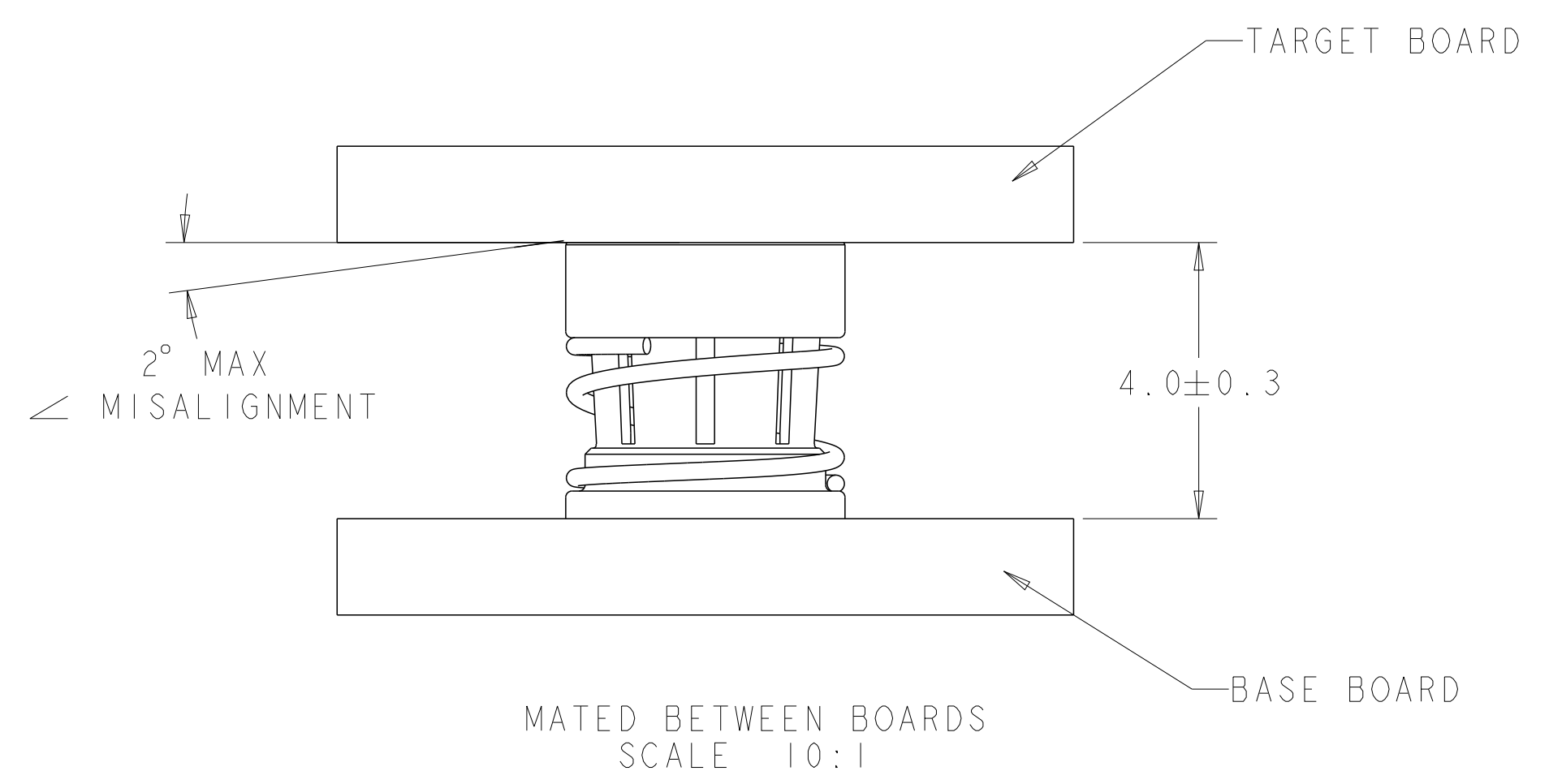
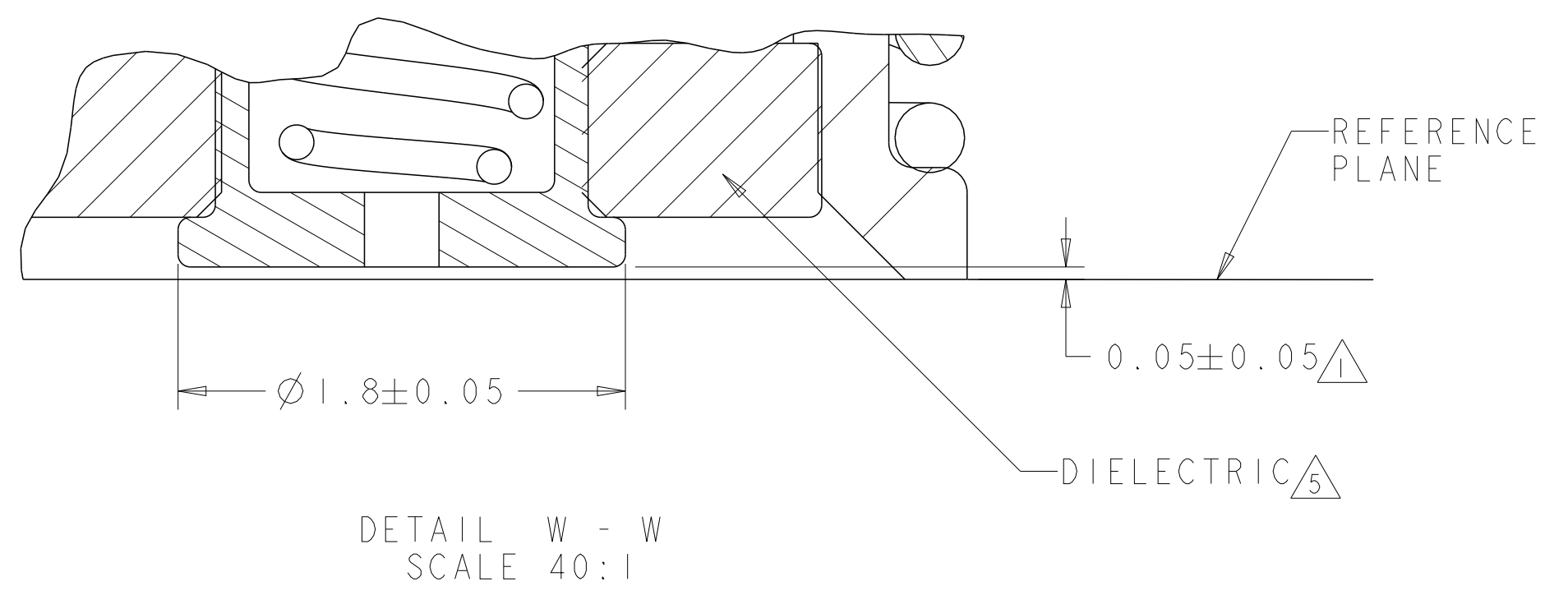
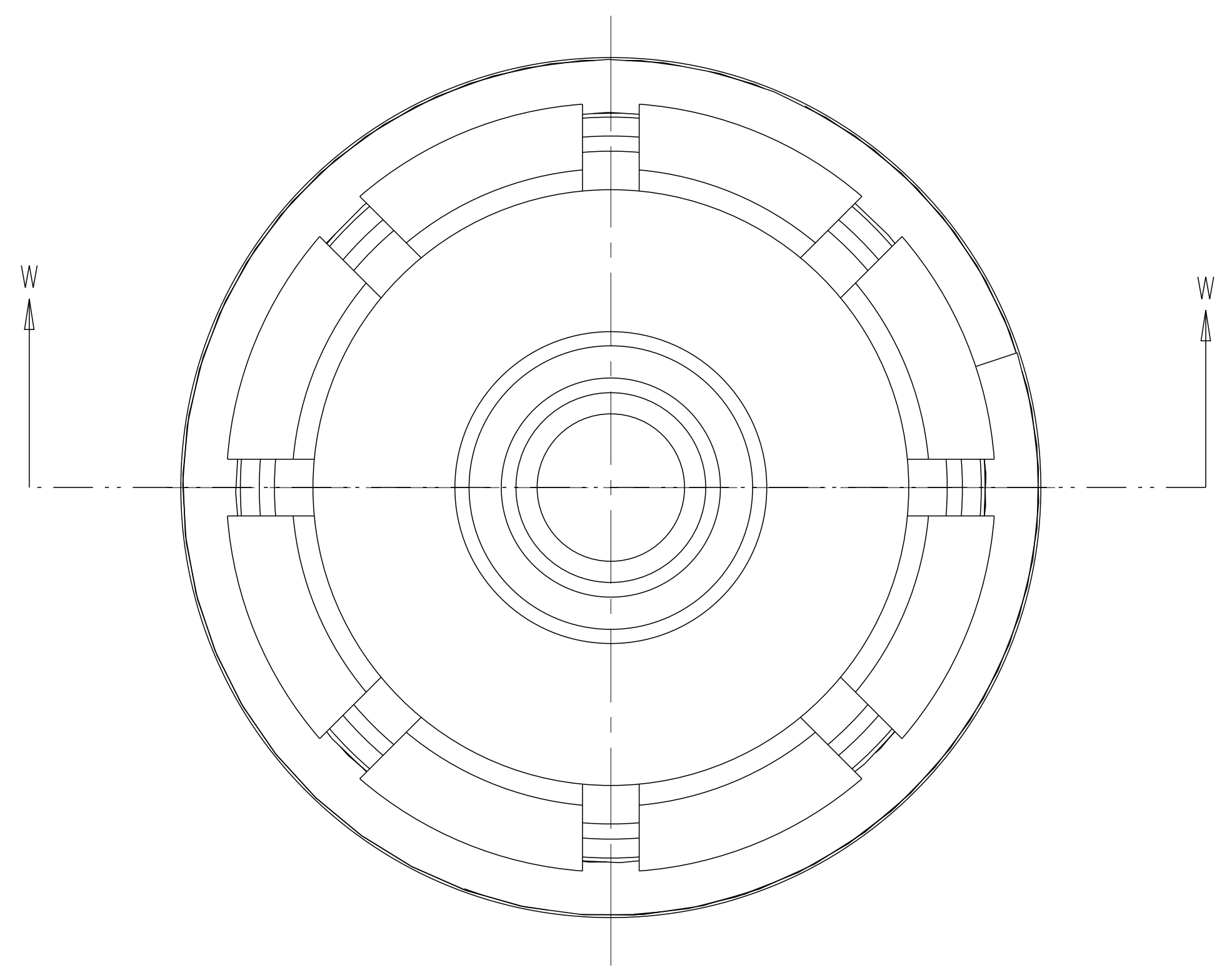
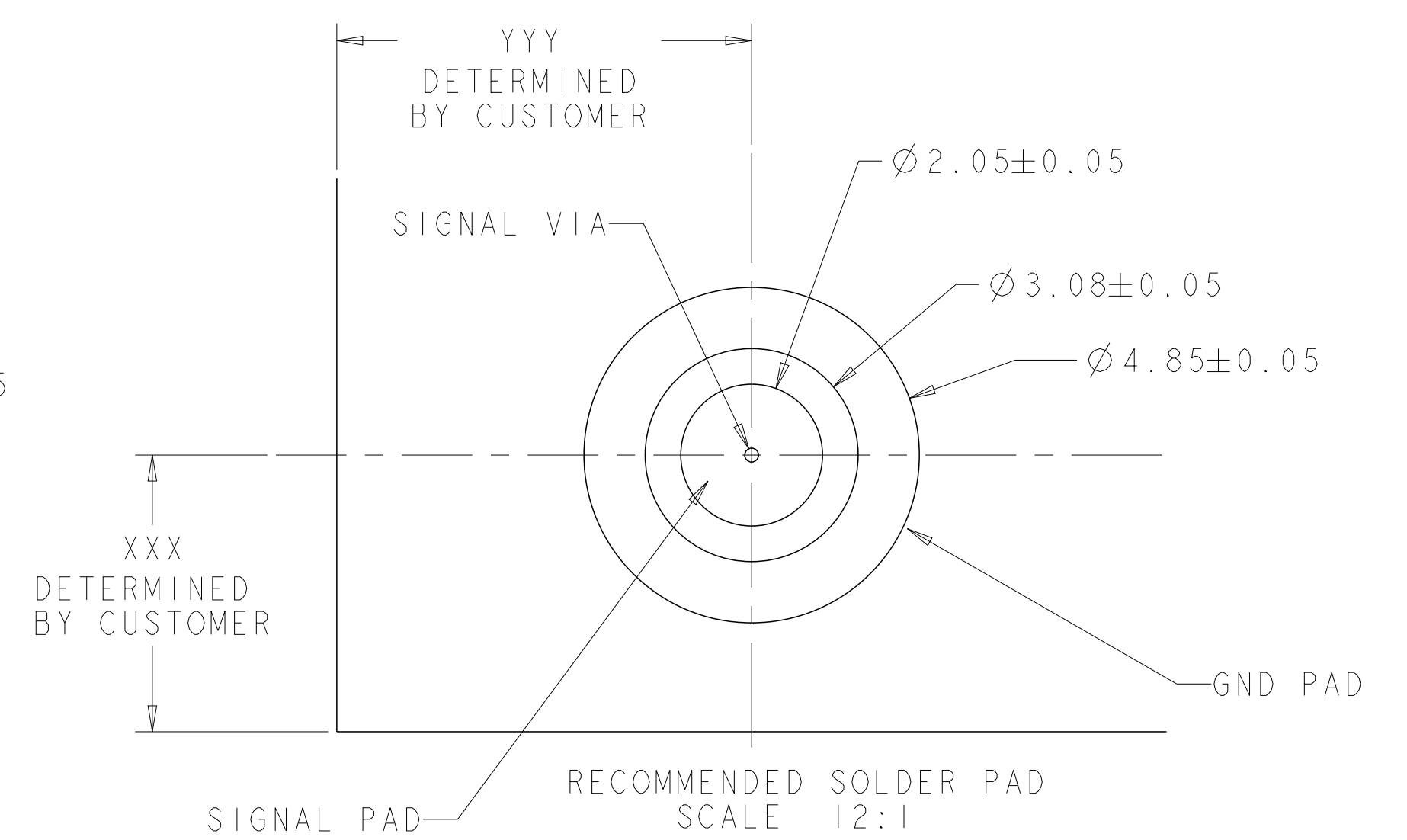
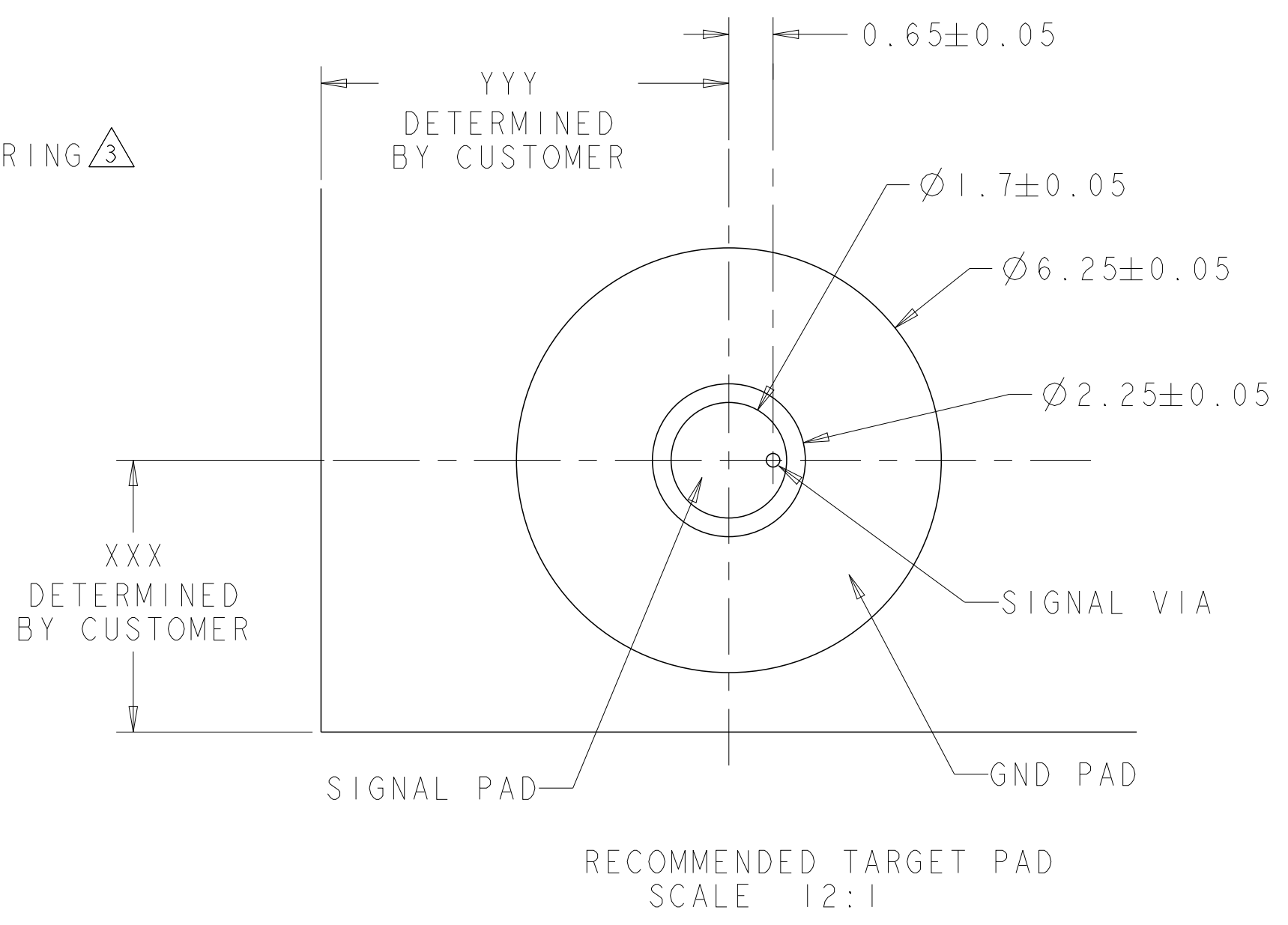
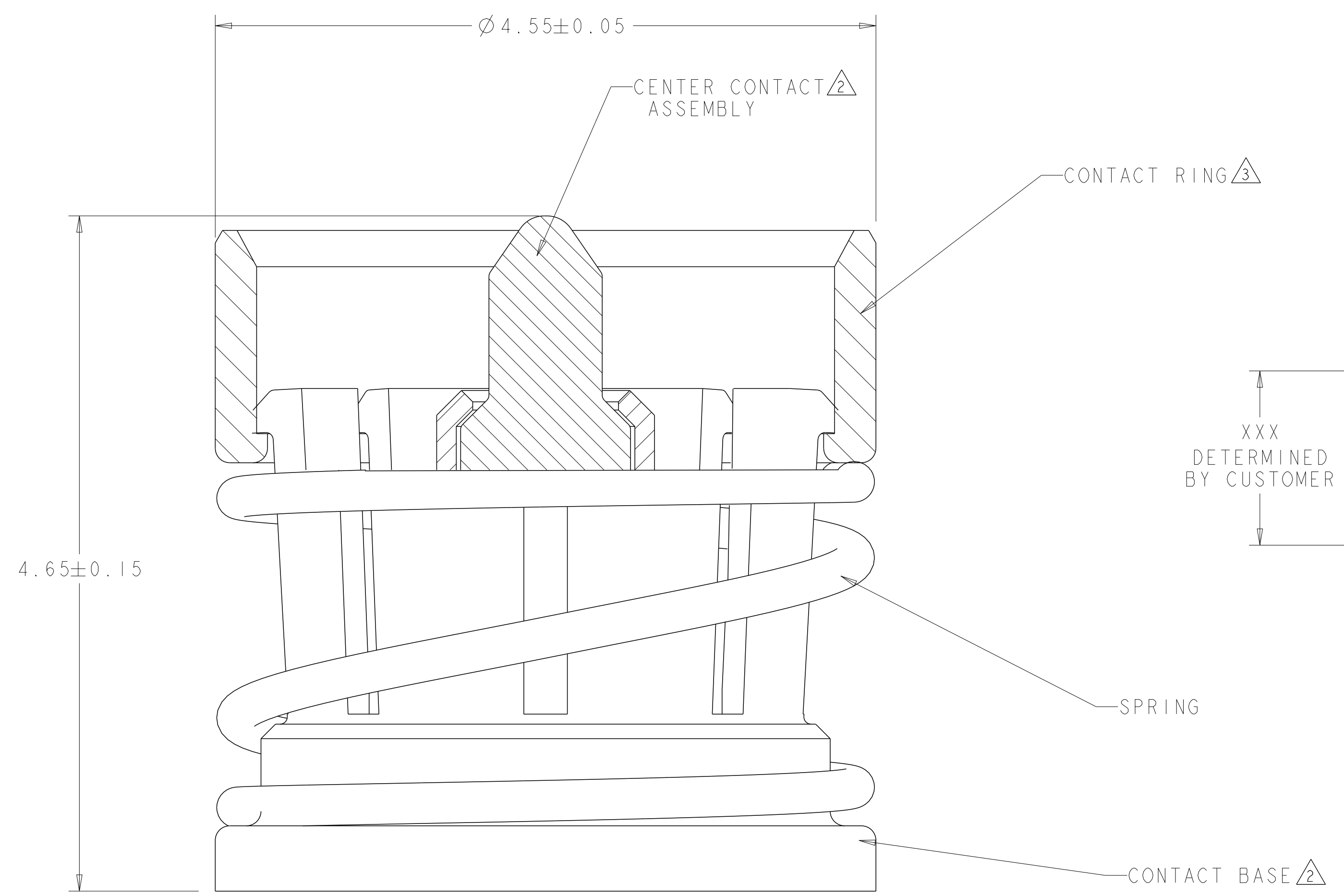
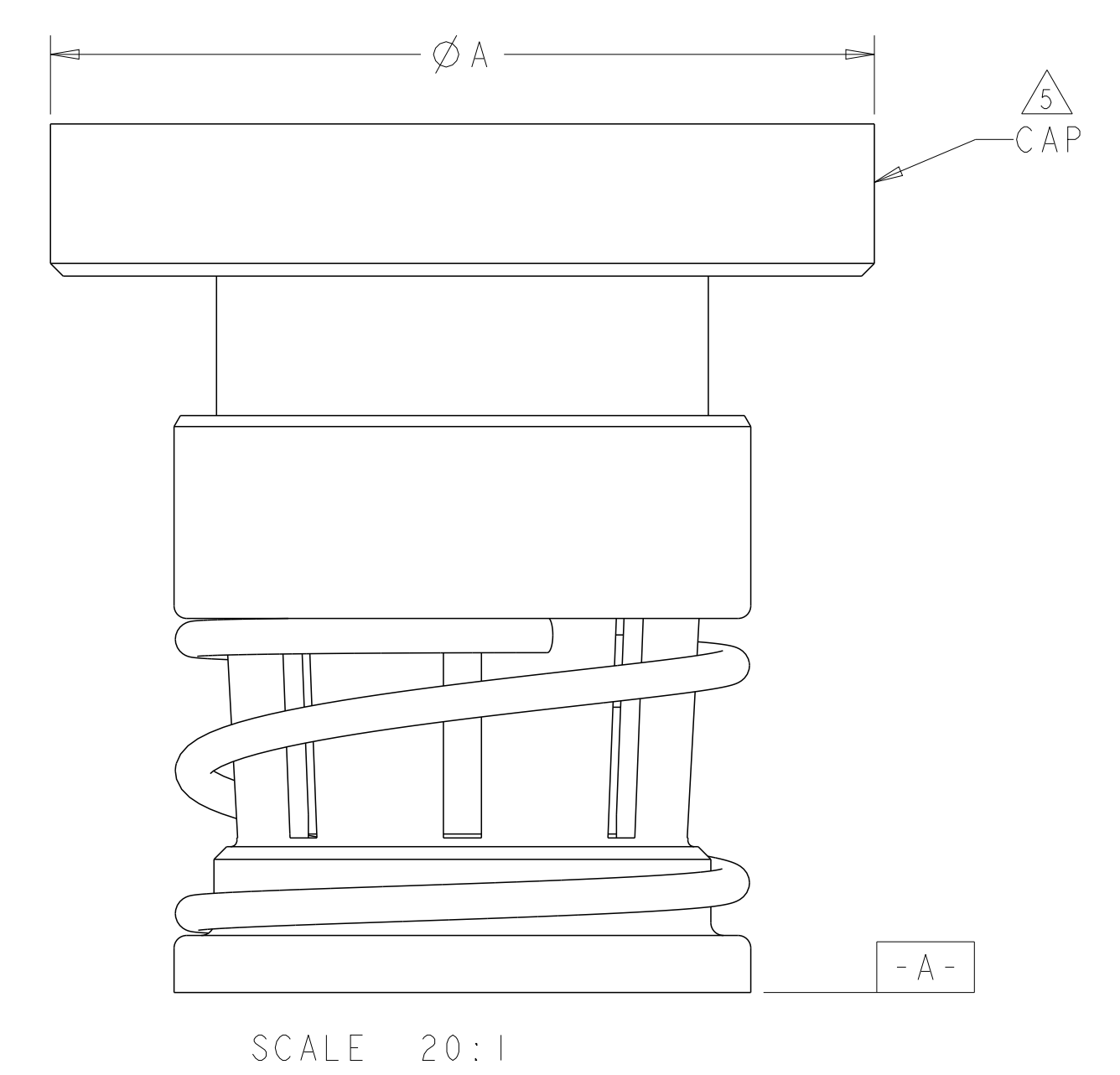


LOC	DIST	REVISIONS					
AG	00	P	LTH	DESCRIPTION	DATE	DWN	APVD
		E2		REVISED PER ECR-18-007695	31MAY2018	BW	RS
		E3		REVISED PER ECR-20-004158	26MAR2020	ED	RS
		F		REVISED PER ECR-20-013676	25SEP2020	ED	RS



- 1 POSITION CENTER CONTACT
- 2 MATERIAL: PHOS - BRONZE, PLATING: 0.3um MIN GOLD OVER 1.27um MIN NICKEL.
- 3 MATERIAL: BRASS, PLATING: 0.3um MIN GOLD OVER 1.27um MIN NICKEL.
- 4 MISALIGNMENT BETWEEN CONNECTOR AXIS AND TARGET PAD, 0.80 mm MAX.
- 5 MATERIAL: PTFE



QTY	DESCRIPTION	PART NUMBER
4.8	750 REELED CONNECTOR	I-1658260-2
4.8	L/P COAX CONNECTOR	I-1658260-1
6.5	750 REELED CONNECTOR	1658260-2
6.5	L/P COAX CONNECTOR	1658260-1

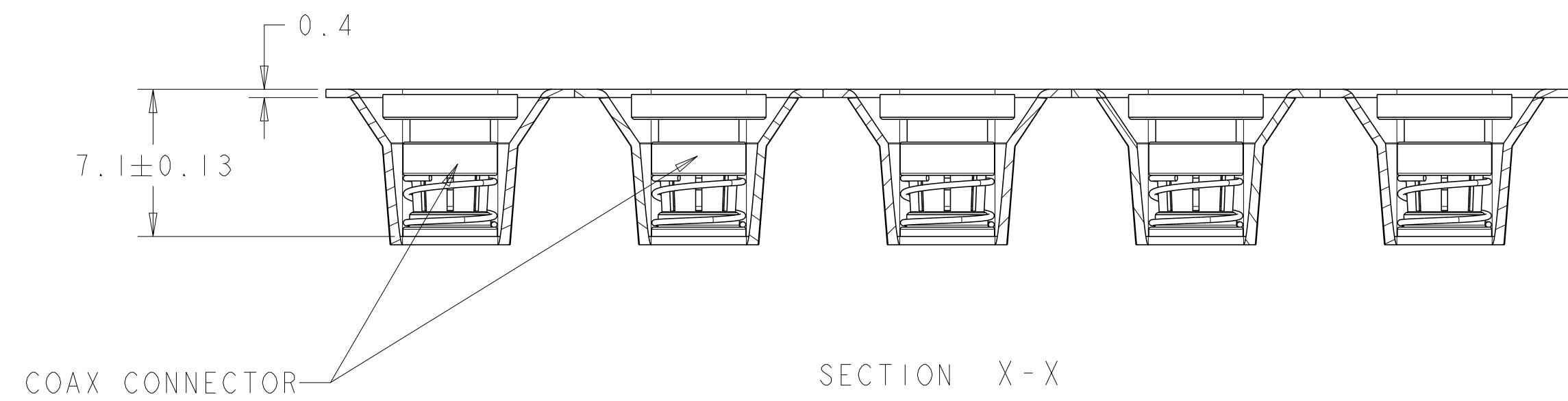
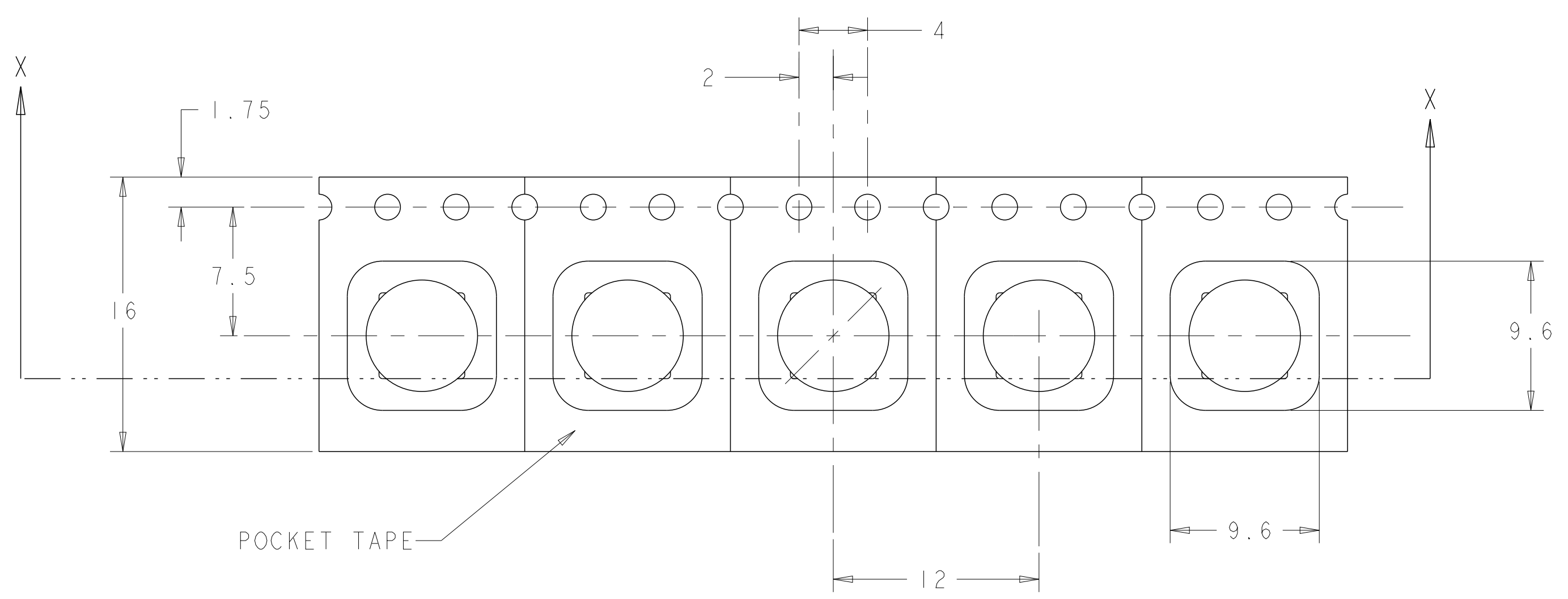
THIS DRAWING IS A CONTROLLED DOCUMENT.

STE TE Connectivity

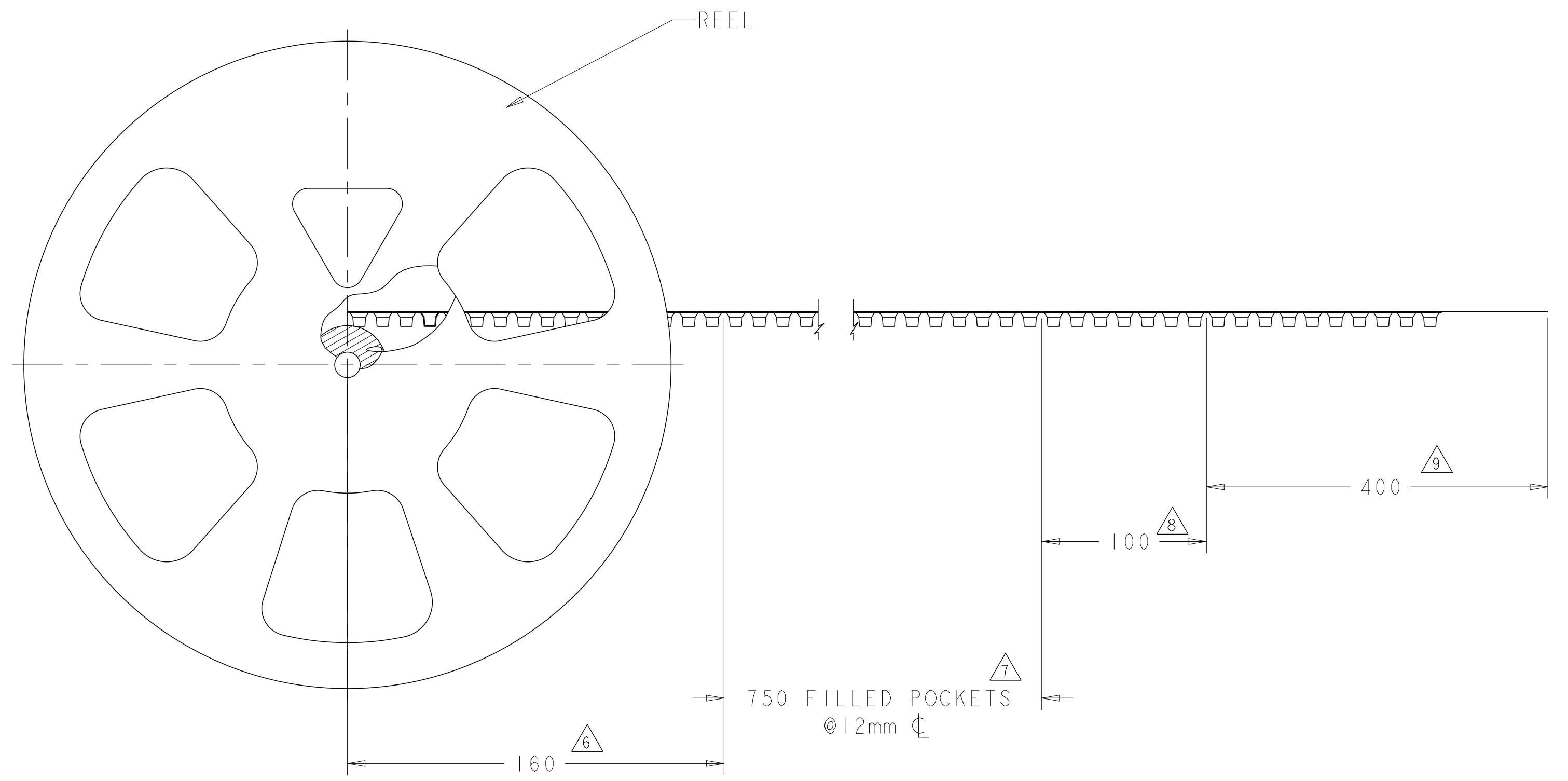
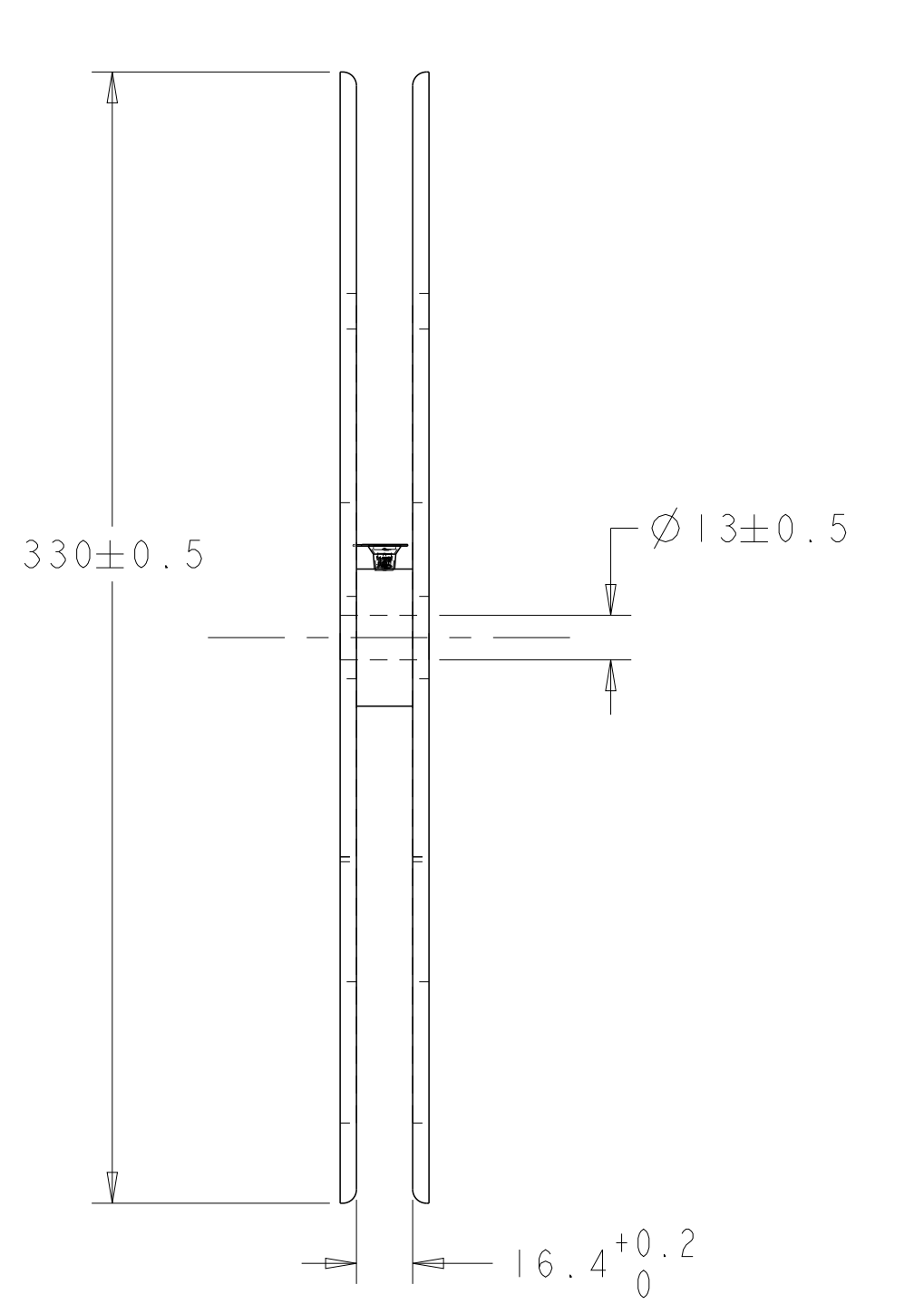
CONNECTOR, COAXIAL, BOARD TO BOARD 4.0 mm HEIGHT

SCALE 40:1 SHEET 1 OF 2 REV F

LOC		DIST		REVISIONS			
AG	00	P	LTH	DESCRIPTION	DATE	DWN	APVD
		-		SEE SHEET 1	-	-	-



- 6. TRAILER, EMPTY POCKETS WITH COVER TAPE.
- 7. CARRIER POCKETS FILLED WITH 1658260-2, WITH COVER TAPE.
- 8. LEADER, EMPTY POCKETS WITH COVER TAPE.
- 9. LEADER COVER TAPE.
- 10. REELED PRODUCT PER SPEC EIA 481



DIMENSIONS:		TOLERANCES UNLESS OTHERWISE SPECIFIED:		REVISIONS	
mm				NO	DATE
0 PLC	±	0.2		1	21 JAN 2003
1 PLC	±	0.2		2	21 JAN 2003
2 PLC	±	0.05		3	21 JAN 2003
3 PLC	±			4	21 JAN 2003
4 PLC	±				
ANGLES	±				
FINISH		±1*			

THIS DRAWING IS A CONTROLLED DOCUMENT.		DWN: HM VAN SCIO 21 JAN 2003		TE Connectivity	
CHK: M. PHILLIPS 21 JAN 2003		APVD: M. PHILLIPS 21 JAN 2003		NAME	
PRODUCT SPEC		APPLICATION SPEC		SIZE: CAGE CODE: DRAWING NO: RESTRICTED TO	
MATERIAL		WEIGHT		A100779C=1658260	
CUSTOMER DRAWING		SCALE: 40:1		SHEET 2 OF 2 REV F	

单击下面可查看定价，库存，交付和生命周期等信息

[>>TE Connectivity\(泰科\)](#)