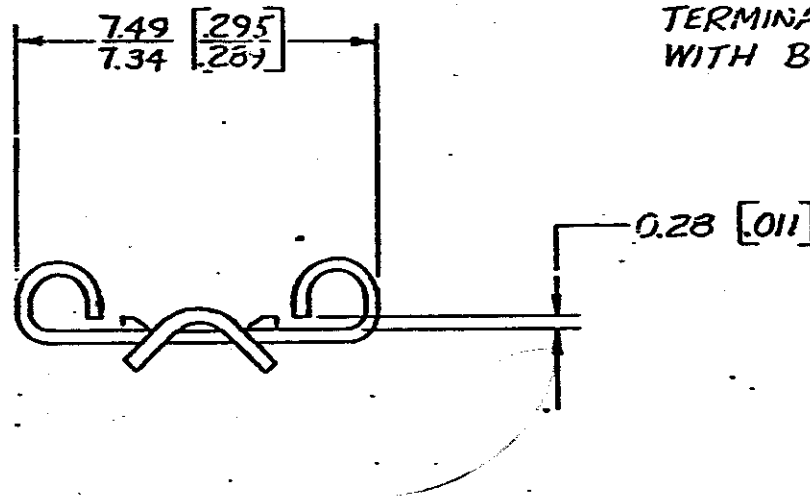
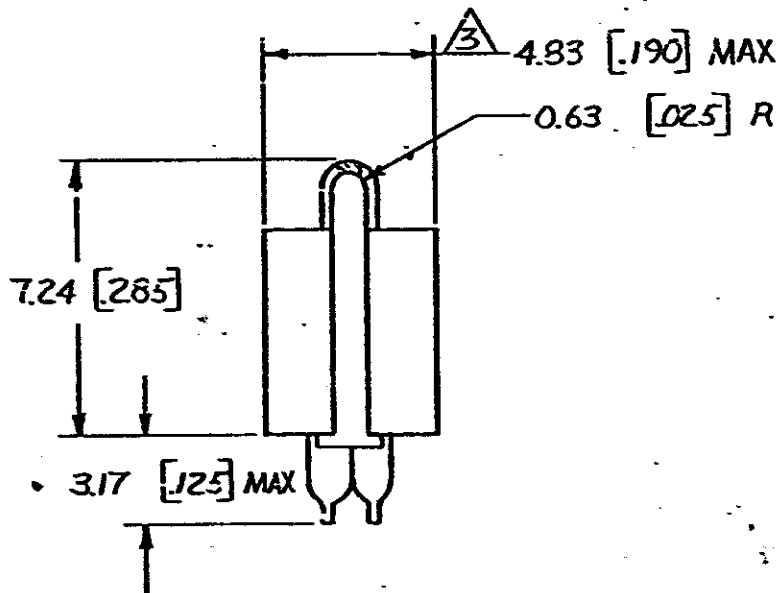


© COPYRIGHT 1978 BY AMP INCORPORATED, HARRISBURG, PA.
 ALL INTERNATIONAL RIGHTS RESERVED. AMP INCORPORATED PRODUCTS
 COVERED BY U. S. AND FOREIGN PATENTS AND/OR PATENTS PENDING.

REVISIONS					
REV	DATE	ZONE	LTR	DESCRIPTION	APPROVED
✓	1/24/65	A		REVISED AF-1146	PMF
✓	8/22/68	B		OBS 62806-1 AF-4436	PMF
✓	9/2/68	C		REV PER AF-4436	PMF/DJB
✓	10/2/68	D		REACTIVATE 62806-1 AF-5992	PMF

1. DIMS IN BRACKETS ARE IN INCHES.
 2. TO BE MOUNTED IN 2.54 ± 0.05 [100 ± .002] DIA HOLE.
- △ MAX DIMENSION REFERS TO THE TERMINAL'S COMPRESSED STATE WITH BOTH PADS TOUCHING.



62751-1	62806-1
STRIP NO.	PART NO LOOSE PIECE

METRIC

UNLESS OTHERWISE SPECIFIED DIMENSIONS ARE IN MM MM TOLERANCES ON DECIMALS ± 0.38 [05] ANGLES ±	CONTRACT NO	AMP INCORPORATED Harrisburg, Pa.
	DR. <i>X. Schaffhauser</i> 8/23/78	
MATERIAL 0.25 [010] THK BRASS	CHK <i>G. Yetter</i> 8-29-78	SIZE B
FINISH TIN	APPD <i>D. Schwink</i> 8-29-78	CODE IDENT NO 00779
	APPO <i>G. Yetter</i> 8-29-78	DRAWING NO 62806
	DSGN APPD	LOOSE PIECE
	OTHER APPD	SHEET
		SCALE

单击下面可查看定价，库存，交付和生命周期等信息

[>>TE Connectivity\(泰科\)](#)