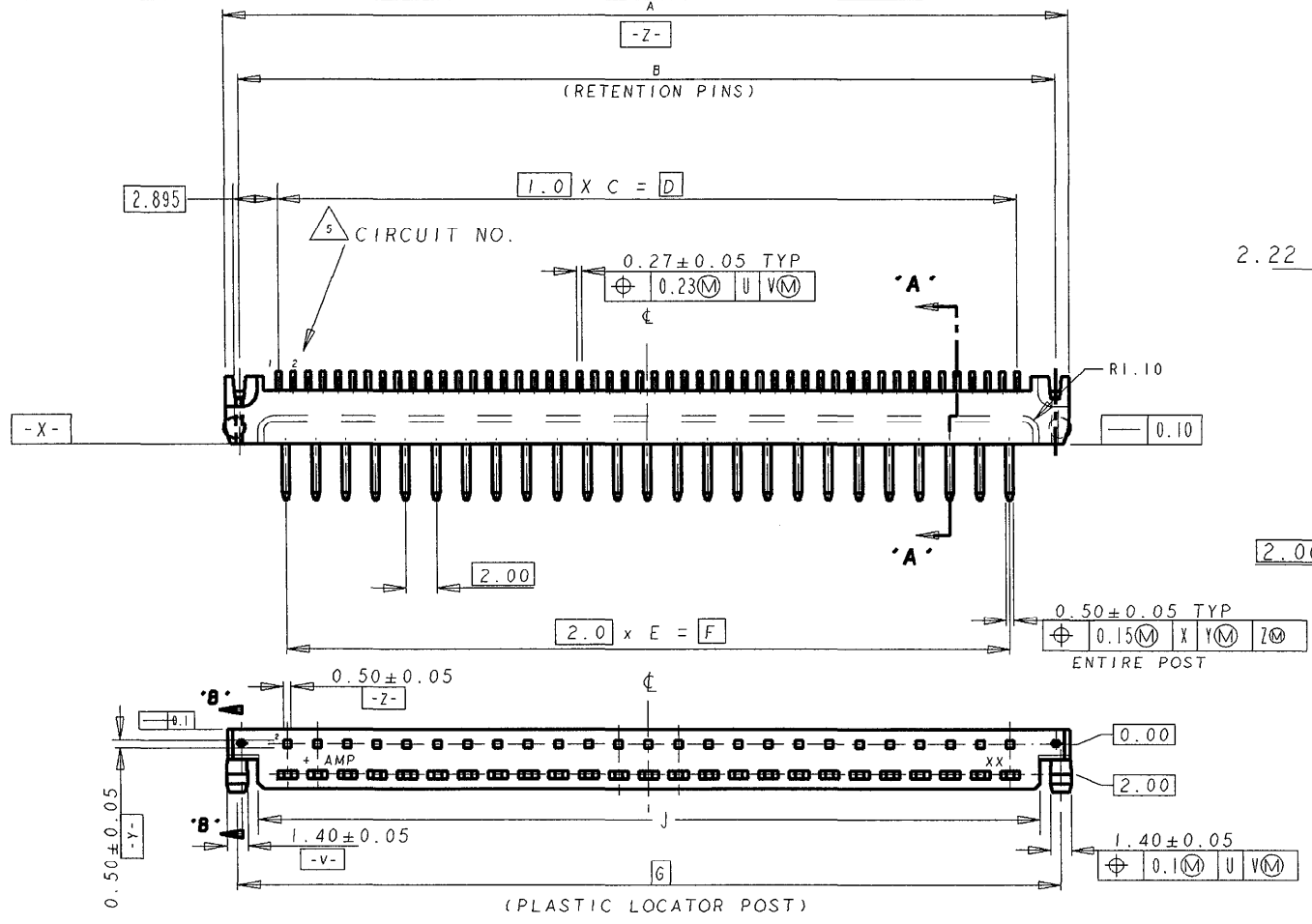
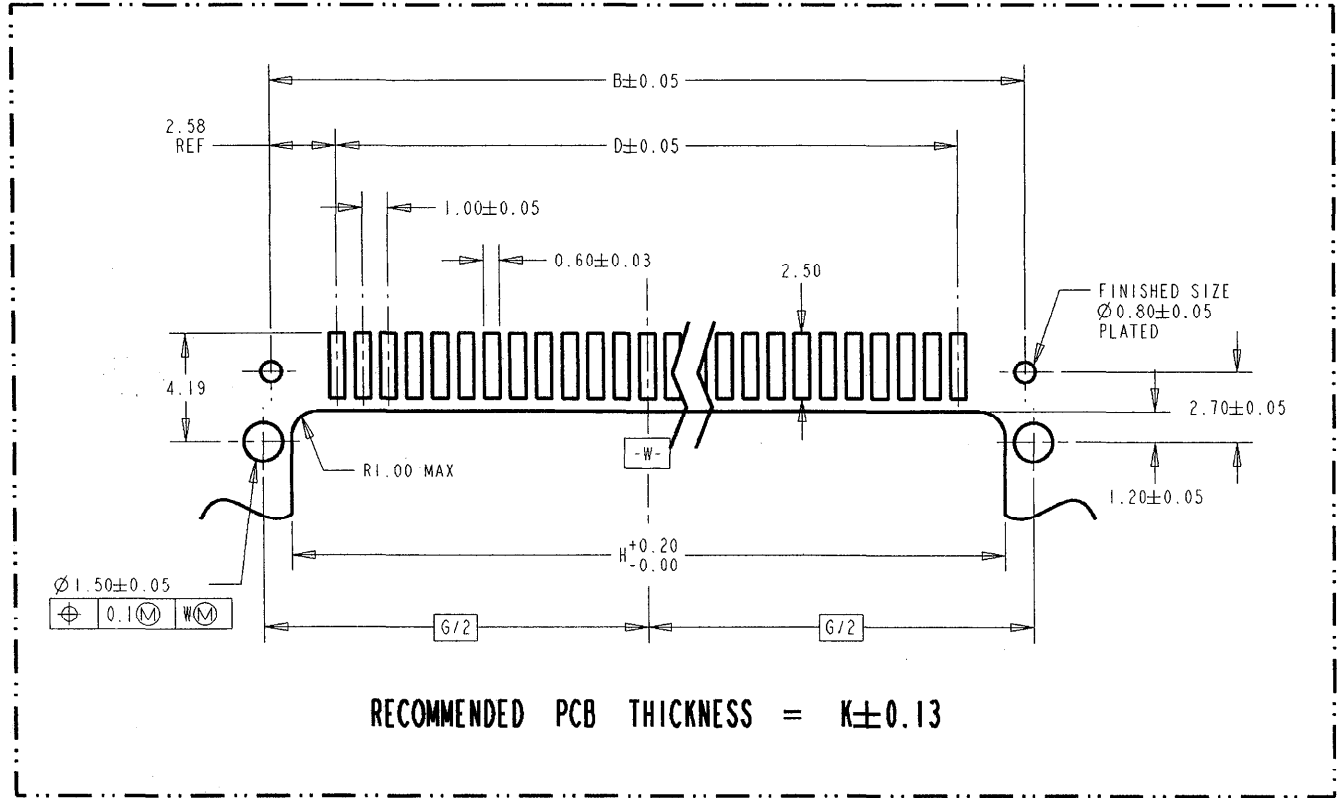
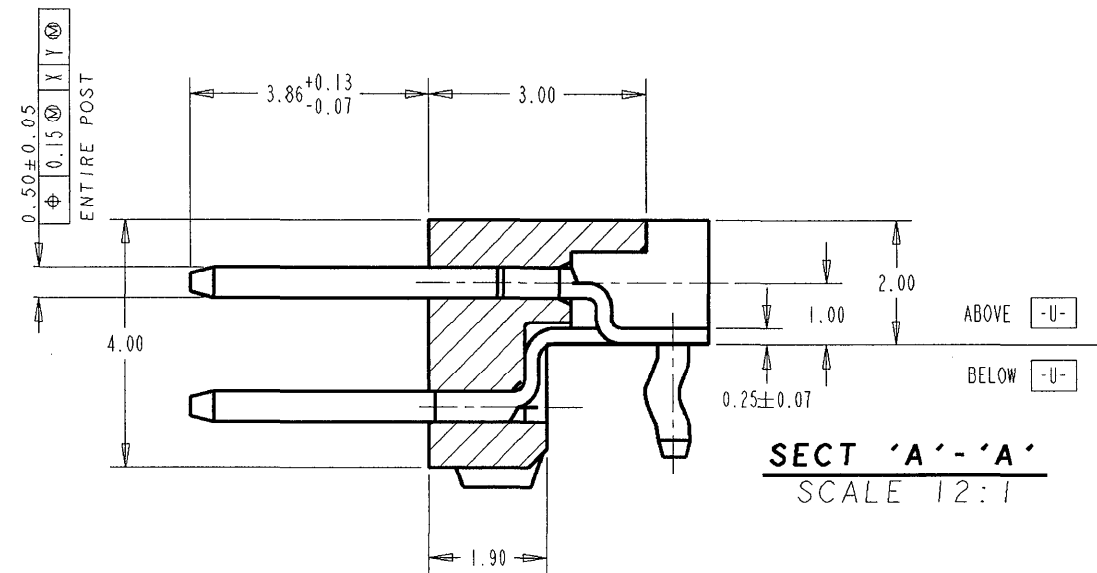


LOC	DIST	REVISIONS				
P	LTR	DESCRIPTION	DATE	DWN	APVD	
DY	-	A1	PART STATUS UPDATED	04JAN2019	SD	PS



- NOTES:
- 1 MATERIAL: HOUSING: PPS, UL94-0, BLACK POST: COPPER ALLOY
 - 2 FINISH: CONTACT AREA: 0.76um GOLD OR GOLD FLASH OVER 0.76um Pd-Ni SOLDER AREA: 2.54um MIN MATTE TIN ALLOY UNDERPLATE: 1.3um MIN NICKEL ALL OVER
 - 3 POSITION NO. FOR REFERENCE ONLY
 - 4 ALL PCB CONTACT SURFACES OF SMT SOLDER TAILS TO BE A MAX OF 0.1 ABOVE $\overline{-U-}$ AND A MAX OF 0.05 BELOW $\overline{-W-}$ SUBJECT TO TOTAL $\overline{0.1}$
 - 5. ALL DIMENSIONS, EXCEPT STRAIGHTNESS TO BE MEASURED WITH BOW REMOVED



ACTIVE	REFER TO PG 2 OF 2	TAPE&REEL	0.8	52.10	52.58	54.79	48	24	49	49	54.15	56.03	-	25,45,46	50	1-5084108-4
ACTIVE	REFER TO PG 2 OF 2	TAPE&REEL	0.8	52.10	52.58	54.79	48	24	49	49	54.15	56.03	-	NIL	50	1-5084108-2
OBSOLETE	-	TRAY	0.8	52.10	52.58	54.79	48	24	49	49	54.15	56.03	-	5, 6, 26	50	5084108-7
OBSOLETE	-	TRAY	0.8	52.10	52.58	54.79	48	24	49	49	54.15	56.03	-844 (AT)	25,45,46	50	5084108-2
OBSOLETE	-	TRAY	0.8	52.10	52.58	54.79	48	24	49	49	54.15	56.03	-840 (SCSI)	24,41,42	50	5084108-1
STATUS	REMARKS	PACKAGING	K	J	H	G	F	E	D	C	B	A	CUST. P/N FOR REF ONLY	POSTS OMITTED	POS	PART NO.

THIS DRAWING IS A CONTROLLED DOCUMENT FOR AMP INCORPORATED. IT IS SUBJECT TO CHANGE AND THE CONTROLLING ENGINEERING ORGANIZATION SHOULD BE CONTACTED FOR THE LATEST REVISION.

DWN: KW YAP 05JUL2005
 CHK: WL CHOO 05JUL2005
 APVD: SE IFONG 05JUL2005

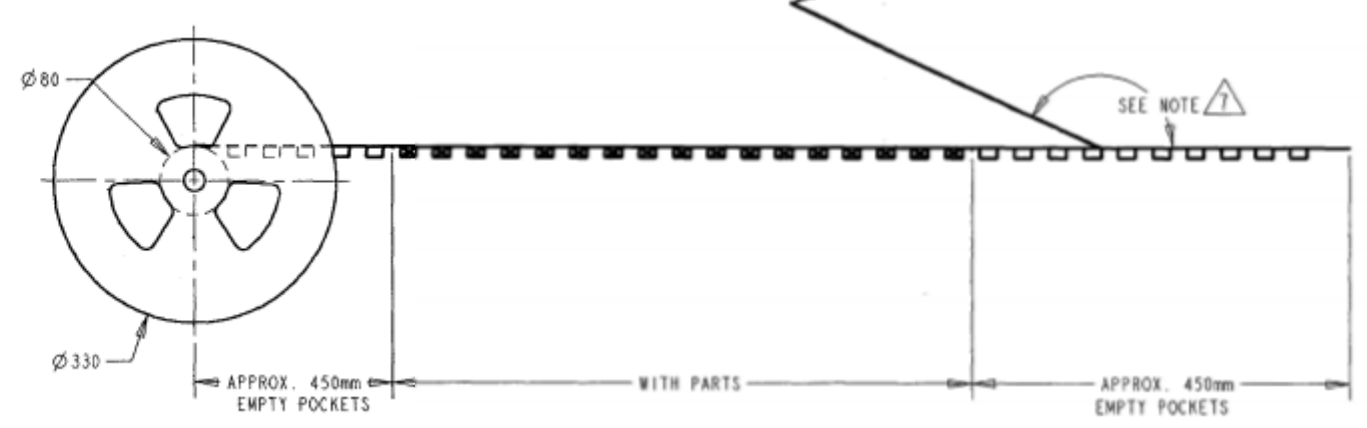
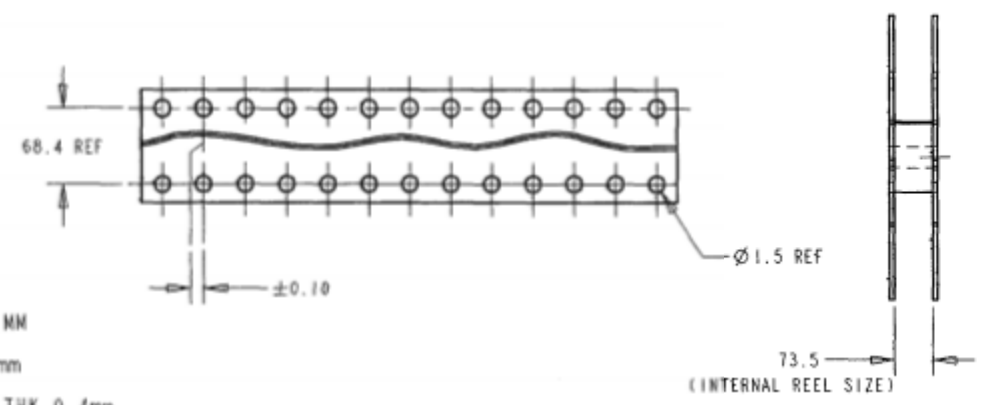
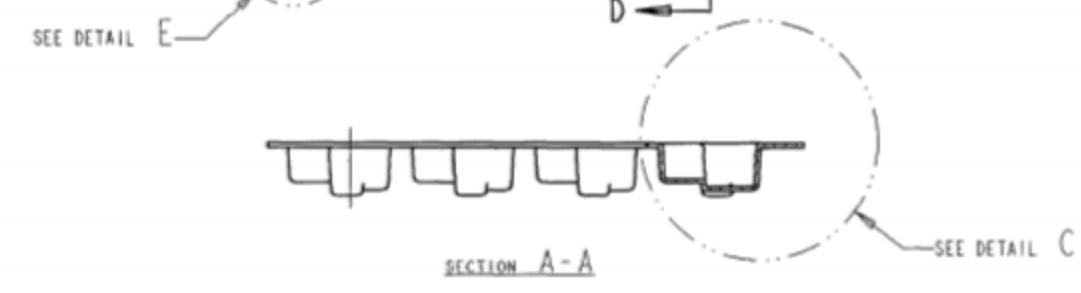
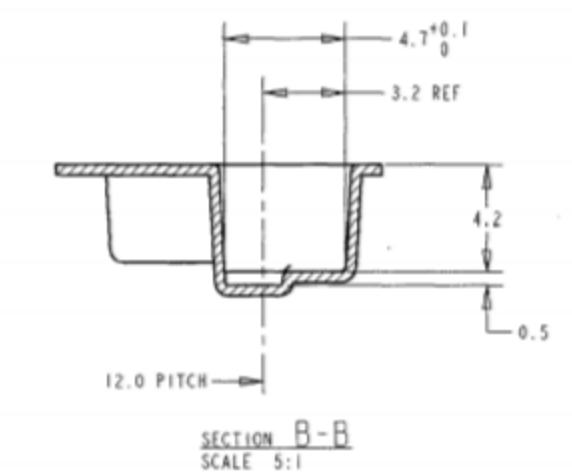
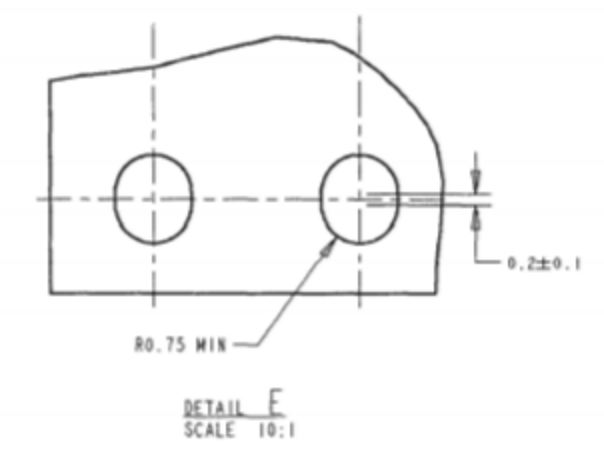
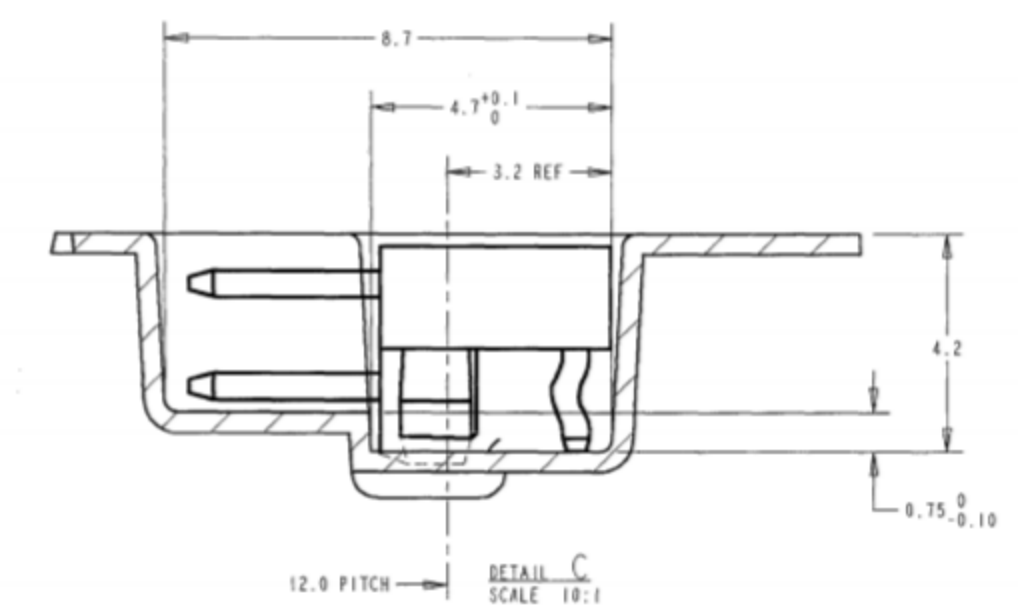
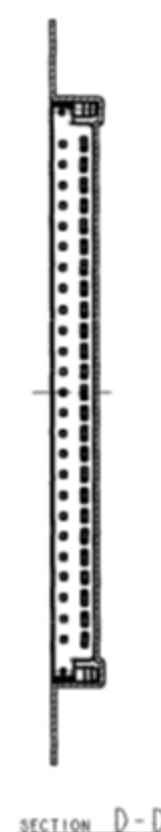
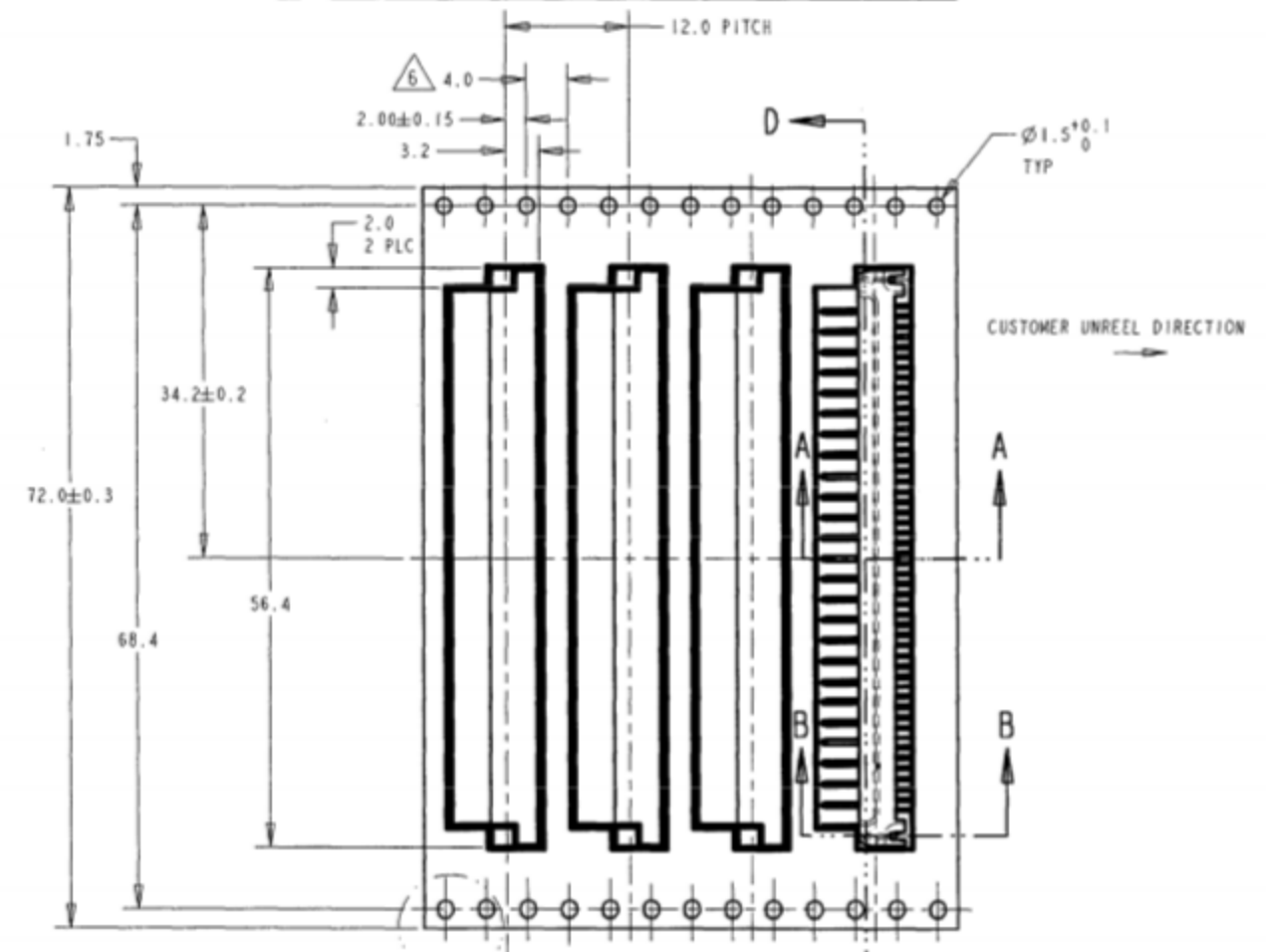
TE Connectivity
 NAME: HEADER ASSEMBLY, 2mm AMPMODU SMT, R/A, D/R

PRODUCT SPEC: -
 APPLICATION SPEC: -
 WEIGHT: -

SIZE: A2 CAGE CODE: 00779 DRAWING NO: C-5084108
 SCALE: 3:1 SHEET: 1 OF 2 REV: A1

CUSTOMER DRAWING

LOC	DIST	REV	DESCRIPTION	DATE	BY	APPD
DY	-	-	SEE SHEET 1	-	-	-



- NOTES:
- ALL DIMENSIONS IN MM
 - GENERAL TOL: ± 0.1 mm
 - MATERIAL: HOUSING THK 0.4mm
 - PACKAGING PER REEL: 1115 POCKETS; OD: 330mm, ID: 100mm
 - QTY PER REEL: 1000 PCS
 10 PITCHES CUMULATIVE TOLERANCE ON TAPE ± 0.2 mm
 - PEELING STRENGTH: 10g-70g
 PEELING ANGLE 165-180
 PEELING SPEED: 300mm/MINUTE
 - TAPE & REEL PACKAGING APPLY TO P/N: 1-84108-2, 1-84108-4

TAPE & REEL PACKAGING

<small>THIS DRAWING IS A CONTROLLED DOCUMENT FOR AMP INFORMATION. IT IS SUBJECT TO CHANGE AND THE CUSTOMER'S ENGINEERING DEPARTMENT SHALL BE NOTIFIED OF ANY CHANGES.</small>		DWS 05JUL2005 KW YAP CKR 05JUL2005 WL CHOO AFVD 05JUL2005 SE LEONG	STE TE Connectivity
DIMENSIONS: mm 	TOLERANCES UNLESS OTHERWISE SPECIFIED: 0 PLC ± 0.2 1 PLC ± 0.2 2 PLC ± 0.25 3 PLC ± 0.3 4 PLC ± 0.3 ANGLES FINISH	PRODUCT SPEC APPLICATION SPEC WEIGHT CUSTOMER DRAWING	NAME HEADER ASSEMBLY, 2mm AMPMODU SMT, R/A, D/R SIZE A2 CAGE CODE 00779 DRAWING NO C-5084108 SCALE 3:1 SHEET 2 OF 2 REV A1

单击下面可查看定价，库存，交付和生命周期等信息

[>>TE Connectivity\(泰科\)](#)