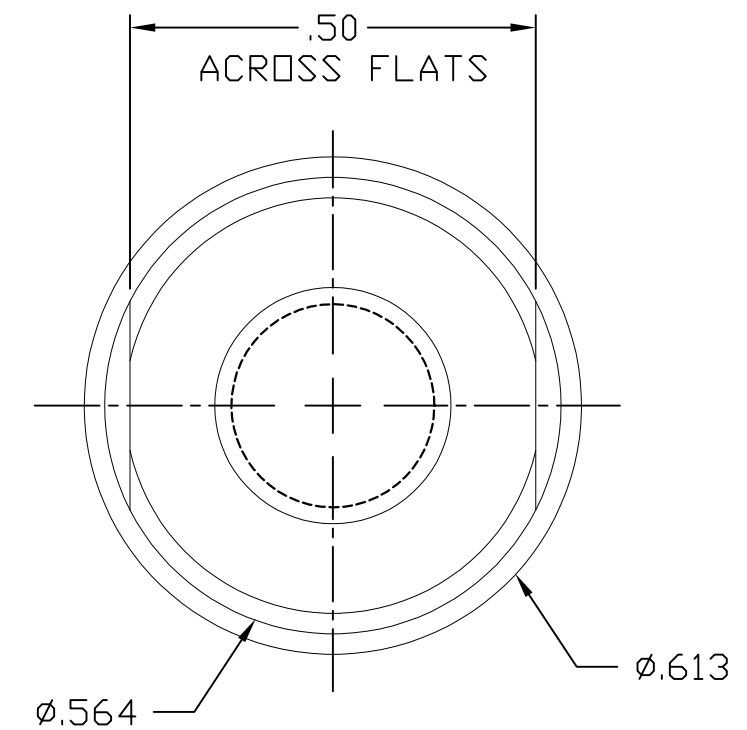
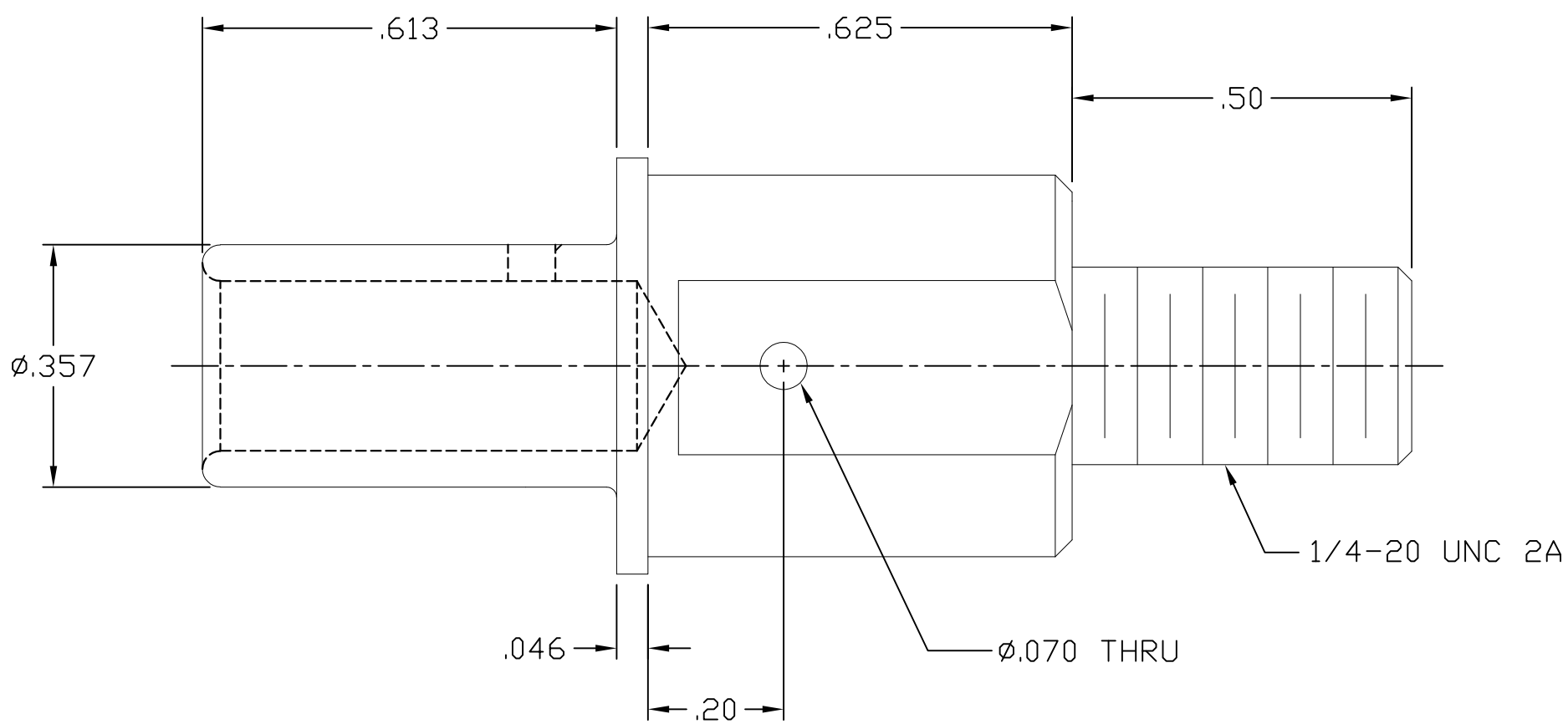


THIS DRAWING IS UNPUBLISHED. RELEASED FOR PUBLICATION  
 © COPYRIGHT BY TYCO ELECTRONICS CORPORATION. ALL RIGHTS RESERVED.

LOC	DIST	REVISIONS					
GP	00	P	LTR	DESCRIPTION	DATE	DWN	APVD
		C		REV PER ECO-08-000391	8JAN2008	RG	DO



- 3. FINISHES:  
 PIN CONTACT: SILVER PLATE, .000200 MIN THICK  
 OVER NICKEL, .000050 MIN THICK
- 2. MATERIAL:  
 PIN CONTACT: COPPER ALLOY.
- 1. PART NUMBER CHANGES AND OR DESIGN CHANGES AFFECTING  
 ITEM INTERCHANGEABILITY REQUIRE PRIOR TYCO ELECTRONICS  
 APPROVAL AND AUTHORIZATION BY REVISION TO THIS DRAWING.

AS SHOWN	1766270-1
DESCRIPTION	PART NUMBER

THIS DRAWING IS A CONTROLLED DOCUMENT.		DWN	3/24/06		Tyco Electronics Corporation	
		CHK	RFA/GRZYBOWSKI		Harrisburg, PA 17105-3608	
DIMENSIONS: INCHES		APVD	S.FLICKINGER		NAME	
TOLERANCES UNLESS OTHERWISE SPECIFIED:		PRODUCT SPEC	-		CONTACT, PIN, SIZE NO. 0	
0 PLC ± -		APPLICATION SPEC	-		1/4-20 EXT THD.	
1 PLC ± -			-		DOUBLE CROWN, DRAWERS	
2 PLC ± .02		SIZE	CAGE CODE	DRAWING NO	RESTRICTED TO	
3 PLC ± .010						
4 PLC ± -		WEIGHT				
ANGLES ± .5						
MATERIAL	FINISH	A3 00779		C-1766270		
-	-	CUSTOMER DRAWING		SCALE	SHEET	REV
				4:1	1 OF 1	C

单击下面可查看定价，库存，交付和生命周期等信息

[>>TE Connectivity\(泰科\)](#)