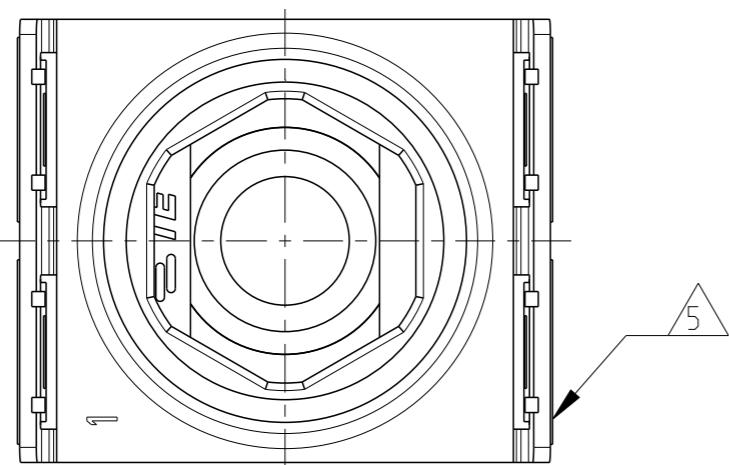
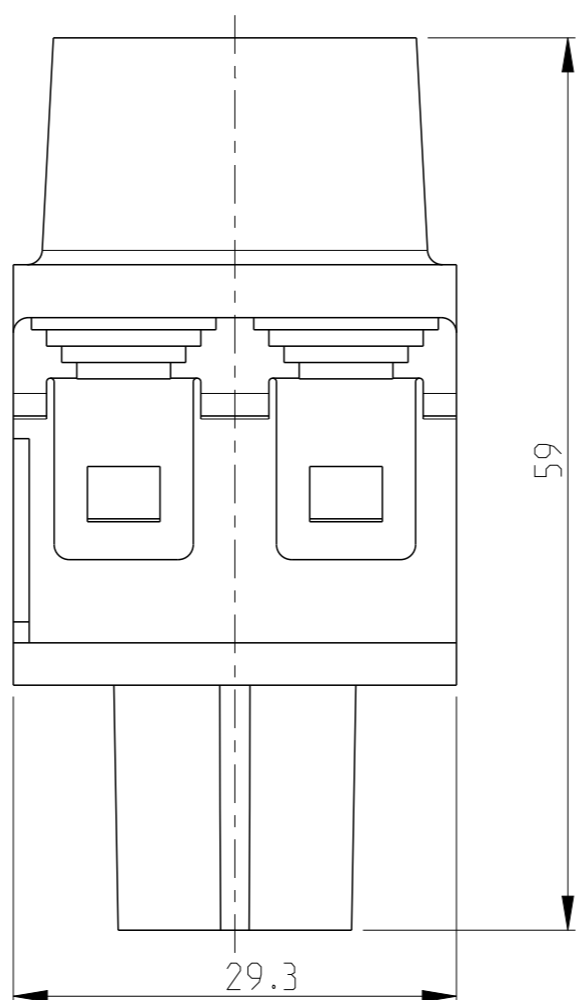
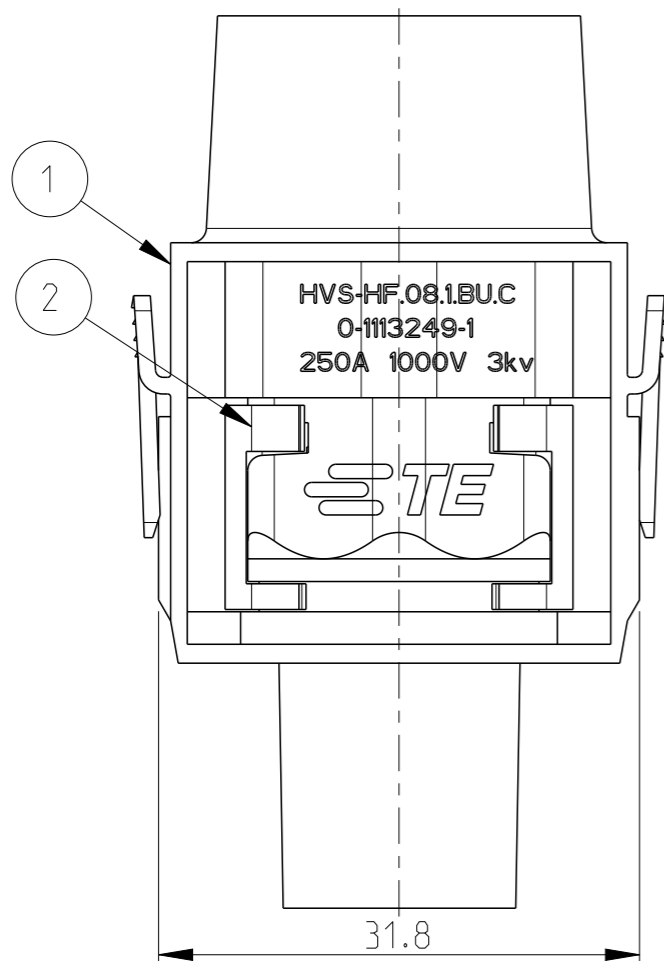
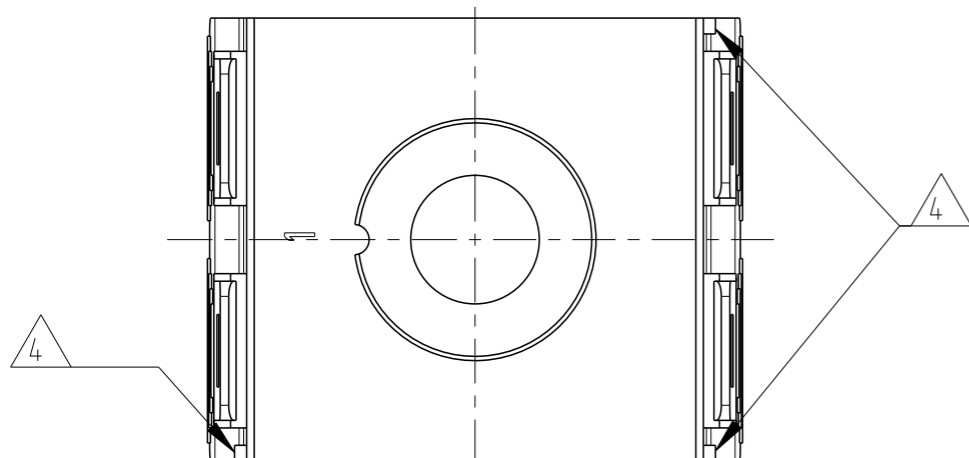


CONTACT ARRANGEMENT VIEW FROM CONNECTING SIDE

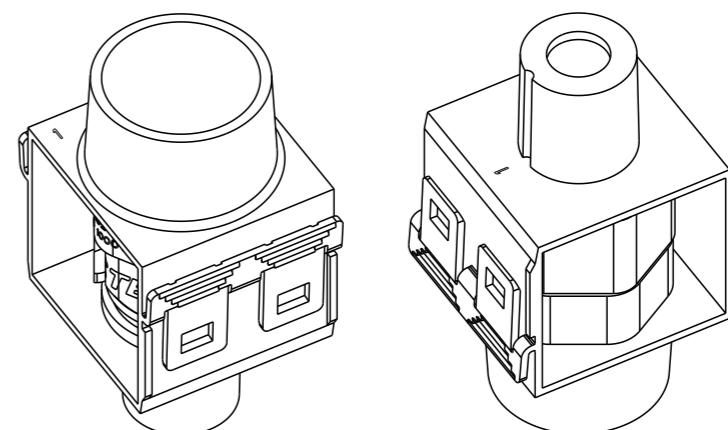


CONTACT ARRANGEMENT VIEW FROM TERMINATION SIDE

LOC	DIST	REVISIONS				
P	LTR	DESCRIPTION	DATE	DWN	APVD	
A1	-	B1	ECR-10-021590	25.10.2010	SR	OH
		B2	ECR-11-013031	22JUN2011	SR	AP
		C	ECR-15-007331	15MAY2015	GSK	JB

NOTES

- 1 SUITABLE CRIMP CONTACTS: SERIES HF8
CUSTOMER DRAWING: 1103038: 1103038-1
- 2 SUITABLE CRIMP BARRELS: SERIES HF.06/08
CUSTOMER DRAWING: 1110952
OUTER DIMENSIONS OF WIRE: MAX. Ø18.5mm
- 3 SUITABLE MODULE FIXING FRAME: SERIES HVS SIZE 3 TO 8
CUSTOMER DRAWING: 1103250
- 4 POLARIZATION RIBS
- 5 MARKING OF POLARIZATION ACCORDING TO MARKING OF
MODULE FRAME
- 6 PACKAGING:
10 PIECES IN A CARTON, PRE MOUNTED



QTY	DESCRIPTION	MATERIAL	COLOR	ITEM NO
1	FIXING CLIP	PA66 - GF25	BLACK	2
1	FEMALE INSERT	PBT - GF10	LIGHT GREY	1

PN 0-1 AS SHOWN

HVS.HF.08.1.BU.C		DWN 16.02.2006 SCHNEIDER		 TE Connectivity
NAME FEMALE INSERT HVS-HF.08.1.BU.C		CHK 17.02.2006 H.BRAUN		
PRODUCT SPEC 108-74044		APVD 17.02.2006 T.SCHNURPFIL		RESTRICTED TO
APPLICATION SPEC 114-74079		WEIGHT		
SIZE A3	CAGE CODE 00779	DRAWING NO C=1103249		
CUSTOMER DRAWING		SCALE 5:1	SHEET 1 OF 1	REV C

THIS DRAWING IS A CONTROLLED DOCUMENT.	
DIMENSIONS: mm	TOLERANCES UNLESS OTHERWISE SPECIFIED: ISO 8075 DIN ISO 2768 mH-E DIN 16901-120
	0 PLC ±
	1 PLC ±
	2 PLC ±
	3 PLC ±
	4 PLC ±
	ANGLES ±1°
MATERIAL	FINISH

单击下面可查看定价，库存，交付和生命周期等信息

[>>TE Connectivity\(泰科\)](#)