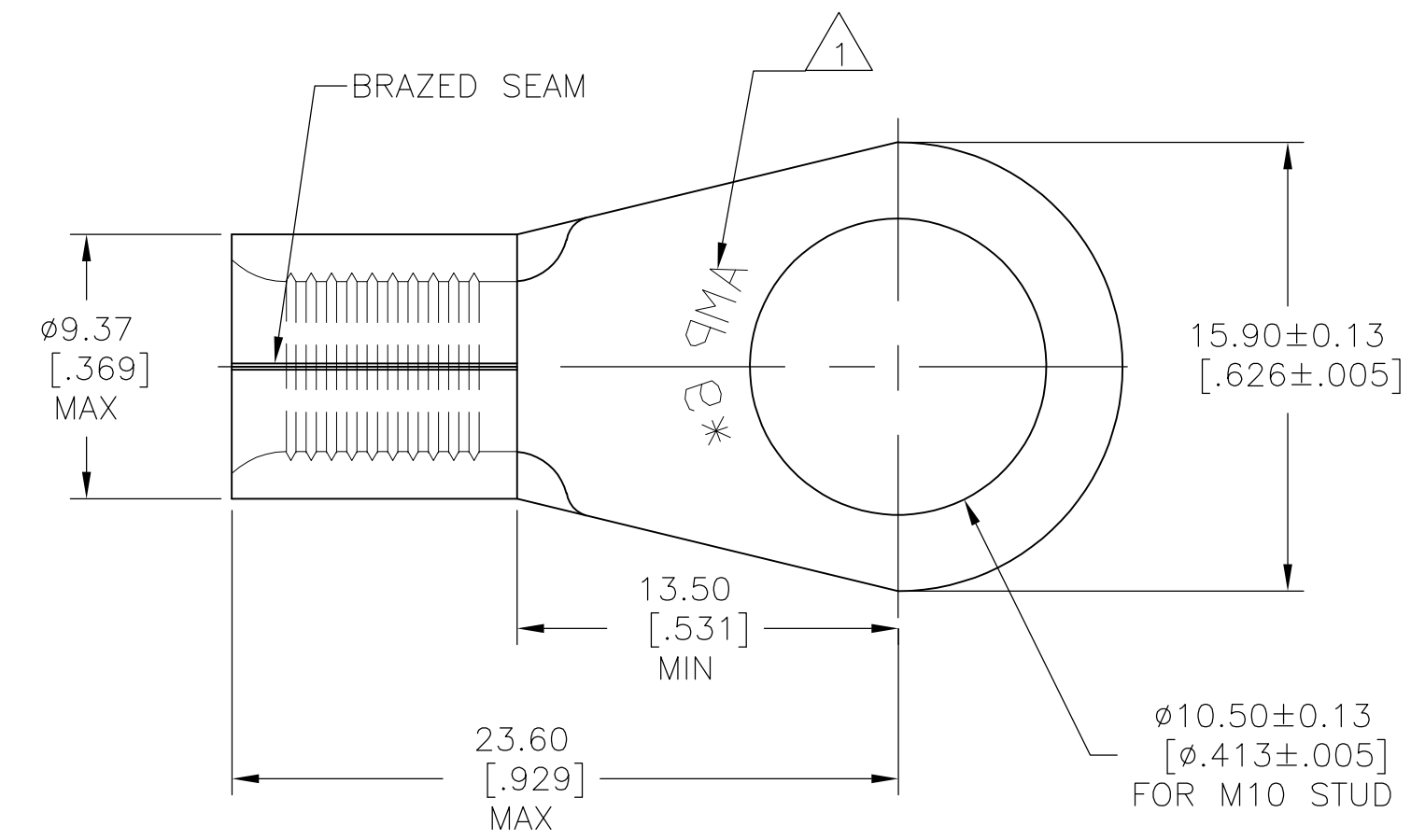


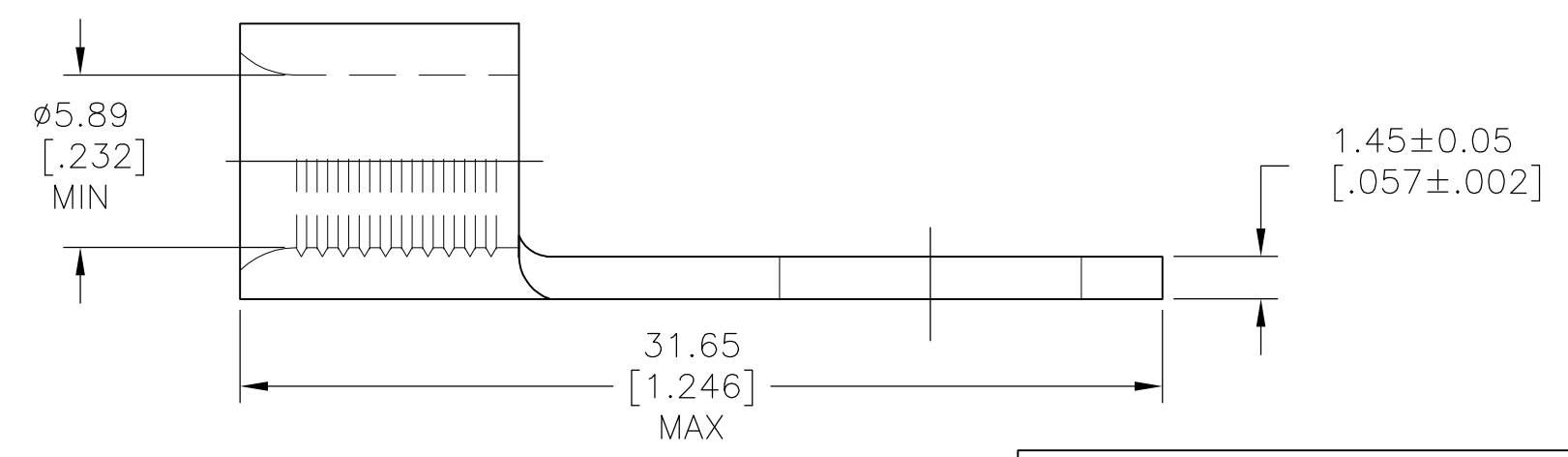
THIS DRAWING IS UNPUBLISHED. RELEASED FOR PUBLICATION
 © COPYRIGHT - BY TYCO ELECTRONICS CORPORATION. ALL INTERNATIONAL RIGHTS RESERVED.

| LOC | DIST | REVISIONS | | | | | |
|-----|------|-----------|-----|---------------------------|---------|-----|------|
| G | 14 | P | LTR | DESCRIPTION | DATE | DWN | APVD |
| | | B1 | | REVISED PER ECO-10-021669 | 26OCT10 | HMR | DR |



AMP
 WIRE RANGE
 6 AWG
 SOLID OR STRANDED

- △1 STAMP AMP 6* APPROX AS SHOWN
- △2 MATERIAL: COPPER PER ASTM B-152, ANNEALED
- △3 FINISH: TIN PLATE 0.00254[.000100] MIN EXT THK PER ASTM B-545



160032
 PART NO

| | | | | |
|--|--|---------------------------------|---|-----------|
| THIS DRAWING IS A CONTROLLED DOCUMENT. | | DWN jr_ruth 09JUN04 | Tyco Electronics Corporation Harrisburg, PA 17105-3608 | |
| DIMENSIONS: mm [INCHES] | | CHK T MICHELUTTI 09JUN04 | NAME | |
| TOLERANCES UNLESS OTHERWISE SPECIFIED: | | APVD T MICHELUTTI 09JUN04 | WIRE TERMINAL SOLISTRAND RING TONGUE 6 AWG - M10 | |
| 0 PLC ± - | | PRODUCT SPEC | SIZE | CAGE CODE |
| 1 PLC ± - | | APPLICATION SPEC | A3 | 00779 |
| 2 PLC ± - | | WEIGHT | DRAWING NO | |
| 3 PLC ± - | | | G-160032 | |
| 4 PLC ± - | | | RESTRICTED TO | |
| ANGLES ± - | | | | |
| MATERIAL | | | SCALE | SHEET |
| △2 | | | 4:1 | 1 OF 1 |
| FINISH | | | REV | B1 |
| △3 | | CUSTOMER DRAWING | | |

单击下面可查看定价，库存，交付和生命周期等信息

[>>TE Connectivity\(泰科\)](#)