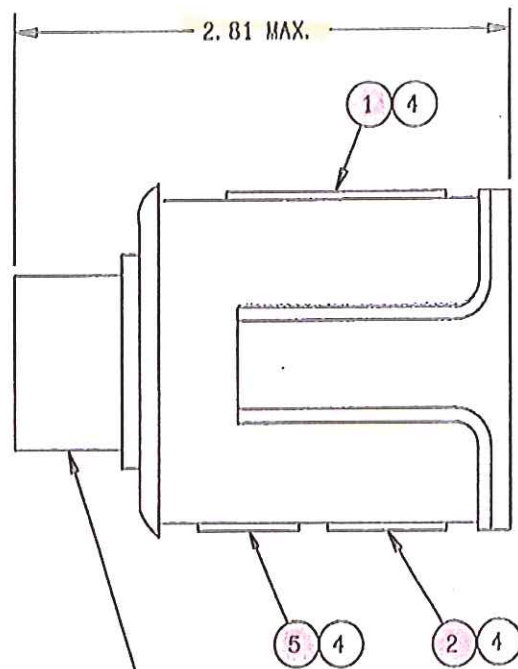
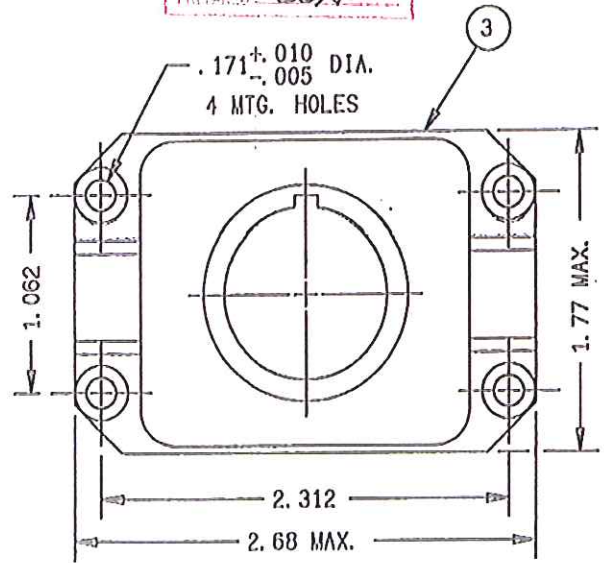
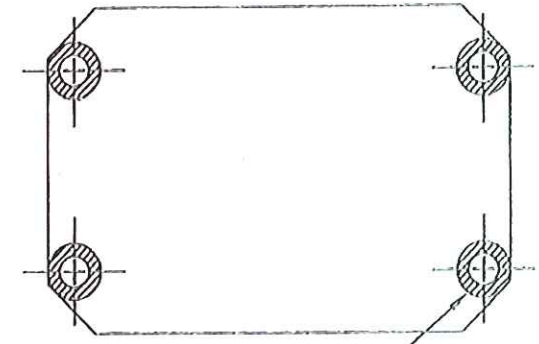


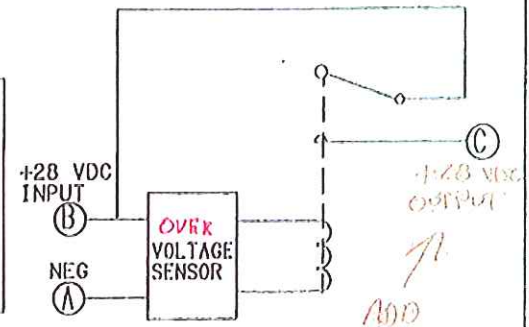
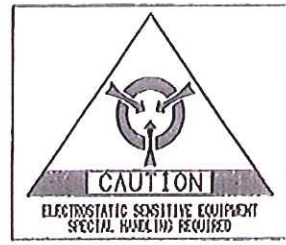
DRAWING NO. 14-013073
 DATE 9-2-14
 APPROVED: [Signature]
 PREPARED: DSH



REV	DESCRIPTION	DATE	APPROVED
A	ADDED ITEM #3 45666-010 PRIMARY ASSEMBLY	01/12/14	CC
B	ADDED ITEM 5, ESD SYMBOL & REVISED INT RELEASED DATE	06/03/10	CB
C	MARKUP WAS INAPPROPRIATE IN CAL TEC	06/03/10	CB
D	ADDED BOTTOM VIEW	07/03/12	CB



AMPHENOL CONNECTOR PT1H-12-10P



CONSTRUCTION

METAL CASE, POTTED ASSEMBLY WITH CONTACTS HERMETICALLY SEALED

MIN. OPER. CYCLES
 ENVIRONMENTAL DATA
 OPER. TEMP.
 CONTACT DATA
 CONTACTS
 CONTACT RATING
 RESISTIVE
 INDUCTIVE
 WEIGHT MAX.

50,000
 -55°C TO +71°C
 SPST N.O.
 5 AMP
 1 AMP
 0 OZ.

OPERATING CHARACTERISTICS:

CONTACTS CLOSE AT 24.5 ± 0.5 VDC WITH A 1 ± 0.15 SEC. TIME DELAY. CONTACTS OPEN AT 30 ± 0.5 VDC WITH A 0.30 TO 0.60 SECOND TIME DELAY AND AT 34 ± 0.5 VDC WITH A 40 TO 60 MILLISECOND TIME DELAY. CONTACTS RECLOSE WHEN THE VOLTAGE DECREASES TO 28.5 ± 0.5 VDC FROM AN OVERVOLTAGE CONDITION. CONTACTS OPEN AT 16 ± 0.5 VDC WITH A TIME DELAY OF 0.50 ± 0.10 SECONDS

NOTE: CONTACTS WILL NOT CLOSE ON REVERSED INPUT VOLTAGE POLARITY.

ITEM NO	QTY	PART OR IDENTIFYING NO	DESCRIPTION	FSCU NO	DRAWING OR SPECIFICATION	MATERIAL OR NOTE
5	1	41211-001	PLATE ESD			
4	3	39529-001	OVERLAY			
3	1	45666-010	RELAY ASSEMBLY PRI.			
2	1	40453-001	PLATE - WIRING DIAGRAM			
1	1	16043-001	PLATE - NAME			

UNLESS OTHERWISE SPECIFIED DIMENSIONS ARE IN INCHES TOLERANCES ON			Tyco Electronics Hatfield Division, 175 H. DIXON STREET HATFIELD, OHIO 45002	
2 PL DEC.	3 PL DEC.	ANGLES		
± .02	± .010	± 1	DR BY: EAD 01/12/14 CHK BY: CC 03/02/13 ENGR: RSS 03/02/13 MFG: MH 03/02/13 SIZE: C CODE IDENT: 74063 SCALE: NONE SHEET	MONITOR, EXTERNAL POWER 093 DWG NO. E-311AAJ REF TYCO P/N 2-1616542-8

CM
7/16/10
PSS
7/16/10
ADD
7/16/10

单击下面可查看定价，库存，交付和生命周期等信息

[>>TE Connectivity\(泰科\)](#)