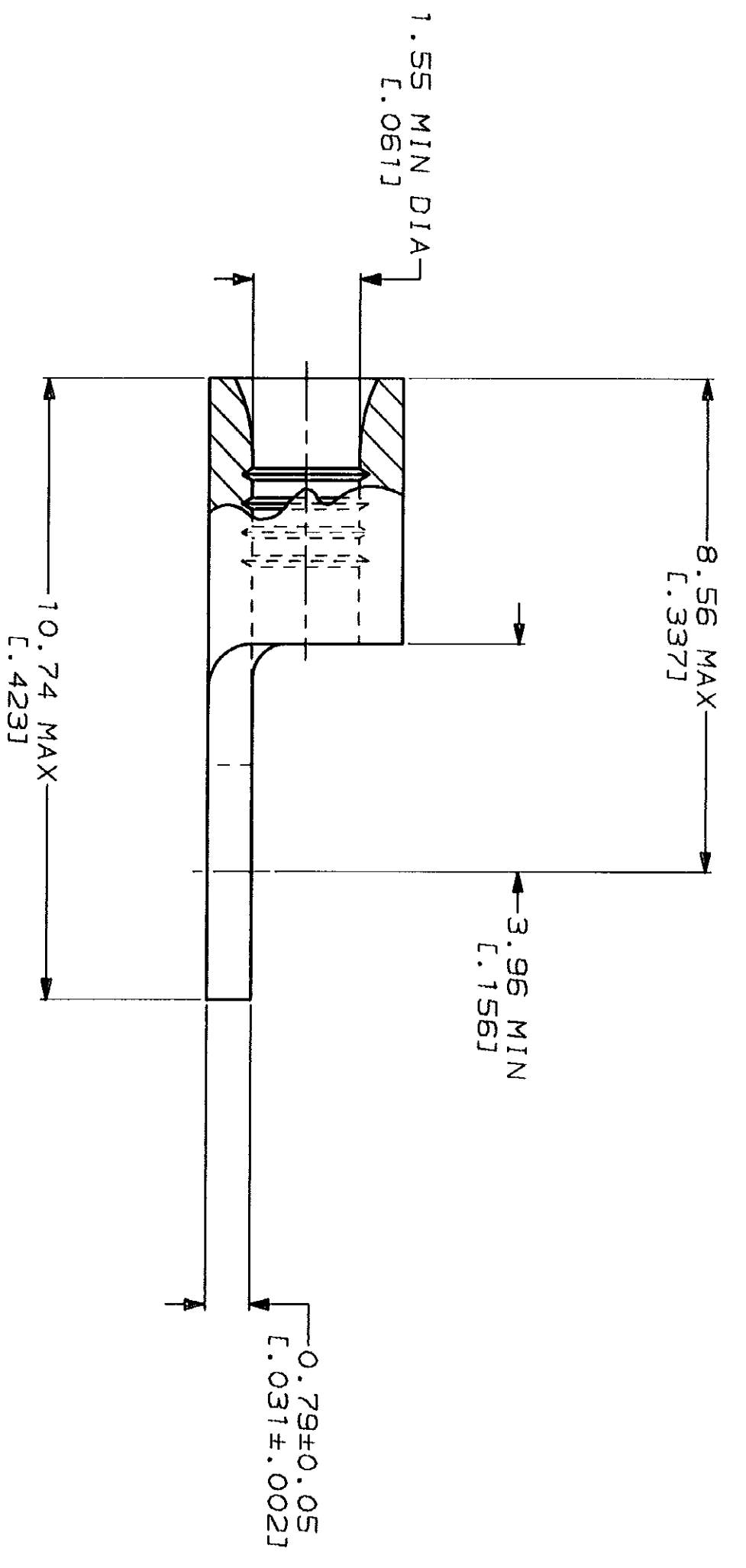
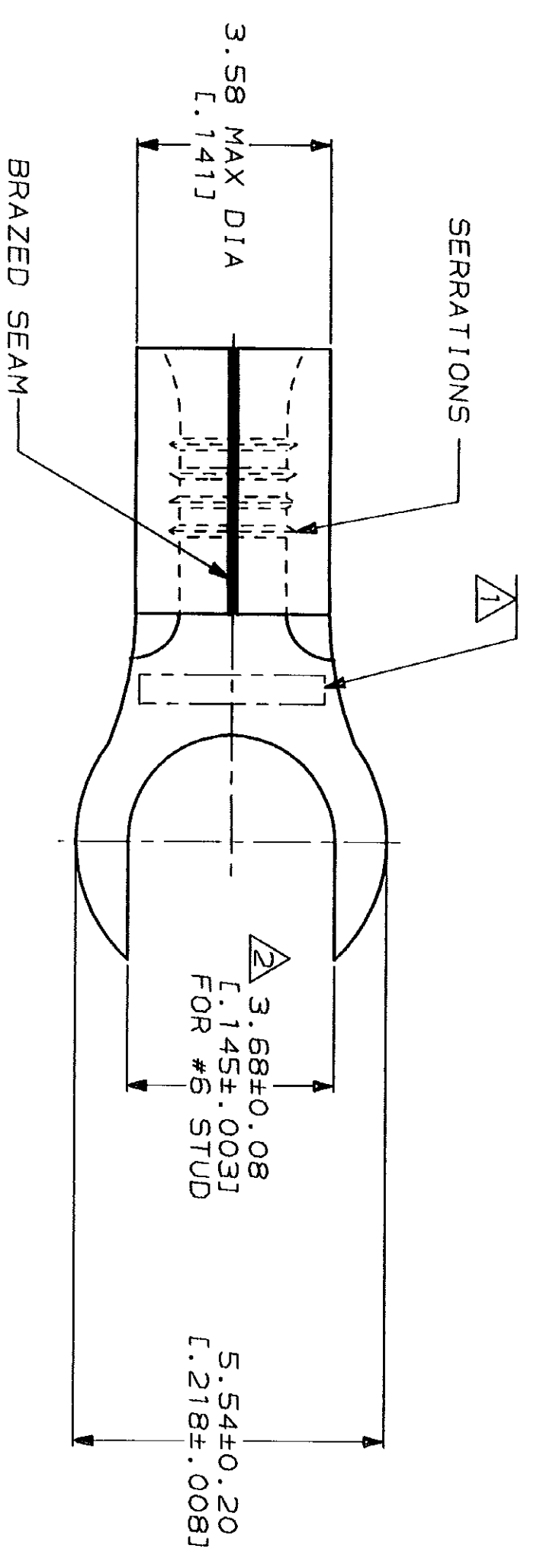
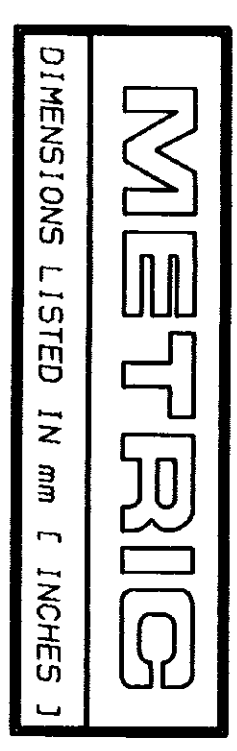


LOC	DIST	REV	ZONE	LTR	DESCRIPTION	DATE	APPD
G	14	P		H	REV 8 REDRAWN PER 0720-0040-93	4-8-93	18 DAF



<b>AMP</b> WIRE RANGE	<b>IL</b> E13288 Listed
22-16 AWG SOLID OR STRANDED	22-16 AWG SOLID OR STRANDED
<b>LR7189</b> Certified	MILITARY P/N AND CLASS
22-16 AWG SOLID OR STRANDED	NOT APPLICABLE

△ STAMP AMP 22-18\* APPROX AS SHOWN  
 22-16 TERMINALS ARE STAMPED 22-18 IN  
 ACCORDANCE WITH MILITARY SPECIFICATION  
 MIL-T-7928, COMMERCIAL WIRE RANGE IS 22-16  
 MINIMUM DIMENSION ACROSS TIPS OF SLOT TO BE  
 .130 FOR PART NUMBER 2-321289-1

**AMP INCORPORATED  
 CUSTOMER SERVICE SYSTEMS**

FOR ADDITIONAL PRODUCT INFORMATION OR COPIES OF DRAWINGS AND TECHNICAL DOCUMENTS	PRODUCT INFORMATION CENTER 1-800-522-6752
FOR APPLICATION TOOLING INFORMATION	TOOLING ASSISTANCE CENTER 1-800-722-1111
FOR ORDER ENTRY	1-800-526-5142

DO NOT SCALE PRINT. UNLESS SPECIFIED DIMENSIONS IN -mm- (INCHES)- TOLERANCES ON: 2 PLC DEC ± 3 PLC DEC ± ANGLES	DR 4-8-93 TA BRINKMAN CHK 4-8-93 DA PATTERSON	NAME <b>AMP</b> AMP Incorporated Harrisburg, PA 17105-3508
MATERIAL COPPER PER ASTM B-152 ANNEALED	APPD 4-8-93 DE MILLER APPD 4-8-93 JL MECKLEY	TERMINAL, SLOTTED RING TONGUE, SOLISTRAND™
FINISH TIN PLATE	APPLICATION SPEC	SIZE CAGE CODE 00779 DRAWING NO 321289
0.00254 [0.00100] MIN THK PER MIL-T-10727	WEIGHT	SCALE 10:1

5000	ON TAPE	2-321289-1
---	LOOSE PIECE	321289
QUANTITY	PACKAGING TYPE	PART NO

单击下面可查看定价，库存，交付和生命周期等信息

[>>TE Connectivity\(泰科\)](#)