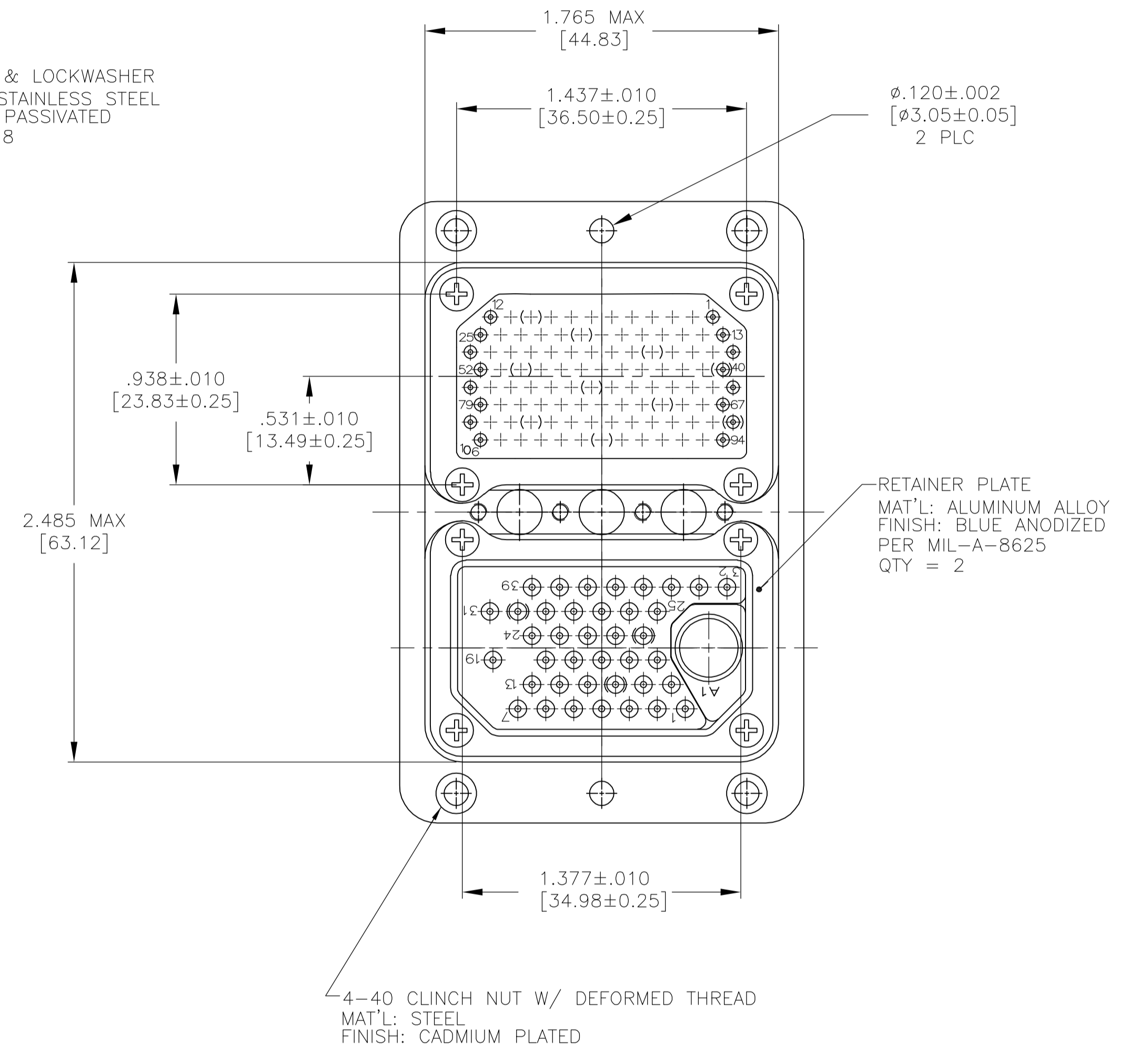
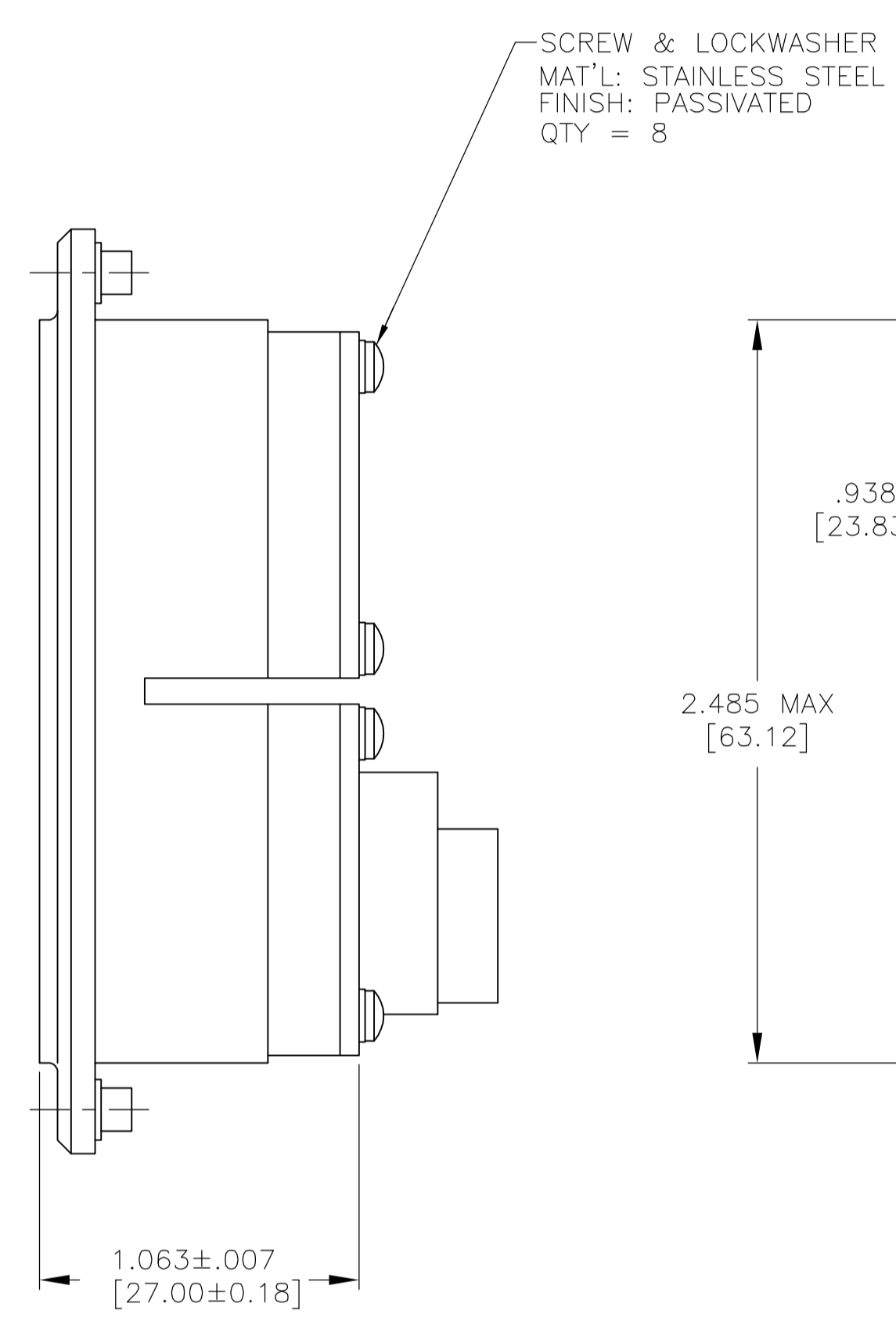
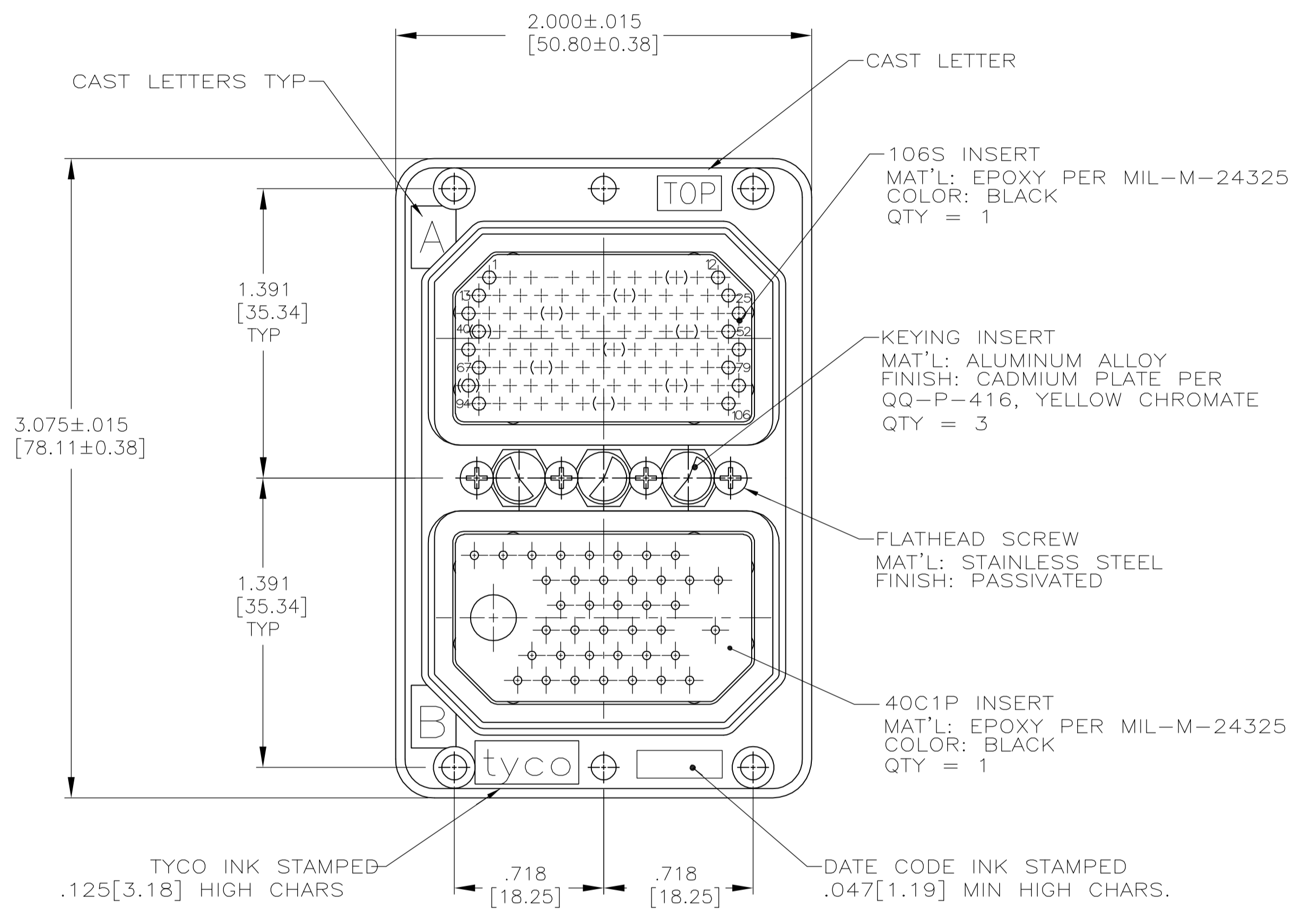
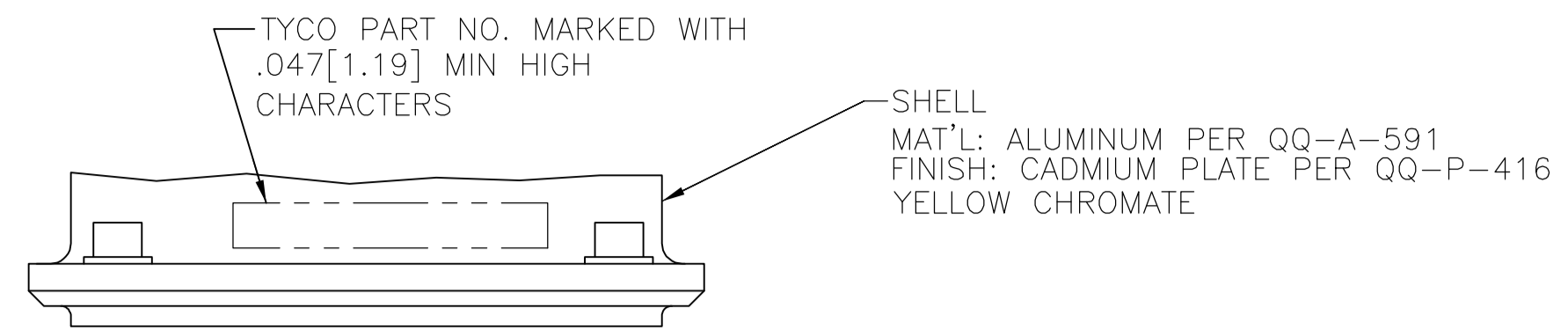


LOC		DIST		REVISIONS			
P	LTR	DESCRIPTION	DATE	OWN	APVD		
A		REV PER ECO 06-14919	6-23-06	CT	DE		



- CONTACTS ARE SHIPPED UNASSEMBLED WITH CONNECTOR.
- KEYING INSTALLED IN POSITION "44".

1757337-1  
PART NUMBER

THIS DRAWING IS A CONTROLLED DOCUMENT.		DWG C.C.THOMAS	18JAN05	<b>tyco</b> Electronics	Tyco Electronics Corporation Harrisburg, Pa 17105-3608	
DIMENSIONS: INCHES [mm]		CHK LARRY OH	1-18-05		APVD LARRY OH	1-18-05
TOLERANCES UNLESS OTHERWISE SPECIFIED:		0 PLC ± -		APPLICATION SPEC		SIZE A1
1 PLC ± -		1 PLC ± -		RESTRICTED TO		SCALE 2:1
2 PLC ± -		2 PLC ± -		CUSTOMER DRAWING		SHEET 1 OF 1
3 PLC ± -		3 PLC ± -		WEIGHT		REV A
4 PLC ± -		4 PLC ± -		MATERIAL SEE CALLOUTS		
ANGLES ± -		FINISH SEE CALLOUTS		DRAWING NO. 00779		
		CUSTOMER DRAWING		DRAWING NO. 1757337		

单击下面可查看定价，库存，交付和生命周期等信息

[>>TE Connectivity\(泰科\)](#)