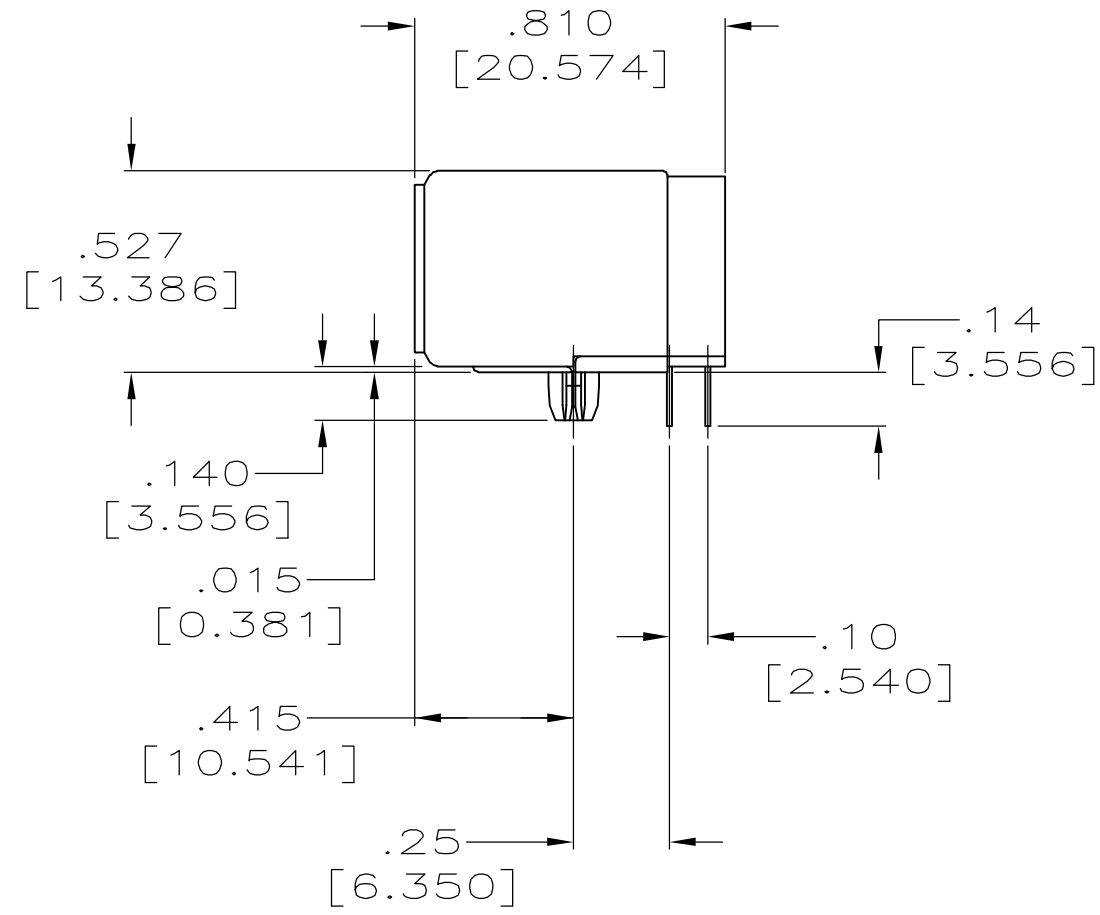
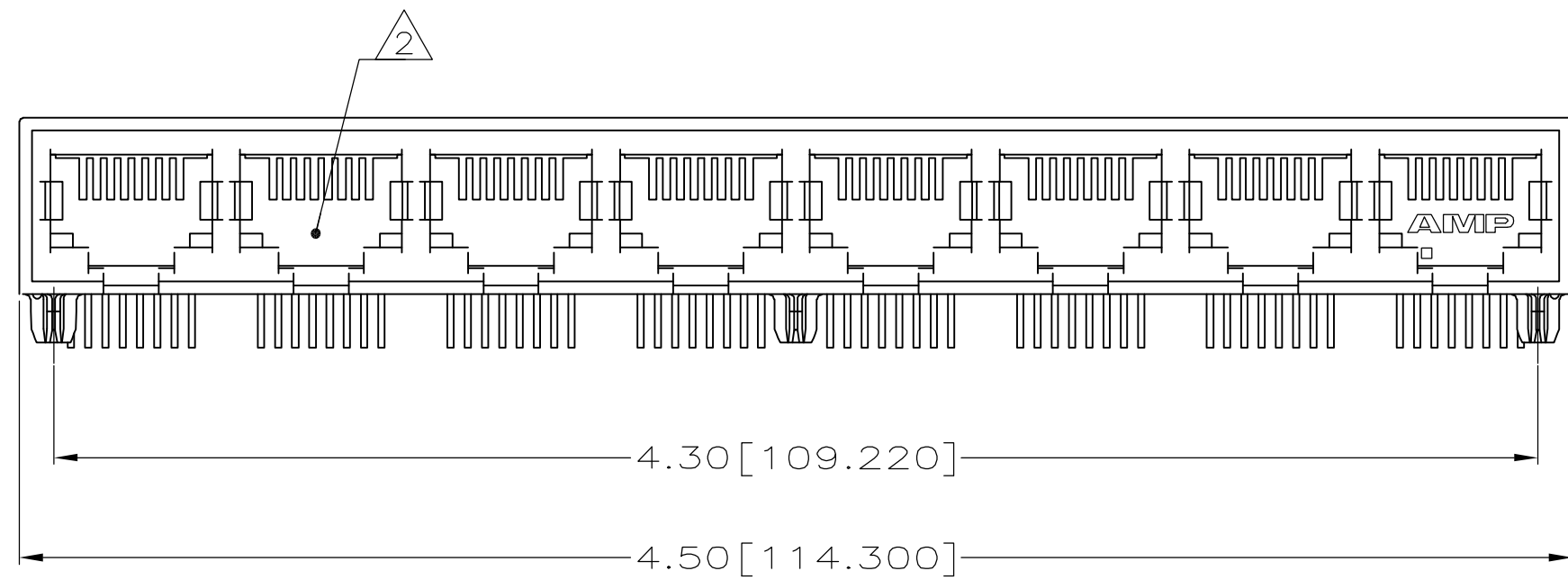
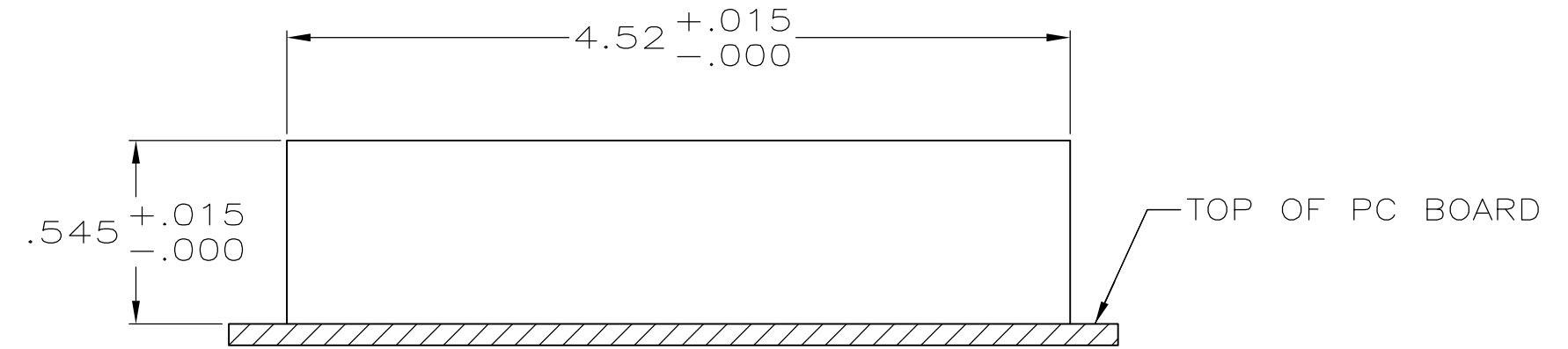
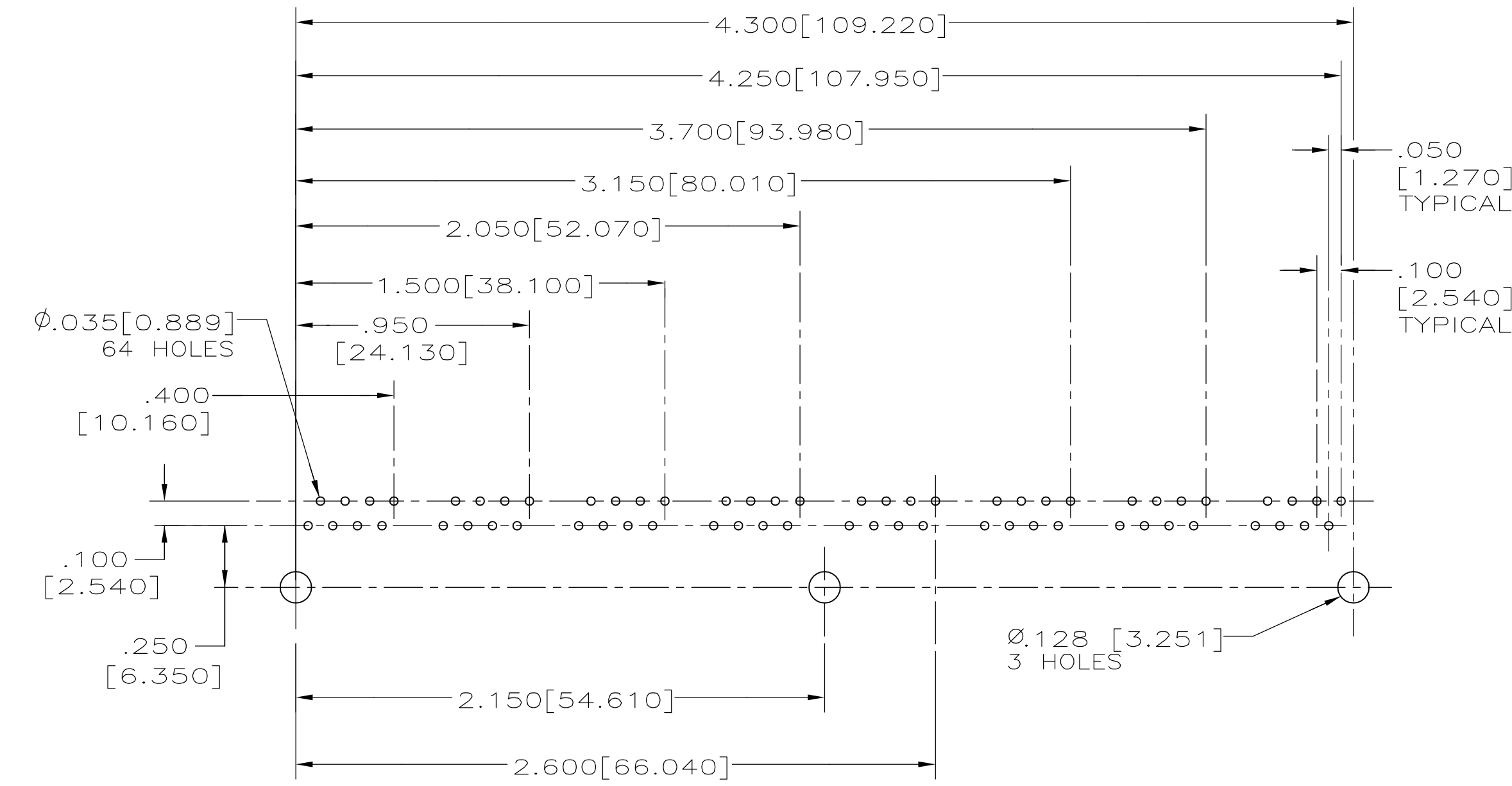


THIS DRAWING IS UNPUBLISHED. RELEASED FOR PUBLICATION
 © COPYRIGHT BY TYCO ELECTRONICS CORPORATION. ALL RIGHTS RESERVED.

| LOC | DIST | REVISIONS | | | | | |
|-----|------|-----------|-----|-------------------------|-----------|-----|------|
| AA | 22 | P | LTR | DESCRIPTION | DATE | DWN | APVD |
| | | A | | REV PER EC 0S11-0201-04 | 15JUN2005 | GA | SF |



- 1. MATERIAL: HOUSING—HTN NYLON, BLACK, IR REFLOW PROCESSING COMPATIBLE, UL 94V-0. TERMINALS—.013[0.33] THICK PHOS BRONZE PLATED WITH .000050 [1.27μm] THICK HARD GOLD IN LOCALIZED AREA AND .000150 [3.18μm] THICK MATTE TIN IN SOLDER AREA OVER .000050 [1.27μm] THICK NICKEL UNDERPLATE.
- 2. JACK CAVITY CONFORMS TO FCC RULES AND REGULATIONS, PART 68 SUBPART F.
- 3. ALL DIMENSIONS SHOWN ARE NOMINAL UNLESS OTHERWISE SPECIFIED.
- 4. ALL DIMENSIONS SHOWN IN BRACKETS [] ARE IN MILLIMETERS.



SUGGESTED PANEL CUTOUT
NOT TO SCALE

SUGGESTED PC BOARD LAYOUT
COMPONENT SIDE
SEE APPLICATION SPECIFICATION

5557566-1
PART NO.

| | | | | | | |
|---|--|--|--------------------------|--------------------|---|--------------------|
| THIS DRAWING IS A CONTROLLED DOCUMENT. | | DWN G. ATTADIA - DOCK5 15JUN2005 | tyco Electronics | | Tyco Electronics Corporation Harrisburg, PA 17105-3608 | |
| DIMENSIONS: inches [mm] | | CHK J. WESTMAN 15JUN2005 | NAME S. FLICKINGER | | MODULAR JACK ASSEMBLY, EIGHT PORT, 8 POSITION, RIGHT ANGLE | |
| TOLERANCES UNLESS OTHERWISE SPECIFIED: | | APVD S. FLICKINGER 15JUN2005 | PRODUCT SPEC 108-1392 | | SIZE A2 | |
| 0 PLC ± - | | APPLICATION SPEC 114-2048 | | CAGE CODE 00779 | DRAWING NO C=5557566 | RESTRICTED TO - |
| 1 PLC ± - | | WEIGHT - | | SCALE 2:1 | | SHEET 1 OF 1 |
| 2 PLC ± .01[0.254] | | CUSTOMER DRAWING | | REV A | | |
| 3 PLC ± .005[0.127] | | | | | | |
| 4 PLC ± - | | | | | | |
| ANGLES ± - | | | | | | |
| FINISH | | | | | | |

单击下面可查看定价，库存，交付和生命周期等信息

[>>TE Connectivity\(泰科\)](#)