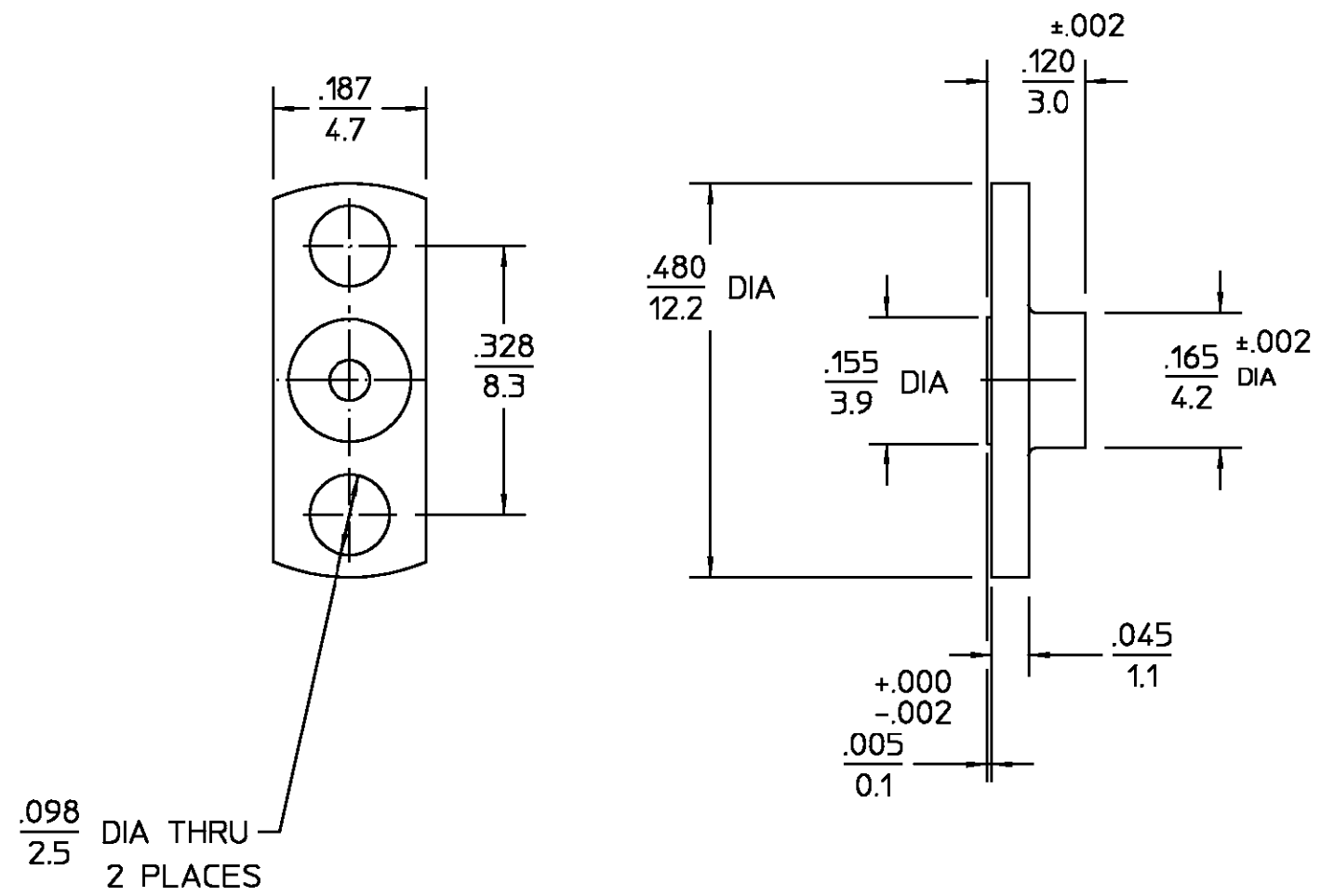


REVISIONS			
REV	DESCRIPTION	DATE	APPROVED
02 ₀	REVISED	10/16/95	DPG 10/19/95



SHROUD	STAINLESS STEEL PER ASTM-A484 AND ASTM- A582, TYPE 303	PASSIVATE PER QQ-P-35
COMPONENT	MATERIAL	FINISH
UNLESS OTHERWISE SPECIFIED DIMENSIONS ARE IN INCHES TOLERANCE ON FRAC. DEC. ANGLES ± 1/64 ±.005 ± °	DRAWN BY <i>J. Davis</i> DATE 03/13/95 CHECKED BY APP'D BY <i>J. Davis</i> 03/13/95	AMP Incorporated 140 Fourth Avenue Waltham, MA 02451-7599
These drawings and specifications are the property of M/A-COM Incorporated and shall not be reproduced or copied or used in whole or in part as the basis for the manufacture or sale of item(s) without written permission.	USE ASS'Y PROCEDURE 408-04752 NO. AP. (29-006)	TITLE OSMP SHROUD LIMITED DETENT SIZE B CODE IDENT NO. 26805 2998-5028-02 REV 02 ₀ SCALE 5:1 SHEET 1 OF 1

.XXX = in
XX.X = mm

CUSTOMER DRAWING

AMP PART # 1056729-1
SHEET 1 OF 1 REV A

单击下面可查看定价，库存，交付和生命周期等信息

[>>TE Connectivity\(泰科\)](#)