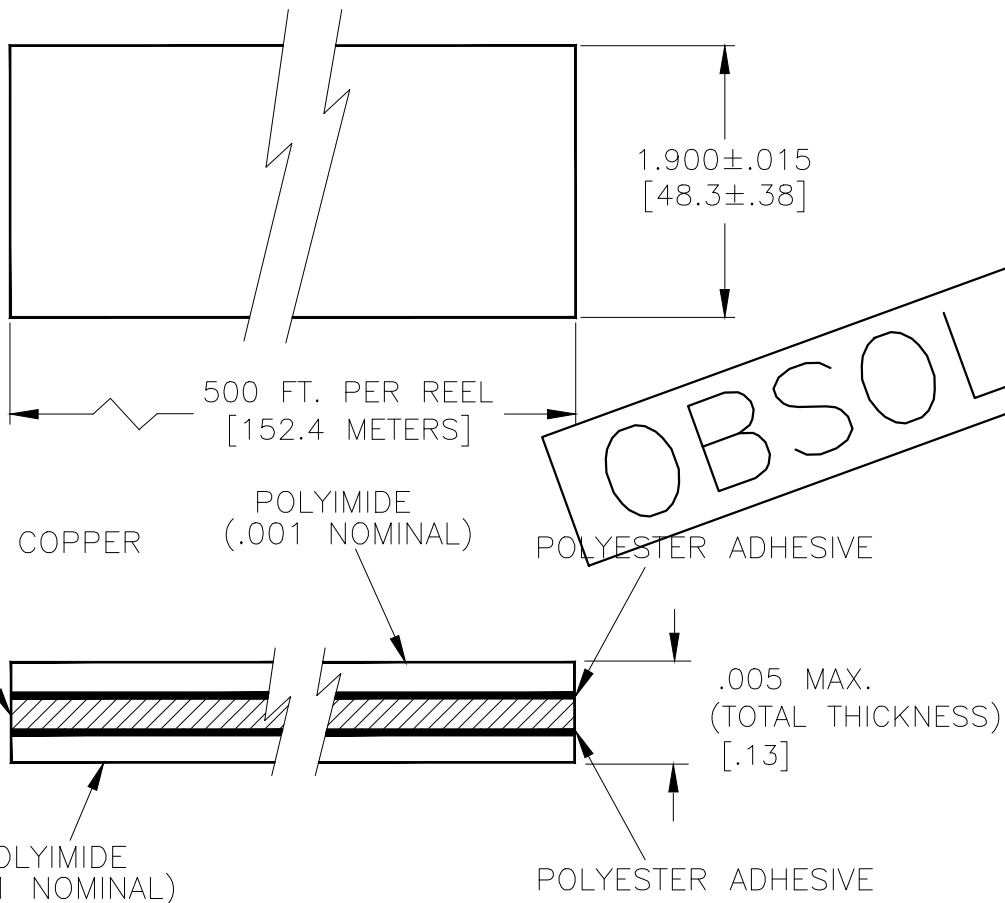


THIS DRAWING AND THE INFORMATION SET FORTH HERE-ON ARE THE PROPERTY OF TYCO ELECTRONICS AND ARE TO BE HELD IN TRUST AND CONFIDENCE. PUBLICATION, DUPLICATION, DISCLOSURE, OR USE FOR ANY PURPOSE NOT EXPRESSLY AUTHORIZED IN WRITING BY TYCO ELECTRONICS IS PROHIBITED.

REVISIONS			
LTR	DESCRIPTION	DATE	APPROVED
C	OBS PER ECO 18-000682	CT	6-28-18
			HA




NOTES:

1. PACKAGE: 500 FEET PER REEL.
2. LENGTH TOLERANCE: $\pm 2\%$
3. WHEN INSTALLED IN DIRECT CONTACT WITH FLAT CONDUCTOR CABLE, SURFACE TRANSFER IMPEDANCE LEVEL IS APPLICATION DEPENDENT.
4. THIS PRODUCT IS DESIGNED TO MEET THE REQUIREMENTS OF TYCO ELECTRONICS/RAYCHEM SPECIFICATION C-6119, QUALIFICATION IS PENDING.
5. SEE PAGE #2 FOR SPECIFIC CUSTOMER'S FOLDING REQUIREMENTS PRIOR TO EACH SHIPMENT.



Raychem MTC
CUSTOMER DRAWING

©2010-2011 Tyco Electronics. All rights reserved.

UNLESS OTHERWISE SPECIFIED DIMENSIONS ARE IN INCHES. METRIC DIMENSIONS ARE IN BRACKETS. DECIMALS .XXX ± .010 [— mm] .XX ± .03 [— mm] ANGLES .X — ± — WEIGHT: 5.74g(0.0127 Lbs) / ft. MAXIMUM	DRAWN	ZS.O.	Dec/21/09	 <p>Tyco Electronics 300 Constitution Drive Menlo Park, CA 94025 U.S.A</p>		
	CHECKED					
	APPROVED					
	APPROVED	M.HIGGY	Feb/1/2010			
	CAD NAME			TITLE		
	CHA-0045CS2982			1.900 INCH WIDE SHIELD FOR FLAT CABLE, COPPER-POLYIMIDE LAMINATE, 2 SIDES		
THIRD ANGLE PROJECTION			SIZE	CAGE CODE:	DWG. NO.	REV
	Downloaded From 		1	06790	CHA-0045CS2982	C
			SCALE: NONE	SHEET 1 OF 2		

Fold Endurance

5.1 Test Procedure and Acceptance :

7 samples at 6 inch length each of the shield material shall be used for performing this folding test. The sample shall be folded at a right angle as shown in Figure 1 and placed on horizontal surface between two smooth surfaced flat metal plates.

A load (weight/force) of 30 ± 1 lbf/in² shall be placed over the triangular area of the fold for a 15 minute duration. The specimen shall then be unfolded and the equivalent load applied to the unfolded, creased portion of the specimen for 15 minutes. This cycle of folding and unfolding shall be repeated once more, with the fold at the same place and in the same direction.

5.2 Inspection Criteria at the Folded Area

The specimen shall then be inspected at the folding area using the naked eye for evidence of cracks or delamination of the Polyimide layer and copper layer. There shall be no evidence of cracks or delamination of the Polyimide layer and copper layer. Delamination will be cause for rejection.

Stretching of the Polyimide layer, at the fold line characterized by an opaque line is acceptable as long as the width of the opaque line does not exceed 0.020 inches in width, see figure 2.

5.3 Inspection Criteria Outside the Folded Area:

The specimen shall be inspected for interior voids and delamination outside the folding area. The total areas of any evidence of Interior voids, or delamination between the Polyimide layers and copper layer should not exceed 0.001 inch square in an area of one inch square of the shield material. Otherwise the material will be rejected.

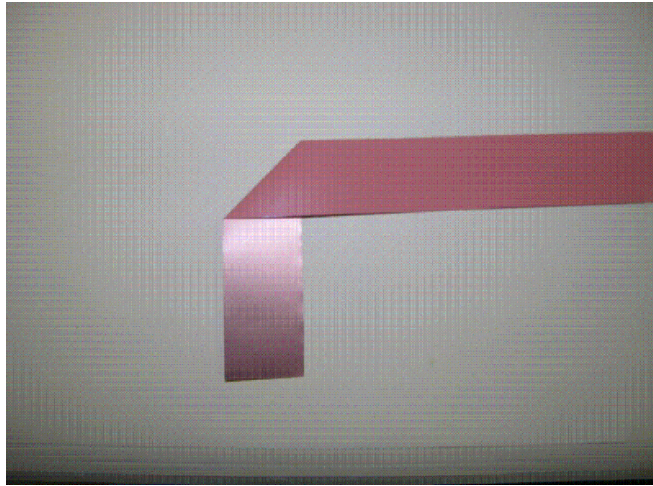


Fig 1

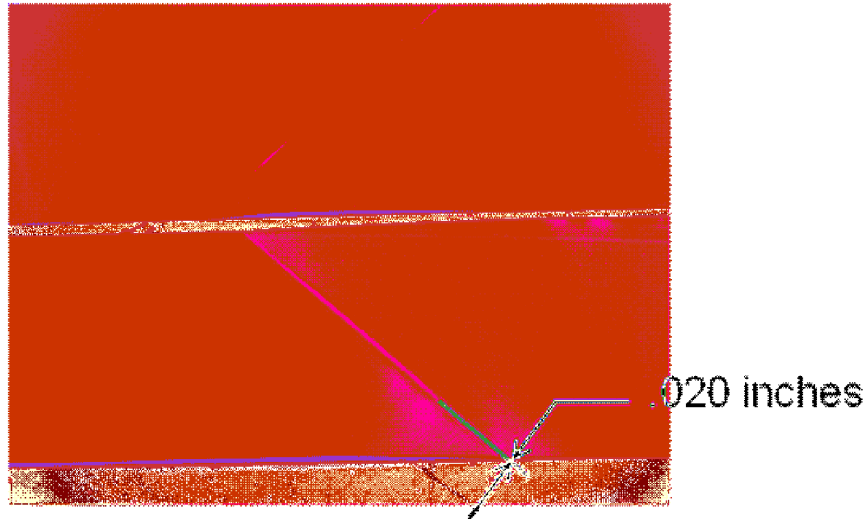


Fig 2

Raychem MTC
PRODUCTION DRAWING

DRAWN	ZS.O. Feb/1/2010	THIRD ANGLE PROJECTION	Downloaded From Oneyac.com	SIZE A	CAGE CODE: 06790	DWG. NO. CHA-0045CS2982	REV B
				SCALE: NONE		SHEET 2 OF 2	

单击下面可查看定价，库存，交付和生命周期等信息

[>>TE Connectivity\(泰科\)](#)