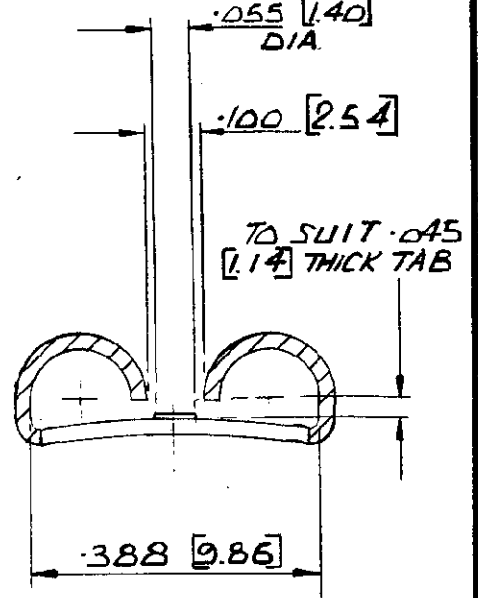
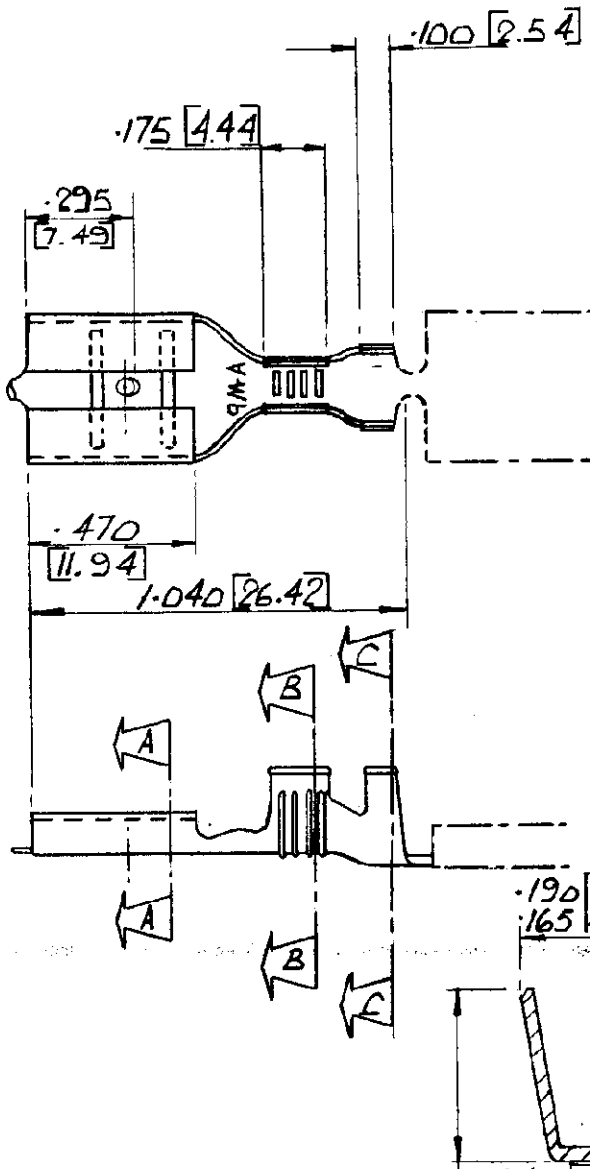


C-150530

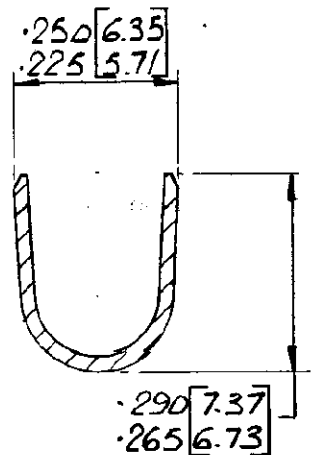
3rd ANGLE (AMERICAN) PROJECTION

1 DIMENSIONS IN INCHES. DO NOT SCALE PRINT DIMENSIONS THUS [] IN MM.

2 PREPRODUCTION ONLY- FASR REQUIRED.



SECTION A-A
SCALE: 4:1



SECTION C-C
SCALE: 4:1

150530-3	2 NICKEL	BRASS	-
150530-2	NONE	PHS. BRZ.	-
150530-1	ELECT-TIN	BRASS	150270-1
150530	NONE	BRASS	150270
PART N°	FINISH	MATERIAL	LOOSE PIECE

SECTION B-B
SCALE: 4:1

AB	REVISD PER ECR-18-010805	BDA	DH	18JUL2018
F1	REVISD PER ECO-11-005294	RK	HMR	12APR11
LTR	REVISION RECORD	DR	CHK	DATE

MATERIAL AND FINISH .020 [0.51] STOCK THICKNESS SEE TABLE		TE Connectivity CLASS WT-R TYPE AUTOMATIC	
WIRE - RANGE - INSULATION 2-6mm ² .160-.210		LOC E	NO A C-150530
TOLERANCE EXCEPT AS NOTED ± .015 [0.38] ± 1°	SCALE 2:184:1	REV AB	NAME EASTON RECEPTACLE '375 [9.52] SERIES'

DR	C. SLOUGH	DE	
CHK	K. STEVENS 11/17/10	APP	[Signature] 9/78

单击下面可查看定价，库存，交付和生命周期等信息

[>>TE Connectivity\(泰科\)](#)